



Raccolta Carta

Producenten forbeholder sig ret til at foretage ændringer i produktet, frigive firmwareopdateringer og opdatere denne manual til enhver tid. Illustrationer af produktet, tilbehør og app-interface er kun til referenceformål. Det faktiske produkt og funktionerne kan variere. Gå til navimow.segway.com for den komplette **brugervejledning** og den juridiske erklæring.

CE.00.0041.72-G

Navimow Important Information

Read and understand all the safety warnings and maintenance methods before use.
DO NOT discard this manual as it is a permanent part of this product.

EN	Important Information	2
DE	Wichtige Informationen	20
FR	Informations importantes	36
IT	Informazioni importanti	52
NL	Belangrijke informatie	68
SV	Viktig information	84
FI	Tärkeitä tietoja	100
NO	Viktig informasjon	116
DA	Vigtig information	132

Table of Contents

1 Safety Warnings	3
2 Parts and Functions	6
3 Maintenance	8
4 Limited Warranty	11
5 EC DECLARATION OF CONFORMITY	15
6 UKCA DECLARATION OF CONFORMITY	16
7 Certifications	17
8 Contact Us	18

1 Safety Warnings

IMPORTANT

READ CAREFULLY BEFORE USE KEEP FOR FUTURE REFERENCE

- 1) Be sure to install and operate the Navimow (referred to as the mower in the manual) and the charging station according to the instructions. Go to navimow.segway.com for the complete User Manual and the latest user materials.
- 2) The product can be used both by consumers and for professional purposes. Using the mower for purposes other than mowing can bring serious injury. To avoid risks of injuries, please read and understand all the warnings and cautions. Please understand that you can reduce the risk by following the instructions and warnings in this manual, but you cannot eliminate all the risks. The operator or user is responsible for accidents or hazards occurring to other people on their property.
- 3) Navimow has many built-in safety sensors, however, safety risks still exist. Set a mowing time when there are no people or pets on the lawn. Inform the neighbors about the risks for accidents or hazards. When using the mower on a public lawn, or when your lawn is open to your neighbor or street, protect or fence the lawn, or put up a warning sign around the working area that says: WARNING! Automatic lawnmower! Keep away from the machine! Supervise children!
- 4) DO NOT modify the mower by yourself. Modifications could interfere with mower operations, result in serious injury and/or damage, or void the Limited Warranty. Use only Segway approved parts and accessories.
- 5) The manufacturer recommends the user to be 18–70 years old. Be sure to get the necessary training before operating the machine.

⚠ WARNING

Never allow children, persons with reduced physical, sensory or mental capabilities or lack of experience and knowledge or people unfamiliar with these instructions to use the machine. Local regulations may restrict the age of the operator.

Before Mowing:

- Regularly check that all parts of the mower can function normally.
- For the best mowing results, it is recommended to mow in dry weather. Mowing in the rain can make the grass stick on the product and the mower may slip. DO NOT mow in bad weather, such as heavy rain, thunderstorm or snow.
- Periodically inspect the area where the machine is to be used and remove all stones, sticks, wires, bones, and other foreign objects. The Limited Warranty does not cover damages caused by objects left on the lawn.
- To avoid possible damage, keep the operating mower at least 1 m (3 feet) away from sprinkler heads. The mower and the sprinkler should NOT work simultaneously. Time the mower so that it works at a different time from the sprinkler.
- NEVER allow children to touch the power supply unit, charging station, blades, the battery compartment, or any parts with gaps such as the wheels.

⚠ WARNING

Never operate the machine and/or its peripherals with defective guards or shields, or if the cord is damaged or worn.

When Mowing:

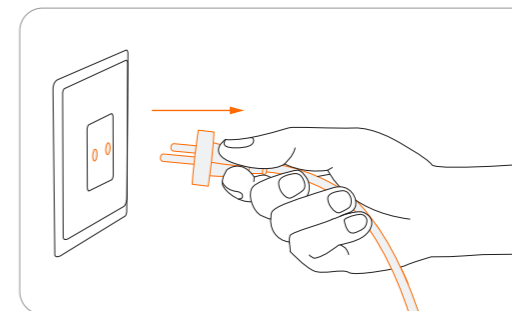
- Keep away from the rotating blades! DO NOT put hands or feet under or near the rotating blades.
- Watch out for throwing objects! Keep a safe distance from the mower when operating.
- DO NOT leave the machine to operate unattended if you know that there are pets, children or people in the vicinity.
- DO NOT overreach. Keep your balance at all times and always be sure of the footing on slopes. Walk, never run while operating the machine or its peripherals.

⚠ WARNING

- DO NOT allow children to be in the vicinity or play with the machine when it is operating.
- DO NOT lift the mower in operation. DO NOT ride on the mower.
- DO NOT mow on areas with slopes steeper than the maximum incline inside the working area (45%), as well as the boundary (10%).
- If the mower makes an abnormal sound or signals an alarm, press the STOP button immediately.
- If there are abnormal vibrations, turn off the mower, place it on level ground for about 30 seconds and then restart. If the issue persists, contact authorized after-sales service.
- DO NOT touch moving hazardous parts before they have come to a complete stop.

Safe Usage:

- DO NOT operate the mower outside the temperature limits: -10–50°C (14–122°F), because low/high temperatures can decrease mower performance and even lead to accidents.
- DO NOT place anything on the mower or the charging station.
- It is recommended to conduct regular maintenance of the mower (see *Maintenance*) by an adult.
- Regularly check the warning devices to ensure they are effective. These devices include the buzzer, the LED light on the charging station, and the ambient light on the mower.
- Before charging, please read *How to Charge* in User Manual. Improper use may cause electric shock, overheating, or leakage of corrosive liquid.
- If the cord on the power supply or the extension cable becomes damaged or entangled during use, disconnect the power supply from the power socket and then untangle. To avoid a hazard, pull the body of the plug rather than the cord when separating the power supply from the power socket. Contact after-sales service and have a professional technician to repair or replace the cord.



Symbols and Decals

Please study the symbols on the product and labels carefully and understand their meaning:



⚠ WARNING-Read instruction manual before operating the machine.



⚠ WARNING-Do not touch rotating blade.



⚠ WARNING-Keep a safe distance from the machine when operating.



⚠ WARNING-Do not ride on the machine.



⚠ WARNING-Operate the disabling device before working on or lifting the machine*.
*Make sure the mower is locked by the PIN code before lifting or operating.



⚠ WARNING-It is not permitted to dispose of this product as normal household waste. Ensure that the product is recycled in accordance with local legal requirements.

5
EN



This product conforms to the applicable EC Directives.



This product conforms to the regulations of Restriction of Hazardous Substances.



Before charging, read the instructions.



This product conforms to the applicable UK legislation.



Polarity of the charging port



Class II appliance



SMPS incorporating a short-circuit-proof safety isolating transformer (inherently or non-inherently)



SMPS (Switch mode power supply unit)



DoE Level VI efficiency



The maximum altitude of use is 5000m



IP55/IP66

ta: 40°C

The maximum temperature of use is 40°C



Direct current



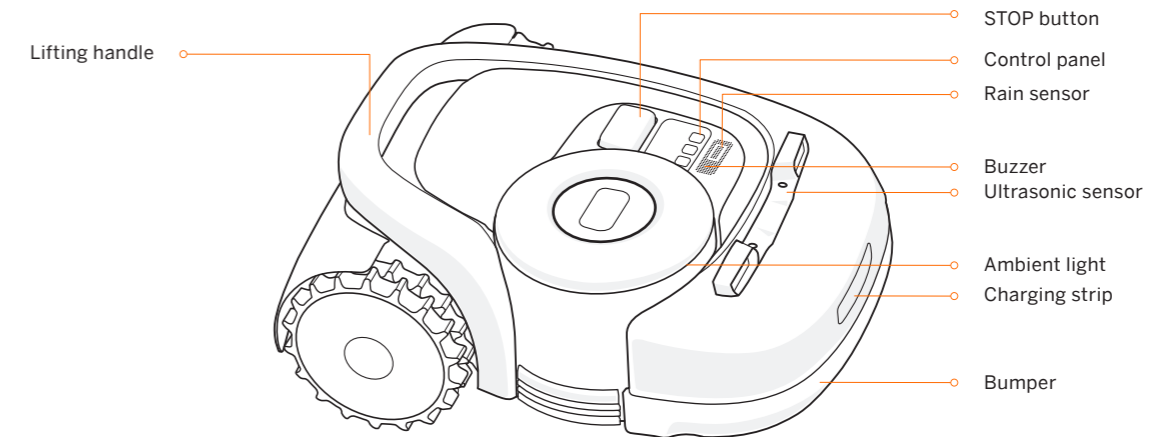
Alternating current



Class III appliance

2 Parts and Functions

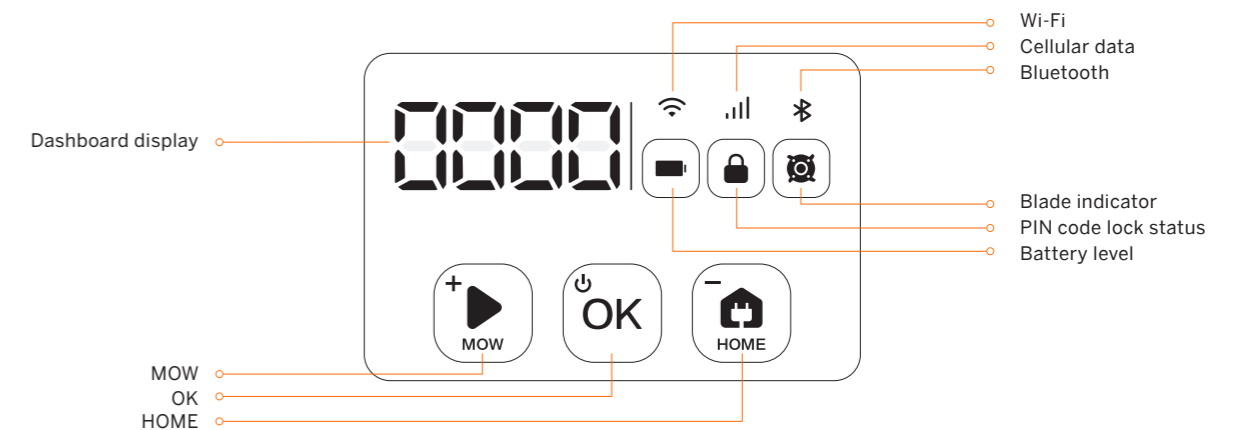
Top view



Ambient light: When an abnormality occurs, the LED ring flashes red along with a ringing buzzer.

Ultrasonic sensor: Certain models are equipped with an Ultrasonic sensor. The sensor is also sold separately and can be installed on all Navimow models. Consult your dealer for details.

Control panel



Battery level: The color indicates the battery level: 50%–100% solid green, 20%–49% solid yellow, 5%–19% solid red, ≤5% red flashing. When the battery icon is red, the mower needs recharging.

Dashboard display: It shows the mowing percentage, PIN code, error code, etc.

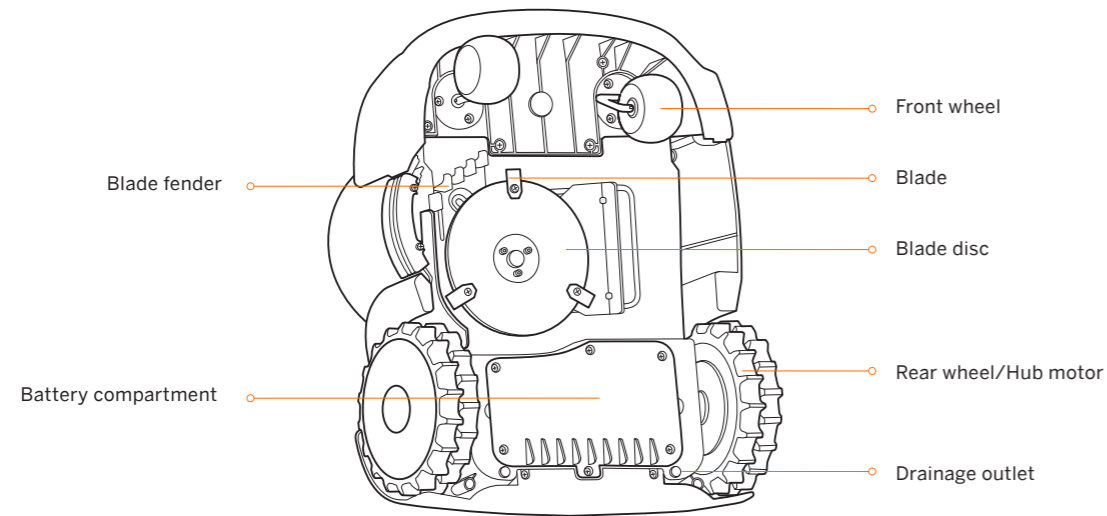
PIN code: Before manually operating the mower, you must enter the PIN code. The default code is 0000, and can be changed via the Navimow app (referred to as the app in this manual). Press MOW/HOME to increase/decrease the number and press OK to confirm the code.

Basic operations

- Power on: Press OK.
- Power off: Press and hold OK for 4s, or turn off via the app. The mower cannot be turned off when it's in the charging station.
- Start mowing: Press MOW and then OK.
- Stop mower operation: Press STOP.
- Mower returns to the charging station: Press HOME and then OK.

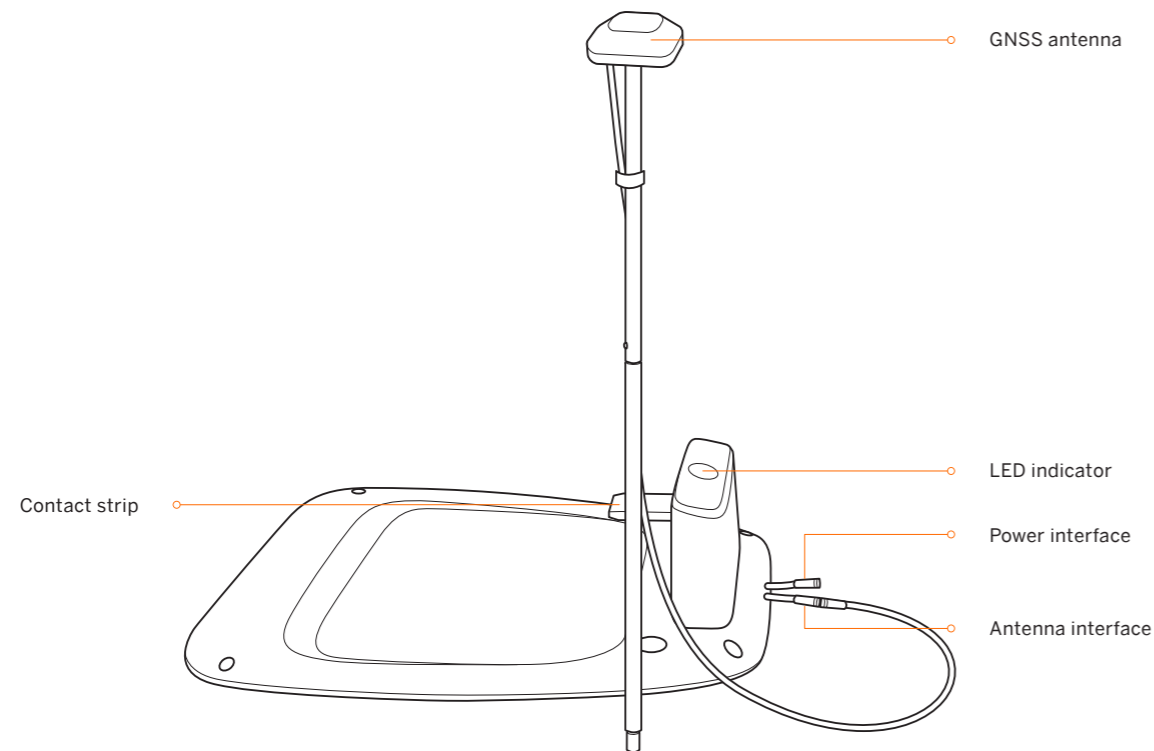
6
EN

Bottom view



Drainage outlet: If the mower falls into water, take it out immediately and put the mower right side up to drain it. Never submerge the mower in water, otherwise, the components may be damaged and the Limited Warranty will be voided.

Charging station and the GNSS antenna



NOTE: If the GNSS antenna is blocked, which results in poor signal and inaccurate positioning, please purchase the antenna extension kit and install as instructed.

3 Maintenance

To achieve better mowing results and increase the service life, be sure to keep the mower clean and the blades in good condition. Inspection and maintenance should be carried out by an adult every week. Any damaged or worn parts should be replaced. **DO NOT perform maintenance when wearing open sandals or barefoot. Always wear long trousers and work shoes when servicing the mower.**

1) Cleaning

Use a soft brush or cloth to clean the exterior of the mower thoroughly. **DO NOT** clean with alcohol, gasoline, acetone, or other corrosive/volatile solvents. These substances may damage the appearance and internal structure of your mower. For proper docking, periodically inspect and clean the charging station from debris and mud. Make sure all connecting parts of the charging station, the extension cable, and the power supply are not blocked.

A. Chassis and blade disc

If the chassis and blade disc is dirty, use a brush or a water hose to clean. **DO NOT** use a high-pressure washer. At the same time, make sure that the blade disc rotates freely and the blades can pivot freely.

CAUTION: High pressure water can leak into the sealings and damage electronic and mechanical parts.

B. Wheels

Grass on the wheels can affect how the mower performs when climbing slopes. Remove mud or other items stuck in between to ensure strong grip.

C. Rain sensor

Check once a week and make sure the rain sensor is not covered by mud, grass or other objects. You can either wash it clean or clean with a soft brush.

⚠ WARNING

- Before cleaning, make sure the mower is powered off.
- When the mower is upside down, it must be powered off.

2) Replace Blades

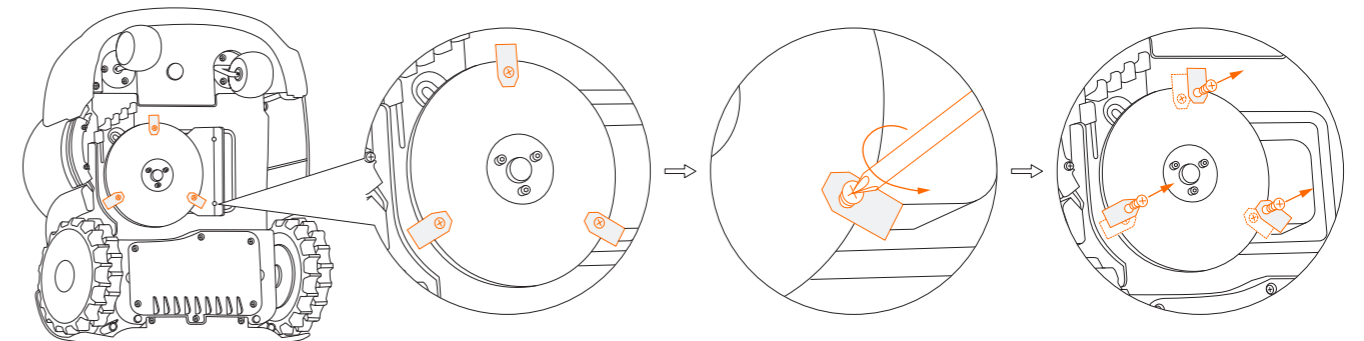
If the mower is used on a regular basis, it is recommended to replace the blades and screws every 1–2 months to ensure safety and better mowing results. Replace all three blades and their screws at the same time for a safe cutting system.

⚠ WARNING

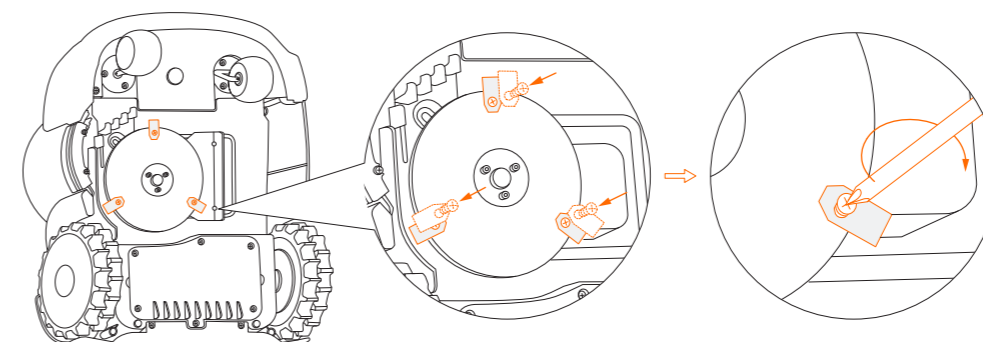
- Wear heavy gloves when you inspect or service the blade.
- Only use the right type of screws and original blades as approved by Segway. Blade model: HA002E.
- **DO NOT** reuse the screws. Doing so can cause serious injury.

How to replace the blades:

- 1 Turn off the mower.
- 2 To avoid scratching, place the mower on a soft and clean surface in an upside-down position.
- 3 Use a cross-tip screwdriver to loosen the three screws.
- 4 Remove the screws and blades.



- 5 Fasten the new blades and screws (Torque: 1 N·m). Make sure the blades can pivot freely.

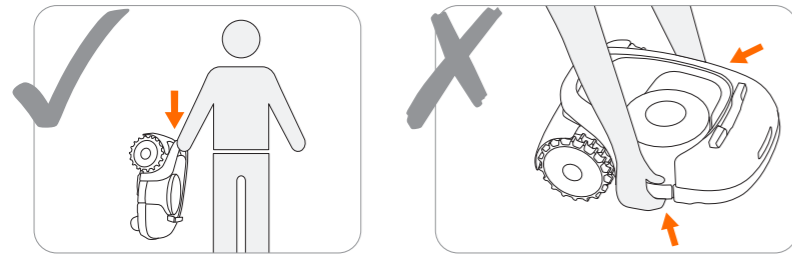


3) Transportation

To protect the mower, use the original packaging for long-distance transportation. Before lifting, moving, or otherwise transporting the product, turn it off. Handle with care and avoid violent force, such as throwing and heavy pressure. Never pick up or carry the mower while the motor is running.

How to move or lift properly:

Carry the mower by the handle, with the blade disc facing away from your body.



CAUTION:

To avoid damage to the mower and/or the charging station, DO NOT lift the product when it's parked in the charging station.

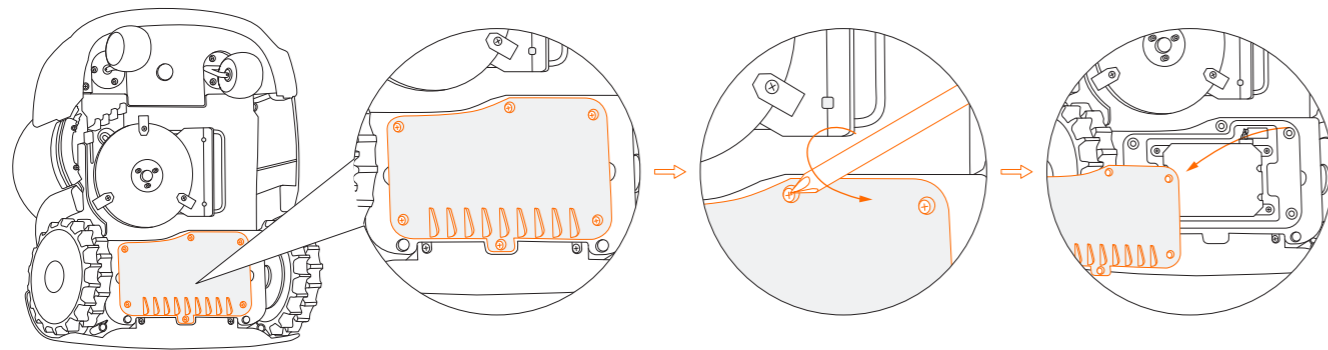
4) Battery

Fully charge the battery before storage to avoid over-discharge and damage to the electrical components. Charge the mower every 120 days for long-time storage. Battery damage caused by over-discharge will not be covered by the Limited Warranty. DO NOT use or store the battery under extreme temperature conditions, i.e., above 50°C (122°F) or below -20°C (-4°F).

NOTE: The battery life depends on how often the product operates and the total working hours. When the operation time is shorter than usual per full charge or the lawn is not well-cut, consider replacing the battery.

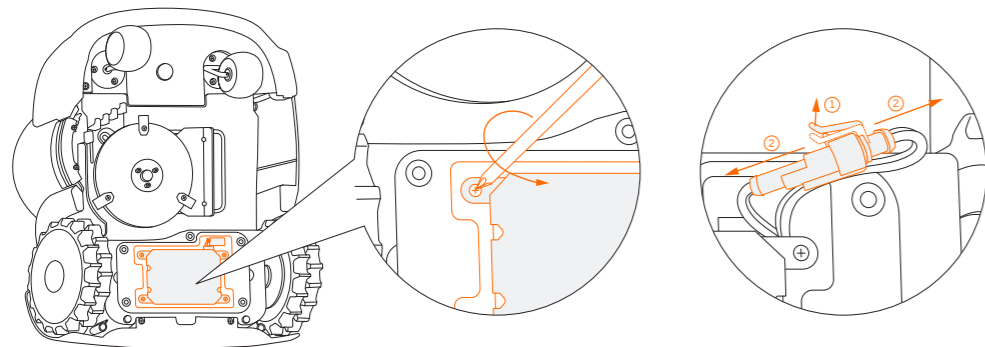
How to replace the battery:

- 1 Turn off the mower.
- 2 Place the mower on a soft and clean surface in an upside-down position.
- 3 Use a cross-tip screwdriver to loosen the 6 screws on the battery compartment.



- 4 Loosen the 4 screws in the battery compartment.

- 5 Disconnect the two plugs.



- 6 Take out the battery pack and replace it with the new one.

- 7 Connect the plugs and tighten all the screws.

⚠ WARNING

- Use only the original battery pack or that of the same model as specified by Segway. Each mower contains one battery pack.
- Depending on the specific mower model, the rated capacity of the battery is 5200 mAh, 7800 mAh, or 10400 mAh.
- Do not use non-rechargeable batteries. For the purposes of recharging the battery, only use the detachable supply unit provided with this appliance. For the European Union: use only with NBW32D002D5N - EU supply unit. For the United Kingdom: use only with NBW32D002D5N - UK supply unit.
- DO NOT dismantle or puncture the battery casing. Keep away from metal objects to prevent short circuit. Keep away from fire, heat and direct sunlight.
- For information about battery and electrical waste, please contact your household waste disposal service, your local or regional waste management office, or your point-of-sale.
- The battery pack contains electrolytes. If the electrolyte leakage comes into contact with your skin, wash off with soap and water immediately. Get medical help in case of eye contact and immediately flush the eyes with plenty of water for at least 15 minutes without rubbing.

5) Power Supply

- Disconnect the power supply:
 - Before clearing a blockage;
 - Before checking, cleaning or working on the machine;
 - After striking a foreign object to inspect the machine for damage.
- Regularly examine the cord, plug, enclosure and other parts. If any damage or signs of aging are found, stop using immediately.

⚠ WARNING

- DO NOT operate a damaged power supply. If the supply cord is damaged, it must be replaced by the manufacturer, its service agent or similarly qualified persons in order to avoid a hazard. If the extension cable is defective, please replace it with the 10-meter long cable as approved by Segway.
- DO NOT connect a damaged cord to the power supply or touch a damaged cord or extension cable before it is disconnected from the power socket. Damaged cords can lead to contact with live parts.
- DO NOT use the power supply with any other product or battery, otherwise there will be risks of personal injury, fire or electrical shock. Product safety cannot be guaranteed with other than original batteries.
- DO NOT charge when the battery is leaking.
- Keep the extension cable away from moving hazardous parts to avoid damage to the cords which can lead to contact with live parts.

Recommendation

Connect the mower and/or its peripherals only to a supply circuit protected by a residual current device (RCD) with a tripping current of not more than 30 mA.

6) Storage

- Before storage, please turn off the mower and fully charge it to avoid over-discharge, which will cause permanent damage.
- Store in a cool and dry place indoors. Exposure to sunlight and temperature extremes (both hot and cold) will accelerate the aging process of the components and may permanently damage the battery.
- Keep the mower, charging station and power supply away from heat sources (such as stoves, radiators, etc.) or chemicals. Protect the power supply from moisture and keep it in a well-ventilated place.

⚠ WARNING

When there is a risk of a thunderstorm, unplug the power supply from the power socket. Disconnect all cables and wires connecting to the charging station. Reconnect when there is no longer a risk of thunder.

Winter storage

- The mower
 - Clean the mower thoroughly before storage. Check the components subject to wear such as the blades. Repair or replace them if they are in poor condition. Store the mower in a dry and frost-free place, while standing on all wheels, preferably in the original packaging.
- The charging station
 - Unplug the power supply from the power socket and disconnect from the charging station. Take the charging station indoors and keep away from direct sunlight.

7) Recycling and End-of-life Disposal

DO NOT treat this product as domestic waste. For recycling information, contact your domestic waste service, your municipality, or point of sale.

WARNING

DO NOT dispose of this product in a landfill, by incineration, or by mixing with household trash. Danger or serious injury can occur because of the electrical components.

8) Others

- Keep all screws, nuts and bolts tight to ensure normal and safe operation.
- Tyres supplied with the product are to be mounted on the wheel by a professional repairer. Removing the wheels is complicated and incorrect assembly can lead to instability and malfunctions.
- To ensure good grip of the tread, keep the drive wheels (rear wheels) clean by removing the mud with a brush.
- The chassis compartment behind the bumper must be opened and resealed by authorized service technicians ONLY. Servicing by yourself can void the Limited Warranty.

NOTICE: INSURANCE

YOUR INSURANCE POLICIES MAY NOT PROVIDE COVERAGE FOR ACCIDENTS INVOLVING THE USE OF THIS PRODUCT. TO DETERMINE IF COVERAGE IS PROVIDED, PLEASE CONTACT YOUR INSURANCE COMPANY OR AGENT.

4 Limited Warranty

Limited Warranty and Arbitration Agreement (EMEA)

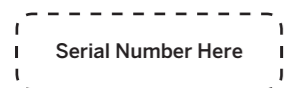
NOTICE: PLEASE READ THIS LIMITED WARRANTY AND ARBITRATION AGREEMENT AND KEEP THIS AGREEMENT FOR FUTURE REFERENCE. THIS AGREEMENT CONTAINS LIMITED WARRANTY CLAUSES FOR CONSUMERS IN EUROPE, MIDDLE EAST AND AFRICA (“EMEA”) AND ARBITRATION CLAUSES WITH RESPECT TO NAVIMOW (“PRODUCT”) AND ANY AND ALL TRANSACTION AND CLAIM RELATED TO AND/OR ARISING OUT OF THE PRODUCT.

THIS IS A BINDING LEGAL AGREEMENT (“AGREEMENT”) BETWEEN YOU (EITHER AN INDIVIDUAL OR ENTITY) AND THE MANUFACTURER (“WILLAND”), SEGWAY DISCOVERY B.V. EMEA (“SEGWAY”), AND THEIR AFFILIATES (INCLUDING BUT NOT LIMITED TO THEIR PARENT COMPANY, SUBSIDIARY, AFFILIATED COMPANIES, PREDECESSOR, SUBSEQUENT COMPANY, ADMINISTRATORS, SUCCESSORS, ASSIGNS, OFFICERS, DIRECTORS, MANAGERS, EMPLOYEES, MEMBERS, SHAREHOLDERS, AND AGENTS, ATTORNEYS, INSURERS OR REINSURERS) (COLLECTIVELY “SEGWAY PARTIES”), SEGWAY DEALERS (AS DEFINED BELOW) AND THEIR AFFILIATES (COLLECTIVELY “SEGWAY DEALERS”).

PURCHASING THE PRODUCT, OPENING THE PRODUCT PACKAGING, USING THE PRODUCT, RETAINING THE PRODUCT, EXPLOITING THE BENEFITS OF THIS AGREEMENT, OR ELECTRONIC ACCEPTANCE OF THIS AGREEMENT SHALL CONSTITUTE ACCEPTANCE OF THIS AGREEMENT. IN AN EVENT YOU, AS A PARENT(S) OR LEGAL GUARDIAN(S), PURCHASE THIS PRODUCT ON BEHALF OF OR FOR YOUR CHILDREN, YOU HEREBY CONSENT TO AND APPROVE IN ALL RESPECTS THE TERMS AND CONDITIONS OF THE AGREEMENT AND AGREE THAT BOTH YOU AND YOUR CHILDREN SHALL BE BOUND BY THIS AGREEMENT. YOU ACKNOWLEDGE AND AGREE THAT YOU RECEIVE SUFFICIENT NOTICE OF THIS AGREEMENT AND YOU AGREE TO THIS AGREEMENT.

Record your Product's Serial Number

Record your Product's Serial Number below. You can find the Serial Number on the exterior of the shipping box, or on the bottom of the Product.



1. Limited Warranty

This Limited Warranty covers only defects of any material or quality of the Product and components when the Product and components thereof are being used under normal and ordinary conditions. In the event that a defect covered by this Limited Warranty occurs, Segway and/or other Segway Parties in its sole discretion will repair or replace the defective Product or components thereof in accordance with this Limited Warranty. The applicable Limited Warranty Period for the Limited Warranty commences on the date of the original purchase of the Product from either of Segway, Segway's authorized reseller, Segway's authorized distributor, or an authorized Dealer (each a “Segway Dealer” or collectively the “Segway Dealers”).

Contacts

The Product is manufactured by Willand (Beijing) Technology Co., LTD. (“Willand”), and distributed by Segway Discovery B.V. (“Segway”).

	Name of the Component			Limited Warranty Period
Mower Body	<ul style="list-style-type: none">• Frame• Driving motor• Blade motor• Cutting height motor• Drive board module• CU board module• Charging board module	<ul style="list-style-type: none">• Sensor module• IoT board• GPS module• Hall board• Led board• Ultrasonic module• 868 Antenna	<ul style="list-style-type: none">• GPS Antenna• Blade disc assembly• GNSS antenna	3 years (H500E, H800E) 4 years (H1500E, H3000E)
Battery	<ul style="list-style-type: none">• Battery pack			2 years (H500E, H800E) 3 years (H1500E, H3000E)
Other Components	<ul style="list-style-type: none">• Power supply• Charging strips• Power supply cable• Buzzer	<ul style="list-style-type: none">• Rain sensor• Control panel/buttons• Stop button• Universal wheel	<ul style="list-style-type: none">• Antenna installation assembly• All cables	1 year
Components Subject to Wear	<ul style="list-style-type: none">• Blade• Decoration piece• Gasket• Sealing strips• Lifting handle cover• Upper cover	<ul style="list-style-type: none">• Transparent barrels assembly• Rear fender assembly• Rubber plug• Charging station assembly• Battery cover• Bumper assembly	<ul style="list-style-type: none">• Ultrasonic cover• Pegs to secure the extension cable	90 days

THIS LIMITED WARRANTY HEREIN IS THE ONLY EXPRESS WARRANTY APPLICABLE TO PRODUCT AND ITS COMPONENT PARTS, ACCESSORIES, AND SERVICE REPAIR. SEGWAY AND SEGWAY PARTIES DISCLAIM ALL OTHER EXPRESS WARRANTIES. SEGWAY AND OTHER SEGWAY PARTIES LIMIT THE DURATION AND REMEDIES OF ALL IMPLIED WARRANTIES, INCLUDING WITHOUT LIMITATION TO THE WARRANTIES OF MERCHANTABILITY AND FITNESS FOR A PARTICULAR PURPOSE, WHETHER ARISING BY LAW, COURSE OF DEALING, COURSE OF PERFORMANCE, USAGE OF TRADE OR OTHERWISE, TO THE DURATION OF THIS EXPRESS LIMITED WARRANTY. THIS LIMITED WARRANTY DOES NOT IN ANY WAY AFFECT OR LIMIT THE STATUTORY RIGHTS YOU MAY HAVE AS A CONSUMER, FOR EXAMPLE WITH RESPECT TO CONFORMITY.

2. Limited Warranty Service Process

Segway's online services are available at navimow.segway.com. During your use of the Product, you believe the Product or its component is defective and/or does not work correctly. PLEASE IMMEDIATELY STOP USING THE PRODUCT, AND STORE THE PRODUCT PROPERLY. YOUR CONTINUED USE OF THE PRODUCT UNDER SUCH CIRCUMSTANCE MAY CAUSE SEVERE BODILY INJURY OR EVEN DEATH TO YOU OR THE OTHERS AND/OR CAUSE PROPERTY DAMAGES. Thereafter, please immediately contact Segway at support-navimow@rlm.segway.com Segway's technical support personnel are available to assist you online or over the phone in diagnosing the defect, and if any, and providing further instructions. In the event the warranty services are required, please prepare for the following materials, including (i) proof of the original purchase of the Product from Segway Dealers, (ii) the Product's serial number, and (iii) a description of the defect if applicable. Upon the verification of your eligibility for the Limited Warranty protection and/or services, you should provide your name, email address, mailing address, and contact phone number to us, we will guide you to get our service. If you want to return the defective unit to service, you shall be responsible for the cost of shipping and risk of loss and damage that may occur during the shipment from you to Segway and (ii) from Segway to you. You must include your defective Product or component within the original or Segway-approved packaging, which will be provided at your cost, for shipment of the Product to Segway. You shall defend, indemnify, and hold Segway harmless any loss and/or damages that may be caused by your improper packaging or shipment of the Product or component to Segway.

An authorized service provider or Segway Dealer will inspect your returned Product. If Segway reasonably determines that the problem is not covered by the Limited Warranty, Segway will notify you and inform you of service or replacement alternatives that are available to you on a fee basis, or Segway will return your Product to you unrepaired, and in such instance, you will be responsible for the cost of shipping and insurance for shipment of your Product from Segway to you. In an event that any services is not covered by the limited warranty and you reject a paid service recommended by Segway Parties and/or Segway Dealer, you understand and acknowledge that failure to repair and/or services the Product may increase the risk of fall and/or Product failure which may result in severe property damages, severe bodily injury or death, and you agree that this is your informed consent to take such risk.

For a return eligible for the warranty protection and/or services, Segway will serve defective Products with new or reconditioned parts of the same or similar style at no cost to you for the service. Parts replaced by Segway will be retained by and become the property of Segway. In such a situation, Segway will pay reasonable return shipping charges for the return of the Product to you.

3. Limited Warranty Eligibility

- 3.1 Your service request must be received by Segway within the Limited Warranty Period as described above, and Segway must receive your Product in accordance with the Limited Warranty Service Process defined above.
- 3.2 Your Product must be purchased from an authorized Segway Dealer.
- 3.3 You must provide the original purchase receipt.
- 3.4 Your Product must have serial number legible, unobscured, untampered, and unmodified.

3.5 All tamper-resistant seals must be intact, in place, and unmodified.

4. Limited Warranty Exclusions

This Limited Warranty describes the service available to you if your product requires warranty service, and you may have additional protections under your local laws. This Limited Warranty does not cover and excludes damage to your product or any component thereof caused by:

- 4.1 Abuse, misuse, recklessness, negligence, or commercial use.
- 4.2 Improper charging, storage, maintenance, or operation of the Product not in compliance with instructions or limitations as provided in the user materials.
- 4.3 Use of the Product not in compliance with applicable laws and regulations.
- 4.4 Use of the Product by persons with inadequate experience.
- 4.5 Accident, collision, fire damage, water damage, chemical damage, use of the product outside of the product's working temperature range, high-pressure water spray, earthquake, dropping.
- 4.6 Modifications to mechanical parts, modification of electronic parts, or modifications to software embedded in the Product.
- 4.7 Service, repair, and maintenance by unauthorized providers.
- 4.8 Cosmetic damages.
- 4.9 Use of the Product with third party product, component, or accessory.
- 4.10 The normal deterioration of wear and tear parts.
- 4.11 Use of the Product with overdue wear and tear parts.

5. LIABILITY DISCLAIMER AND LIMITATION

- 5.1 SEGWAY PARTIES DO NOT ASSUME OR AUTHORIZE ANYONE TO ASSUME ON ITS BEHALF, ANY OTHER OBLIGATION OR LIABILITY IN CONNECTION WITH THE PRODUCT, ITS COMPONENT PARTS, ACCESSORIES, SERVICE REPAIR, OR THIS LIMITED WARRANTY.
- 5.2 SEGWAY PARTIES AND SEGWAY DEALERS ARE NOT RESPONSIBLE FOR ANY LOSS OF USE OF A PRODUCT, ITS COMPONENT PARTS, ACCESSORIES, OR FOR ANY INCONVENIENCE OR OTHER LOSS OR DAMAGE WHICH MIGHT BE CAUSED FROM ANY DEFECT IN A PRODUCT, ITS COMPONENT PARTS, ACCESSORIES, SERVICE REPAIR, OR FOR ANY OTHER INCIDENTAL OR CONSEQUENTIAL DAMAGES YOU MAY HAVE AS A RESULT OF ANY DEFECT IN A PRODUCT, ITS COMPONENT PARTS, ACCESSORIES, OR SERVICE REPAIR. SOME COUNTRIES DO NOT ALLOW THE EXCLUSION OR LIMITATION OF INCIDENTAL OR CONSEQUENTIAL DAMAGES, SO THE ABOVE LIMITATION OR EXCLUSION MAY NOT APPLY TO YOU TO THE EXTENT THAT IT IS DISALLOWED BY APPLICABLE LAW.
- 5.3 IN NO EVENT , SEGWAY PARTIES AND SEGWAY DEALERS' TOTAL AND AGGREGATE LIABILITY FOR ALL CLAIMS UNDER ANY AND ALL APPLICABLE LAW OR THEORY, JOINTLY OR SEVERALLY, ARISING OUT OF OR RELATED TO THE PURCHASE OF THE PRODUCT, USE OF THE PRODUCT, BREACH OF CONTRACT, TORTS (INCLUDING NEGLIGENCE) OR OTHERWISE, EXCEEDS THE DUTY TO REPAIR OR REPLACE ANY DEFECTIVE PRODUCT, FURTHER SUBJECT TO SEGWAY'S SOLE AND EXCLUSIVE DISCRETION. IN NO EVENT SHALL BE SEGWAY PARTIES AND SEGWAY DEALERS BE LIABLE TO ANY PERSON FOR CONSEQUENTIAL, INDIRECT, INCIDENTAL, SPECIAL, EXEMPLARY, PUNITIVE OR ENHANCED DAMAGED ARISING OUT OF, OR RELATING TO, AND/OR IN CONNECTION WITH THE PURCHASE OF THE PRODUCT, ANY BREACH OF THIS AGREEMENT OR MANUFACTURER'S DUTIES REGARDLESS OF (A) WHETHER SUCH DAMAGES WERE FORESEEABLE, (B) WHETHER OR NOT SEGWAY OR OTHER SEGWAY PARTIES WERE ADVISED OF THE POSSIBILITY OF SUCH DAMAGES, AND (C) THE LEGAL OR EQUITABLE THEORY (CONTRACT, TORT OR OTHERWISE) UPON WHICH THE CLAIM IS BASED UNLESS SUCH LIMITATIONS AND EXCLUSIONS ARE PROHIBITED BY APPLICABLE LAW. THE FOREGOING LIMITATIONS OR EXCLUSIONS APPLY EVEN IF AN AGGRIEVED CUSTOMER OR ANY OTHER PERSON'S (WHO MIGHT HAVE RIGHT OR CLAIM UNDER THIS AGREEMENT BY OPERATION OF LAW OR EQUITY) REMEDIES UNDER THIS AGREEMENT FAIL THEIR ESSENTIAL PURPOSE. IN THE EVENT SOME COUNTRIES DO NOT ALLOW THE EXCLUSION OR LIMITATION OF CERTAIN OR ALL OF THE FOREGOING DAMAGES, SO TO THE EXTENT THAT SUCH LIMITATIONS OR EXCLUSIONS ARE NOT ALLOWED BY LAW, THEY MAY NOT APPLY TO YOU. SOME COUNTRIES DO NOT ALLOW THE EXCLUSION OR LIMITATION OF INCIDENTAL OR CONSEQUENTIAL DAMAGES, SO TO THE EXTENT THAT SUCH LIMITATIONS OR EXCLUSIONS ARE NOT ALLOWED BY LAW, THE ABOVE LIMITATION OR EXCLUSION MAY NOT APPLY TO YOU.
- 5.4 To the extent permitted by applicable law, SEGWAY PARTIES and SEGWAY DEALERS hereby DISCLAIM any liability and thereby shall not be responsible for any damages, including but not limited to death, bodily injury, or damages to property, arising out of or related to any conduct (including misconduct), action, inaction, act (including failure to act), omission or negligence by any authorized or unauthorized dealer, distributor, wholesaler, retailer, service provider or third party that involves into the distribution of Product or the services thereto. To the extent permitted by applicable law, the explicit representations and warranties, if any, provided herein, shall be the only warranties and representations made by SEGWAY PARTIES to YOU, any consumer, and/or end-user. and SEGWAY PARTIES shall not be responsible for any other warranties and/or representations that may be given and/or provided by another person unless SEGWAY PARTIES have in a written form explicitly authorized such additional warranty and/or representation to be given to consumer or end-user.

6. Claims, Dispute Resolution and Arbitration

THE CLAUSES CONTAINED HEREIN ARE LEGALLY BINDING BETWEEN YOU (EITHER AN INDIVIDUAL OR ENTITY), AND SEGWAY

DISCOVERY B.V., ITS AFFILIATES, SEGWAY PARTIES AND SEGWAY DEALERS. THE CLAUSES CONTAINED HEREIN MAY AFFECT YOUR RIGHTS, AND IT IS YOUR RESPONSIBILITY TO READ THE FOLLOWING SECTIONS. YOU CAN OPT OUT OF THE AGREEMENT WITHIN 30 CALENDAR DAYS OF THE FIRST CONSUMER PURCHASE BY EMAILING OPTOUT@SEGWAY.COM AND PROVIDING THE APPLICABLE INFORMATION. FOR MORE DETAILS, PLEASE SEE SECTION 6.2.

6.1 Binding Arbitration

Segway Parties, Segway Dealers and you agree that any dispute, controversy or claim arising out of, relating to or in connection with this agreement, the limited warranty, the sale, condition or performance of the product, whether based in contract, tort, fraud, misrepresentation, or any other legal theory at law or in equity, including but not limited to any claims for death, injury or property damages, shall be governed by and construed in accordance with the laws of the Netherlands with the exclusion of its conflicts of law provisions, and finally resolved by the International Chamber of Commerce (ICC) under the 2021 ICC Rules of Arbitration (ICC Rules) for the time being in force, which Rules are deemed to be incorporated by reference into this clause. Further the Parties agree that:

- i. The seat of the arbitration shall be Amsterdam, Netherlands.
- ii. The Tribunal shall consist of 3 arbitrator(s).
- iii. The language of the arbitration shall be English.

Section 6 "Claims, Dispute Resolution and Mandatory Arbitration" clause shall survive upon termination or expiration of this agreement and/or limited warranty or in an event that this agreement and/or the limited warranty is held as void, avoidable, invalid, or unenforceable, either in whole or part, by a competent adjudication institution with actual authority and jurisdiction over this matter.

6.2 Opt-Out

YOU MAY OPT OUT OF THIS DISPUTE RESOLUTION PROCEDURE BY PROVIDING NOTICE TO SEGWAY or SEGWAY PARTIES NO LATER THAN THIRTY (30) CALENDAR DAYS AFTER THE DATE OF THE FIRST CONSUMER PURCHASER'S PURCHASE OF THE PRODUCT. TO OPT-OUT, YOU MUST SEND NOTICE BY EMAIL AT OPTOUT@SEGWAY.COM, WITH THE SUBJECT LINE: "ARBITRATION OPT-OUT." THE OPT-OUT NOTICE BY E-MAIL MUST INCLUDE (A) YOUR NAME, EMAIL ADDRESS, MAILING ADDRESS, AND PHONE NUMBER; (B) THE DATE ON WHICH THE PRODUCT WAS PURCHASED; (C) THE PRODUCT MODEL NAME OR MODEL NUMBER; AND (D) THE SERIAL NUMBER. ALTERNATIVELY, YOU MAY OPT OUT BY SENDING AN ELECTION TO OPT-OUT LETTER TO SEGWAY AT Dynamostraat 7, 1014BN, Amsterdam, The Netherlands. CERTIFIED MAIL WITHIN THIRTY (30) CALENDAR DAYS FROM THE DATE OF THE FIRST END USER'S PURCHASE OF THE PRODUCT FROM SEGWAY DEALER. THE OPT-OUT LETTER SHALL CONTAIN THE FOLLOWING INFORMATION: (A) YOUR NAME, EMAIL ADDRESS, MAILING ADDRESS, AND PHONE NUMBER; (B) THE DATE ON WHICH THE PRODUCT WAS PURCHASED; (C) THE PRODUCT MODEL NAME OR MODEL NUMBER; (D) THE SERIAL NUMBER; AND (E) AN STATEMENT AS FOLLOWS: THE ABOVE CONSUMER ELECTS TO OPT-OUT THE DISPUTE RESOLUTION PROCEDURE AS PROVIDED BY THIS LIMITED WARRANTY, THESE ARE THE ONLY TWO EFFECTIVE WAYS TO OPT-OUT THIS DISPUTE RESOLUTION PROCEDURE. ELECTION TO OPT-OUT THIS DISPUTE RESOLUTION PROCEDURE WILL NOT AFFECT THE COVERAGE OF THE LIMITED WARRANTY IN ANY WAY, AND YOU WILL CONTINUE TO ENJOY THE BENEFITS OF THE LIMITED WARRANTY.

6.3 Language

This Agreement may be translated into different languages. In the event of a conflict, the English version shall prevail and control.

5 EC DECLARATION OF CONFORMITY

Manufacturer

Name: Willand (Beijing) Technology Co., LTD.

Address: Room 203, A1 Bldg. Zhongguancun Dongsheng Technology Park (Northern Territory), No. 66, Xixiaokou Rd, Haidian Dist., Beijing, China.

Authorized Representative

Name: Segway Discovery B.V.

Address: Dynamostraat 7, 1014BN Amsterdam, The Netherlands

Contact Person: Antonio Rapisarda

Function: Account Director

Object of the declaration

Generic designation: Robotic Lawnmower

Product name: Navimow

Type/model: H500E/H800E/H1500E/H3000E

Serial number: S2RA x yyyy x yyyy/S2RC x yyyy x yyyy/S2RE x yyyy x yyyy/S2RT x yyyy x yyyy

("x" indicates any letter from A-Z except O and I, "y" indicates any letter from A-Z except O and I or any number from 0-9)

This Declaration of Conformity is issued under the sole responsibility of the manufacturer.

The object of the declaration described above is in conformity with the following EU Directives:

1. Radio Equipment Directive (2014/53/EU)
2. Machinery Directive (2006/42/EC)
3. RoHS Directive (2011/65/EU) and amending directive ((EU)2015/863)

Conformity with these Directives has been assessed for this product by demonstrating compliance to the following harmonized standards and/ or technical specifications:

EN 60335-1:2012+A11:2014+AC:2014+A13:2017+A1:2019+A14:2019+A2:2019

EN 50636-2-107:2015+A1:2018+A2:2020

EN IEC 61000-3-2:2019+A1:2021

ETSI EN 301 908-1 V13.1.1

EN 61000-3-3:2013+A1:2019

ETSI EN 301 908-13 V13.1.1

EN IEC 55014-1:2021

ETSI EN 301 489-1 V2.2.3

EN IEC 55014-2:2021

ETSI EN 301 489 - 3 V2.2.0

ETSI EN 300 220-1 V3.1.1

ETSI EN 301 489-17 V3.2.4

ETSI EN 300 220-2 V3.1.1

ETSI EN 301 489-19 V2.1.1

ETSI EN 300 328 V2.2.2

ETSI EN 301 489-52 V1.2.1

ETSI EN 303 413 V1.1.1

ETSI EN 301 511 V12.5.1

EN 50665:2017

EN IEC 62311:2020

EN 62133-2:2017

EN IEC 63000:2018

Signed for and on behalf of: Willand (Beijing) Technology Co., LTD.

Place: Changzhou, China

Date: 22-02-2022

Name: Crystal Zhuang

Function: Certification Manager

Signature: *Crystal Zhuang*

6 UKCA DECLARATION OF CONFORMITY

Manufacturer

Name: Willand (Beijing) Technology Co., LTD.

Address: Room 203, A1 Bldg. Zhongguancun Dongsheng Technology Park (Northern Territory), No. 66, Xixiaokou Rd, Haidian Dist., Beijing, China.

Authorized Representative

Name: UKCA Experts Ltd.

Address: Dept 302, 43 Owston Road, Carcroft, Doncaster, DN6 8DA, United Kingdom

Contact Person: Ferry van Bergen Henegouw

Function: Certification Engineer

Object of the declaration

Generic designation: Robotic Lawnmower

Product name: Navimow

Type/model: H500E/H800E/H1500E/H3000E

Serial number: S2RA x yyyy x yyyy/S2RC x yyyy x yyyy/S2RE x yyyy x yyyy/S2RT x yyyy x yyyy

("x" indicates any letter from A-Z except O and I, "y" indicates any letter from A-Z except O and I or any number from 0-9)

This Declaration of Conformity is issued under the sole responsibility of the manufacturer.

The object of the declaration described above is in conformity with the following UK legislations:

1. Radio Equipment Regulations 2017
2. Supply of Machinery (Safety) Regulations 2008
3. The Restriction of the Use of Certain Hazardous Substances in Electrical and Electronic Equipment Regulations 2012

Conformity with these Directives has been assessed for this product by demonstrating compliance to the following designated standards and/ or technical specifications:

BS EN 60335-1:2012+A11:2014+AC:2014+A13:2017+A1:2019+A14:2019+A2:2019

BS EN 50636-2-107:2015+A1:2018+A2:2020

BS EN IEC 61000-3-2:2019+A1:2021

ETSI EN 301 908-1 V13.1.1

BS EN 61000-3-3:2013+A1:2019

ETSI EN 301 908-13 V13.1.1

BS EN IEC 55014-1:2021

ETSI EN 301 489-1 V2.2.3

BS EN IEC 55014-2:2021

ETSI EN 301 489 - 3 V2.2.0

ETSI EN 300 220-1 V3.1.1

ETSI EN 301 489-17 V3.2.4

ETSI EN 300 220-2 V3.1.1

ETSI EN 301 489-19 V2.1.1

ETSI EN 300 328 V2.2.2

ETSI EN 301 489-52 V1.2.1

ETSI EN 303 413 V1.1.1

ETSI EN 301 511 V12.5.1

BS EN 50665:2017

BS EN IEC 62311:2020

BS EN 62133-2:2017

BS EN IEC 63000:2018

Signed for and on behalf of: Willand (Beijing) Technology Co., LTD.

Place: Changzhou, China

Date: 22-02-2022

Name: Crystal Zhuang

Function: Certification Manager

Signature: *Crystal Zhuang*

7 Certifications

European Union Compliance Statement

Information on Disposal for Users of Waste Electrical & Electronic Equipment



This symbol on the product or on its packaging indicates that used electrical and electronic products should not be mixed with unsorted municipal waste. For proper treatment, it is your responsibility to dispose of your waste equipment by arranging to return it to designated collection points.

Disposing of this product correctly will help save valuable resources and prevent any potential negative effects on human health and the environment, which could otherwise arise from inappropriate waste handling.

To return your used device, please use the return and collection systems or contact the retailer where the product was purchased, which is free of charge, please contact your local authority for further details of your nearest designated collection point.

Penalties may be applicable for incorrect disposal of this waste, in accordance with your national legislation.

Information on Disposal for Users of used batteries



This symbol means that batteries and accumulators, at their end-of-life, should not be mixed with unsorted municipal waste. Your participation is an important part of the effort to minimize the impact of batteries and accumulators on the environment and on human health. For proper recycling you can return this product or the batteries or accumulators it contains to your supplier or to a designated collection point, which is free of charge.

Disposing of this product correctly will help save valuable resources and prevent any potential negative effects on human health and the environment, which could otherwise arise from inappropriate waste handling.

Penalties may be applicable for incorrect disposal of this waste, in accordance with your national legislation.

there are separate collection systems for used batteries and accumulators.

Please, dispose of batteries and accumulators correctly at your local community waste collection/recycling center.

Restriction of the use of certain hazardous substances (RoHS) Directive

Willand (Beijing) Technology Co., LTD. hereby declares the whole product including parts (cables, cords, and so on) meets the requirements of RoHS Directive 2011/65/EU and amendment Commission Delegated Directive (EU) 2015/863 on the restriction of the use of certain hazardous substances in electrical and electronic equipment ("RoHS recast" or "RoHS 2.0").

Radio Equipment Directive

Willand (Beijing) Technology Co., LTD. hereby declares that the product listed in this section comply with the essential requirements and other relevant provisions of the Radio Equipment Directive 2014/53/EU.

Machinery Directive

Willand (Beijing) Technology Co., LTD. hereby declares that the product listed in this section comply with the essential requirements and other relevant provisions of the Machinery Directive 2006/42/EC.

Europe Authorised Representative:



Segway Discovery B.V. Dynamostraat 7, 1014BN Amsterdam, The Netherlands.

Willand (Beijing) Technology Co., LTD. hereby declares that the product comply with the essential requirements and other relevant provisions of the RoHS Directive 2011/65/EU and amendment Commission Delegated Directive (EU) 2015/863, the Radio Equipment Directive 2014/53/EU and the Machinery Directive 2006/42/EC.

Bluetooth	Frequency Band(s)	2.4000-2.4835GHz
	Max. RF Power	20mW

UK Compliance Statement

Information on Disposal for Users of Waste Electrical & Electronic Equipment



This symbol on the product or on its packaging indicates that used electrical and electronic products should not be mixed with unsorted municipal waste. For proper treatment, it is your responsibility to dispose of your waste equipment by arranging to return it to designated collection points.

Disposing of this product correctly will help save valuable resources and prevent any potential negative effects on human health and the environment, which could otherwise arise from inappropriate waste handling.

To return your used device, please use the return and collection systems or contact the retailer where the product was purchased, which is free of charge, please contact your local authority for further details of your nearest designated collection point.

Penalties may be applicable for incorrect disposal of this waste, in accordance with your national legislation.

Information on Disposal for Users of used batteries



This symbol means that batteries and accumulators, at their end-of-life, should not be mixed with unsorted municipal waste. Your participation is an important part of the effort to minimize the impact of batteries and accumulators on the environment and on human health. For proper recycling you can return this product or the batteries or accumulators it contains to your supplier or to a designated collection point, which is free of charge.

Disposing of this product correctly will help save valuable resources and prevent any potential negative effects on human health and the environment, which could otherwise arise from inappropriate waste handling.

Penalties may be applicable for incorrect disposal of this waste, in accordance with your national legislation.

there are separate collection systems for used batteries and accumulators.

Please, dispose of batteries and accumulators correctly at your local community waste collection/recycling center.

The Restriction of the Use of Certain Hazardous Substances in Electrical and Electronic Equipment Regulations 2012

Willand (Beijing) Technology Co., LTD. hereby declares the whole product including parts (cables, cords, and so on) meets the requirements of The Restriction of the Use of Certain Hazardous Substances in Electrical and Electronic Equipment Regulations 2012.

Radio Equipment Regulations 2017

Willand (Beijing) Technology Co., LTD. hereby declares that the product listed in this section comply with the essential requirements and other relevant provisions of Radio Equipment Regulations 2017.

Supply of Machinery (Safety) Regulations 2008

Willand (Beijing) Technology Co., LTD. hereby declares that the product listed in this section comply with the essential requirements and other relevant provisions of The Safety of Supply of Machinery (Safety) Regulations 2008.

UK Authorised Representative:



UKCA Experts Ltd. Dept 302, 43 Owston Road Carcroft, Doncaster, DN6 8DA, United Kingdom

Willand (Beijing) Technology Co., LTD. hereby declares that the product comply with the essential requirements and other relevant provisions of the Restriction of the Use of Certain Hazardous Substances in Electrical and Electronic Equipment Regulations 2012, the Radio Equipment Regulations 2017 and the Supply of Machinery (Safety) Regulations 2008.

Bluetooth	Frequency Band(s)	2.4000-2.4835GHz
	Max. RF Power	20mW

The declaration of conformity can be viewed at the following address: <https://navimow.segway.com/HelpCenter>

8 Contact Us

Manufacturer: Willand (Beijing) Technology Co., LTD.

Address: Room 203, A1 Bldg. Zhongguancun Dongsheng Technology Park (Northern Territory), No. 66, Xixiaokou Rd, Haidian Dist., Beijing, China.

Contact us if you experience issues relating to the operation, maintenance and safety, or errors/faults with your mower.

Europe Authorised representative: Segway Discovery B.V., Dynamostraat 7, 1014BN Amsterdam, The Netherlands.

UK Authorised Representative: UKCA Experts Ltd., Dept 302, 43 Owston Road, Carcroft, Doncaster, DN6 8DA, United Kingdom

Website: navimow.segway.com

EN	Important Information	2
DE	Wichtige Informationen	20
FR	Informations importantes	36
IT	Informazioni importanti	52
NL	Belangrijke informatie	68
SV	Viktig information	84
FI	Tärkeitä tietoja	100
NO	Viktig informasjon	116
DA	Vigtig information	132

Inhaltsverzeichnis

1	Sicherheitswarnhinweise	21
2	Teile und Funktionen	24
3	Wartung	26
4	Beschränkte Garantie	29
5	EU-KONFORMITÄTSERKLÄRUNG	33
6	Zertifizierungen	34
7	Kontakt	34
	Übersetzung der Originalanleitungen	

The manufacturer reserves the right to make changes to the product, release firmware updates, and update this manual at any time. Illustrations of the product, accessories, and app interface are for reference purposes only. Actual product and functions may vary. Go to navimow.segway.com for the complete **User Manual** and the legal statement.

Lesen und verstehen Sie alle Sicherheitswarnhinweise und Wartungsmethoden vor dem Gebrauch.
Werfen Sie dieses Handbuch NICHT weg, da es ein fester Bestandteil dieses Produkts ist.

1 Sicherheitswarnhinweise

WICHTIG

LESEN SIE DIES VOR DEM GEBRAUCH SORGFÄLTIG

BEWAHREN SIE ES ZUM SPÄTEREN NACHSCHLAGEN AUF

- 1) Achten Sie darauf, den Navimow (im Handbuch als Mähroboter bezeichnet) und die Ladestation gemäß den Anweisungen zu installieren und zu betreiben. Das vollständige Benutzerhandbuch und die neuesten Benutzermaterialien finden Sie unter navimow.segway.com.
- 2) Das Produkt kann sowohl von Verbrauchern als auch für professionelle Zwecke verwendet werden. Die Verwendung des Mähroboters für andere Zwecke als das Mähen kann zu schweren Verletzungen führen. Lesen Sie alle Warn- und Vorsichtshinweise und verstehen Sie sie, um Verletzungsgefahren zu vermeiden. Durch Befolgung aller Anweisungen und Warnhinweise in diesem Handbuch lässt sich das Verletzungsrisiko zwar reduzieren, jedoch nicht vollständig ausschließen. Der Betreiber oder Benutzer ist für Unfälle oder Gefahren verantwortlich, die anderen Personen auf seinem Grundstück zustoßen.
- 3) Navimow verfügt über viele integrierte Sicherheitssensoren, es bestehen jedoch weiterhin Sicherheitsrisiken. Legen Sie eine Mähzeit fest, in der sich keine Personen oder Haustiere auf dem Rasen befinden. Informieren Sie die Nachbarn über die Risiken für Unfälle oder Gefährdungen. Wenn Sie den Mähroboter auf einer öffentlichen Rasenfläche verwenden oder wenn Ihr Rasen zum Nachbarn oder zur Straße hin offen ist, schützen oder umzäunen Sie den Rasen oder stellen Sie ein Warnschild um den Arbeitsbereich auf, auf dem Folgendes steht: **WARNHINWEIS! Automatischer Rasenmäher!** Halten Sie sich von der Maschine fern! Beaufsichtigen Sie Ihre Kinder!
- 4) Modifizieren Sie den Mähroboter NICHT selbstständig. Modifikationen können den Betrieb des Mähroboters beeinträchtigen, zu schweren Verletzungen und/oder Schäden führen oder die beschränkte Garantie ungültig machen. Verwenden Sie nur von Segway zugelassene Teile und Zubehörteile.
- 5) Der Hersteller empfiehlt, dass die Benutzer 18-70 Jahre alt sein sollten. Stellen Sie sicher, dass Sie vor dem Bedienen der Maschine die erforderliche Schulung erhalten haben.

⚠ WARNHINWEIS

Lassen Sie niemals Kinder, Personen mit eingeschränkten physischen, sensorischen oder geistigen Fähigkeiten oder Mangel an Erfahrung und Wissen oder Personen, die nicht mit dieser Anleitung vertraut sind, das Gerät benutzen. Örtliche Vorschriften können das Alter des Bedieners einschränken.

Vor dem Mähen:

- Überprüfen Sie regelmäßig, ob alle Teile des Mähroboters normal funktionieren.
- Für ein optimales Mähergebnis empfiehlt es sich, bei trockenem Wetter zu mähen. Beim Mähen im Regen kann das Gras am Produkt haften bleiben und der Mähroboter kann rutschen. Mähen Sie NICHT bei schlechtem Wetter wie starkem Regen, Gewitter oder Schnee.
- Untersuchen Sie regelmäßig den Bereich, in dem die Maschine eingesetzt wird, und entfernen Sie alle Steine, Stöcke, Drähte, Knochen und andere Fremdkörper. Die beschränkte Garantie deckt keine Schäden ab, die durch auf dem Rasen zurückgelassene Gegenstände verursacht wurden.
- Halten Sie mindestens 1 m (3 Fuß) Abstand zwischen arbeitendem Mähroboter und Sprinklerköpfen ein, um mögliche Schäden zu vermeiden. Der Mähroboter und der Sprinkler sollten NICHT gleichzeitig in Betrieb sein. Stellen Sie den Mähroboter zeitlich so ein, dass er zu einer anderen Zeit als der Sprinkler in Betrieb ist.
- Erlauben Sie NIEMALS Kindern, das Netzteil, die Ladestation, die Messerklingen, das Akkufach oder Teile mit Spalten, wie z. B. die Räder, zu berühren.

⚠ WARNHINWEIS

Betreiben Sie die Maschine und/oder ihre Peripheriegeräte niemals mit defekten Schutzvorrichtungen oder Abschirmungen, oder wenn das Kabel beschädigt oder abgenutzt ist.

Beim Mähen:

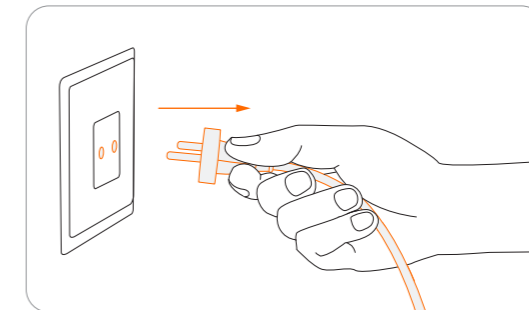
- Halten Sie sich von den rotierenden Messerklingen fern! Halten Sie Hände oder Füße NICHT unter oder in die Nähe der rotierenden Messerklingen.
- Achten Sie auf ausgeworfene Objekte! Halten Sie während des Betriebs einen sicheren Abstand zum Mähroboter ein.
- Lassen Sie das Gerät NICHT unbeaufsichtigt laufen, wenn bekannt ist, dass sich Haustiere, Kinder oder Personen in der Nähe befinden.
- Überbeanspruchen Sie sich NICHT. Halten Sie stets das Gleichgewicht und achten Sie auf den sicheren Stand an Hängen. Gehen Sie während der Bedienung des Geräts oder seiner Peripheriegeräte, aber laufen Sie niemals.

⚠ WARNHINWEIS

- Erlauben Sie Kindern NICHT, sich in der Nähe der Maschine aufzuhalten oder mit ihr zu spielen, wenn sie in Betrieb ist.
- Heben Sie den Mähroboter im Betrieb NICHT an. Fahren Sie NICHT auf dem Mähroboter.
- Mähen Sie NICHT auf Flächen mit Steigungen, die steiler sind als die maximale Neigung innerhalb des Arbeitsbereichs (45 %) sowie an der Begrenzung (10 %).
- Wenn der Mähroboter ein abnormales Geräusch macht oder einen Alarm meldet, drücken Sie sofort die STOP-Taste.
- Schalten Sie den Mähroboter aus, wenn abnormale Vibrationen auftreten, stellen Sie ihn für ca. 30 Sekunden auf einen ebenen Untergrund und starten Sie ihn anschließend erneut. Wenden Sie sich an den autorisierten Kundendienst, wenn das Problem weiterhin besteht.
- Berühren Sie bewegliche gefährliche Teile NICHT, bevor sie vollständig zum Stillstand gekommen sind.

Sichere Verwendung:

- Betreiben Sie den Mähroboter NICHT außerhalb der Temperaturgrenzwerte: -10 - 50 °C (14–122 °F), da niedrige/hohe Temperaturen die Leistung des Mähroboters beeinträchtigen und sogar zu Unfällen führen können.
- Stellen Sie KEINE Gegenstände auf den Mähroboter oder die Ladestation.
- Es wird empfohlen, die regelmäßige Wartung des Mähroboters (*siehe Wartung*) durch einen Erwachsenen durchzuführen.
- Prüfen Sie die Warneinrichtungen regelmäßig auf ihre Wirksamkeit. Zu diesen Warneinrichtungen gehören der Summer, das LED-Licht an der Ladestation und das Umgebungslicht am Mähroboter.
- Lesen Sie vor dem Aufladen den Abschnitt *Aufladen* im Benutzerhandbuch. Unsachgemäßer Gebrauch kann zu elektrischem Schlag, Überhitzung oder Austritt von ätzender Flüssigkeit führen.
- Wenn das Kabel des Netzteils oder des Verlängerungskabels während des Gebrauchs beschädigt wird oder sich verheddert, ziehen Sie den Netzstecker aus der Steckdose und entwirren Sie das Kabel anschließend. Ziehen Sie beim Abziehen des Netzteilsteckers von der Steckdose am Körper des Steckers und nicht am Kabel, um eine Gefährdung zu vermeiden. Wenden Sie sich an den Kundendienst und lassen Sie das Kabel von einem professionellen Techniker reparieren oder austauschen.



Symbole und Aufkleber

Prüfen Sie die Symbole auf dem Produkt und den Aufklebern sorgfältig und verstehen sie deren Bedeutung:



⚠ WARNHINWEIS: Lesen Sie vor Inbetriebnahme der Maschine die Bedienungsanleitung.



⚠ WARNHINWEIS: Berühren Sie die rotierenden Messerklingen nicht.



⚠ WARNHINWEIS: Halten Sie während des Betriebs einen sicheren Abstand zur Maschine ein.



⚠ WARNHINWEIS: Fahren Sie nicht auf der Maschine.



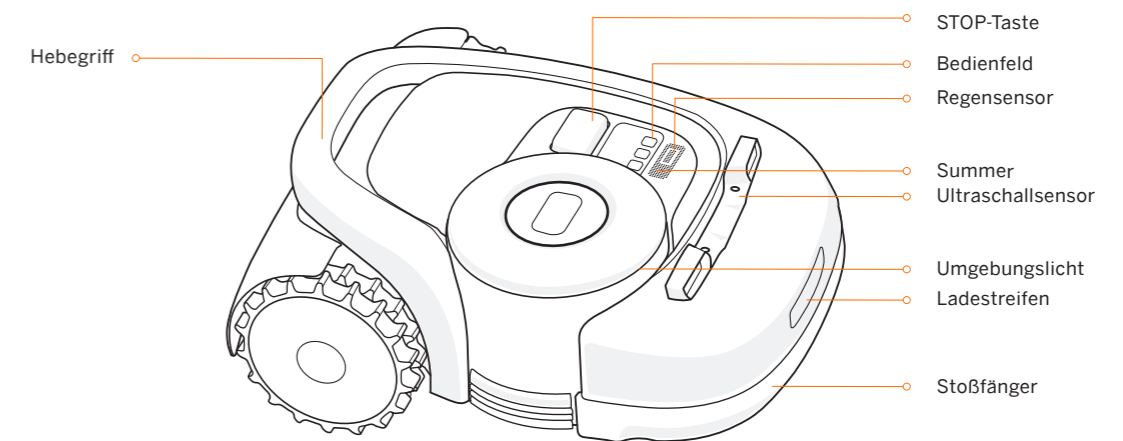
⚠ WARNHINWEIS: Betätigen Sie die Sperreinrichtung, bevor an der Maschine gearbeitet oder sie angehoben wird*.
*Achten Sie drauf, dass der Mäher mit dem PIN-Code gesperrt ist, bevor er angehoben oder in Betrieb genommen wird.



⚠ WARNHINWEIS: Es ist nicht gestattet, dieses Produkt als normalen Hausmüll zu entsorgen. Stellen Sie sicher, dass das Produkt in Übereinstimmung mit den lokalen gesetzlichen Anforderungen recycelt wird.

2 Teile und Funktionen

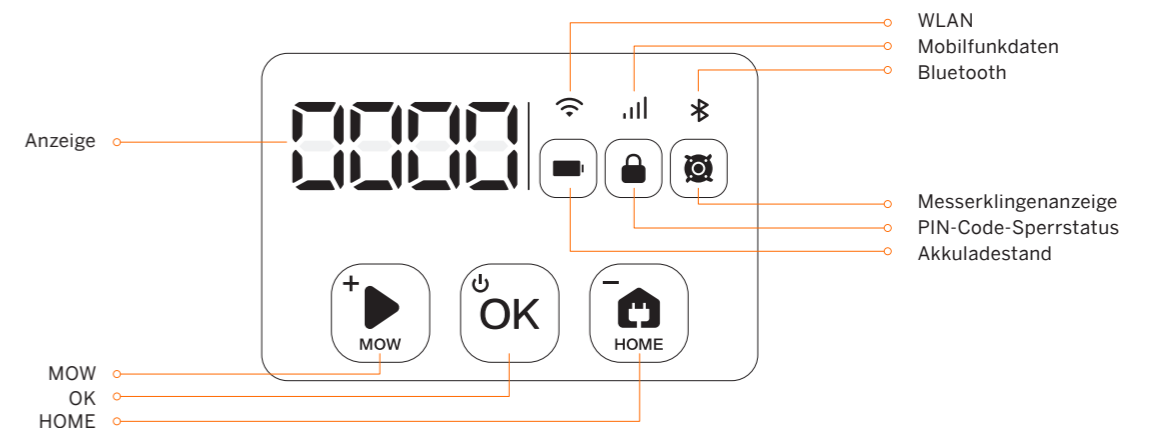
Ansicht von oben



Umgebungslicht: Wenn eine Unregelmäßigkeit auftritt, blinkt der LED-Ring rot und es ertönt ein Summertone.

Ultraschallsensor: Bestimmte Modelle sind mit einem Ultraschallsensor ausgestattet. Der Sensor ist auch separat erhältlich und kann bei allen Navimow-Modellen installiert werden. Fragen Sie Ihren Händler nach Einzelheiten.

Bedienfeld



Akkuladestand: Die Farbe gibt den Akkuladestand an: 50%–100% grün leuchtend, 20%–49% gelb leuchtend, 5%–19% rot leuchtend, ≤5% rot blinkend. Wenn das Akkusymbol rot ist, muss der Mähroboter aufgeladen werden.

Anzeige: Zeigt Mähprozent, PIN-Code, Fehler-Code, etc. an.

PIN-Code: Bevor Sie den Mähroboter manuell bedienen können, müssen Sie den PIN-Code eingeben. Der Standardcode ist 0000 und kann über die Navimow-App (in diesem Handbuch als App bezeichnet) geändert werden. Drücken Sie MOW/HOME, um die Nummer zu erhöhen/verringern, und drücken Sie OK, um den Code zu bestätigen.

Grundlegende Funktionen

- Einschalten: Drücken Sie OK.
- Ausschalten: Halten Sie OK 4 Sekunden lang gedrückt oder schalten Sie über die App aus. Der Mähroboter kann nicht ausgeschaltet werden, wenn er sich in der Ladestation befindet.
- Mähen beginnen: Drücken Sie MOW und anschließend OK.
- Betrieb des Mähroboters stoppen: Drücken Sie STOP.
- Der Mähroboter kehrt zur Ladestation zurück: Drücken Sie HOME und anschließend OK.

CE Dieses Produkt entspricht den geltenden EG-Richtlinien.

RoHS Dieses Produkt entspricht den Vorschriften zur Einschränkung der Verwendung bestimmter gefährlicher Stoffe.

Lesen Sie vor dem Aufladen die Anweisungen.

UK CA Dieses Produkt entspricht der geltenden britischen Gesetzgebung.

Polarität des Ladeanschlusses

Gerät der Klasse II

Schaltnetzteil (SMPS) mit kurzschlussfestem Sicherheitstransformator (inhärent oder nicht inhärent)

Schaltnetzteil (SMPS, Switch mode power supply unit)

VI Effizienz der DoE-Stufe VI

Die maximale Einsatzhöhe beträgt 5000 m

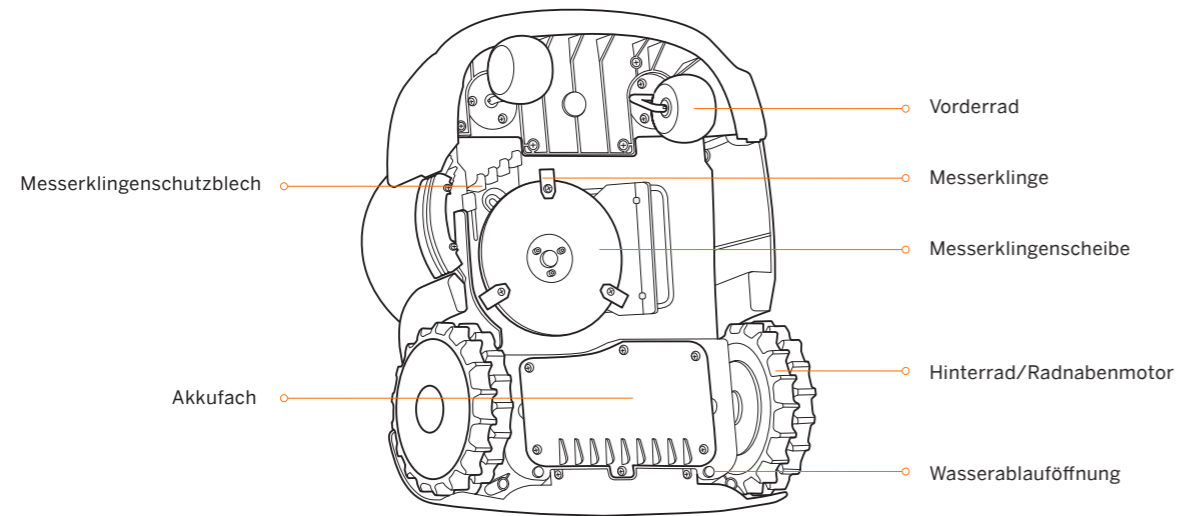
IP55/IP66 IP55/IP66

ta: 40°C Die maximale Einsatztemperatur beträgt 40 °C

Gleichstrom

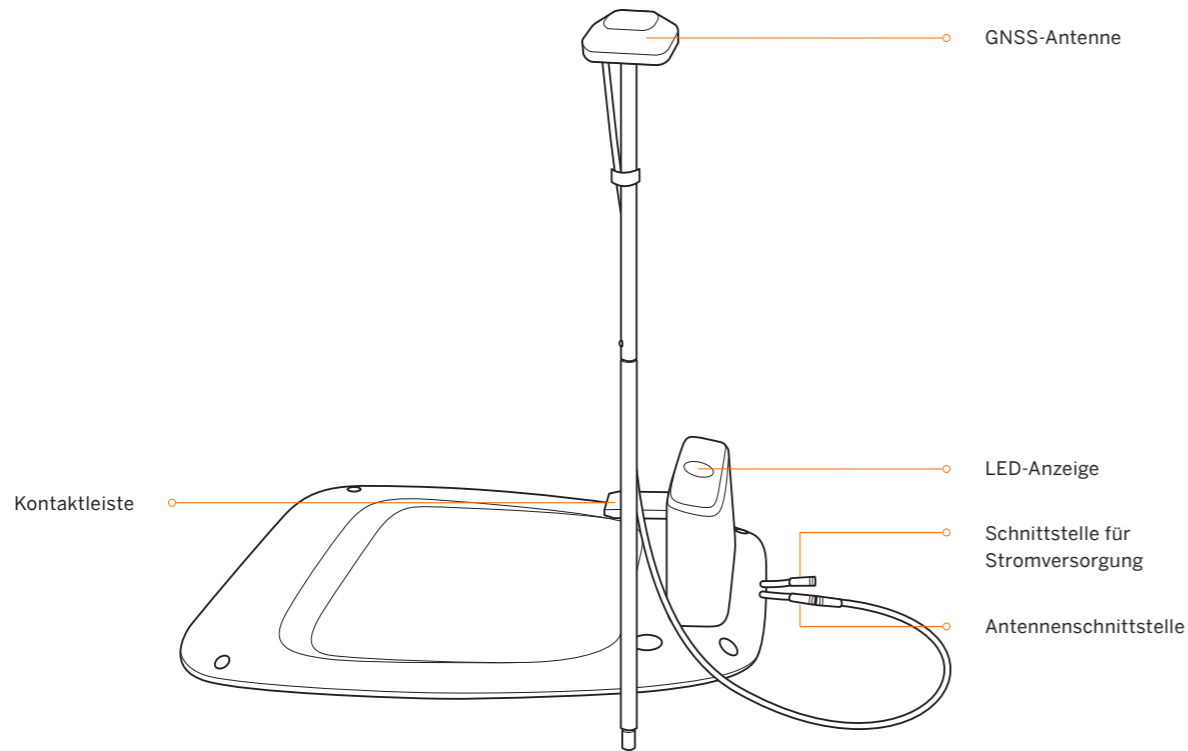
Wechselstrom

Klasse-III-Gerät



Wasserablauföffnung: Wenn der Mähroboter ins Wasser fällt, nehmen Sie ihn sofort heraus und stellen Sie ihn mit der rechten Seite nach oben, um ihn zu entleeren. Tauchen Sie den Mähroboter niemals in Wasser ein, da sonst die Komponenten beschädigt werden können und die beschränkte Garantie erlischt.

Ladestation und GNSS-Antenne



HINWEIS: Wenn die GNSS-Antenne blockiert ist, was ein schlechtes Signal und eine ungenaue Positionierung zur Folge hat, kaufen Sie das Antennenverlängerungskit und installieren Sie es wie angewiesen.

3 Wartung

Um bessere Mähergebnisse zu erzielen und die Lebensdauer zu erhöhen, achten Sie darauf, den Mähroboter sauber und die Messerklingen in gutem Zustand zu halten. Die Inspektion und Wartung sollte jede Woche von einem Erwachsenen durchgeführt werden. Ersetzen Sie alle beschädigten oder verschlissenen Teile. **Führen Sie KEINE Wartungsarbeiten mit offenen Sandalen oder barfuß durch. Tragen Sie bei der Wartung des Mähroboters immer lange Hosen und Arbeitsschuhe.**

1) Reinigung

Verwenden Sie eine weiche Bürste oder ein Tuch, um das Äußere des Mähers gründlich zu reinigen. Reinigen Sie NICHT mit Alkohol, Benzin, Aceton oder anderen ätzenden/flüchtigen Lösungsmitteln. Diese Stoffe können das Aussehen und die Innenstruktur des Mähroboters beschädigen.

Um ein ordnungsgemäßes Andocken zu gewährleisten, überprüfen Sie die Ladestation regelmäßig und befreien Sie sie von Verschmutzungen und Schlamm. Achten Sie darauf, dass alle Anschlussteile der Ladestation, das Verlängerungskabel und das Netzteil nicht blockiert sind.

A. Fahrwerk und Messerklingenscheibe

Verwenden Sie eine Bürste oder einen Wasserschlauch zur Reinigung, wenn das Fahrwerk und die Messerklingenscheibe verschmutzt sind. Verwenden Sie KEINEN Hochdruckreiniger. Achten Sie gleichzeitig darauf, dass sich die Messerklingenscheibe frei dreht und die Messerklingen frei schwenken können.

VORSICHT: Hochdruckwasser kann in die Dichtungen eindringen und elektronische und mechanische Teile beschädigen.

B. Räder

Gras auf den Rädern kann die Leistung des Mähers beim Befahren von Hängen beeinträchtigen. Entfernen Sie Schlamm oder andere Gegenstände, die dazwischen stecken, um einen starken Halt zu gewährleisten.

C. Regensensor

Kontrollieren und gewährleisten Sie einmal pro Woche, dass der Regensensor nicht von Schlamm, Gras oder anderen Gegenständen bedeckt ist. Sie können ihn entweder sauber waschen oder mit einer weichen Bürste reinigen.

⚠️ WARNHINWEIS

- Stellen Sie vor der Reinigung sicher, dass der Mähroboter ausgeschaltet ist.
- Wenn der Mähroboter auf dem Kopf steht, muss er ausgeschaltet sein.

2) Austausch der Messerklingen

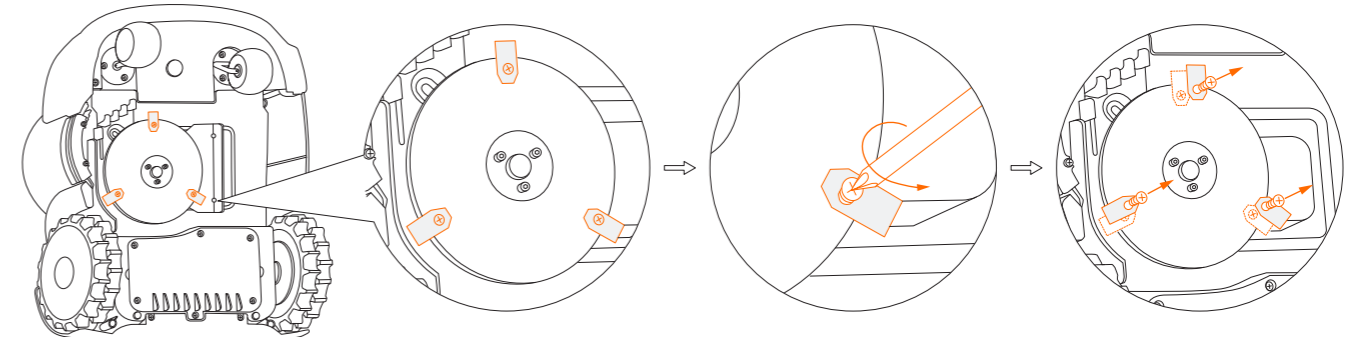
Bei regelmäßigem Einsatz des Mähroboters wird empfohlen, die Messerklingen und Schrauben alle 1-2 Monate auszutauschen, um Sicherheit und bessere Mähergebnisse sicherzustellen. Tauschen Sie alle drei Messerklingen und deren Schrauben gleichzeitig aus, um ein sicheres Schneidsystem zu gewährleisten.

⚠️ WARNHINWEIS

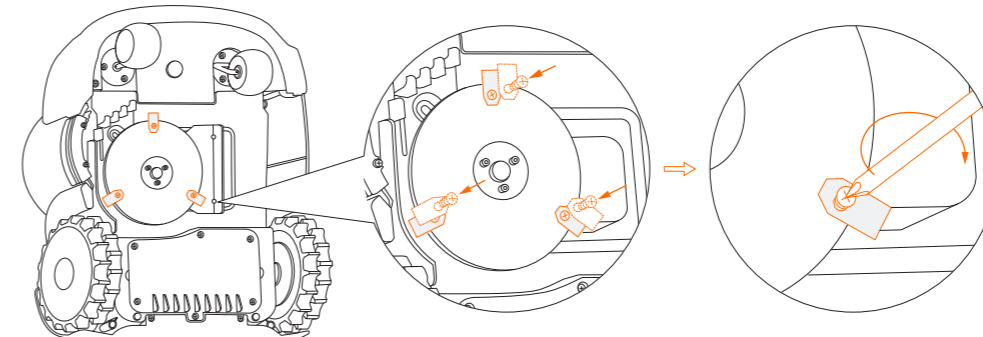
- Tragen Sie beim Überprüfen oder Warten der Messerklingen schwere Handschuhe.
- Verwenden Sie nur den richtigen Schraubentyp und die von Segway zugelassenen Originalmesserklingen. Messerklingenmodell: HA002E.
- Verwenden Sie die Schrauben NICHT wieder. Dies kann zu schweren Verletzungen führen.

Austauschen der Messerklingen:

- 1 Schalten Sie den Mähroboter aus.
- 2 Legen Sie den Mähroboter umgedreht auf eine weiche und saubere Oberfläche, um Kratzer zu vermeiden.
- 3 Lösen Sie die drei Schrauben mit einem Kreuzschlitzschraubendreher.
- 4 Drehen Sie die Schrauben heraus und nehmen Sie die Messerklingen ab.



- 5 Ziehen Sie die neuen Messerklingen und Schrauben fest (Drehmoment: 1 N m). Achten Sie darauf, dass die Messerklingen frei drehen können.

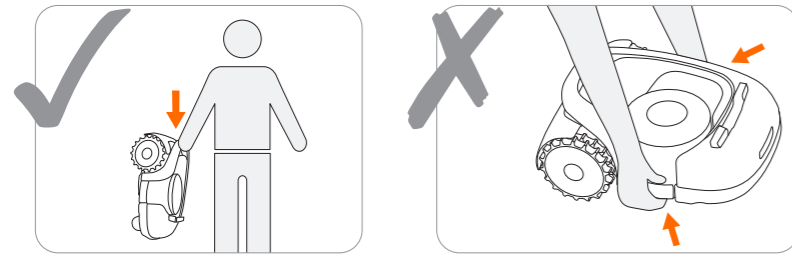


3) Transport

Verwenden Sie die Originalverpackung zum Schutz des Mähroboters bei Langstreckentransporten. Schalten Sie das Gerät aus, bevor es angehoben, bewegt oder anderweitig transportiert wird. Gehen Sie vorsichtig mit dem Gerät um und wenden Sie keine Gewalt an, wie beispielsweise durch Werfen oder starken Druck. Heben Sie bei laufendem Motor den Mähroboter niemals an oder tragen Sie ihn.

Richtiges Bewegen oder Anheben:

Tragen Sie den Mähroboter am Griff, wobei die Messerklingenscheibe von Ihrem Körper weg zeigt.



VORSICHT:

Heben Sie das Produkt NICHT an, wenn es in der Ladestation abgestellt ist, um Schäden am Mähroboter und/oder an der Ladestation zu vermeiden.

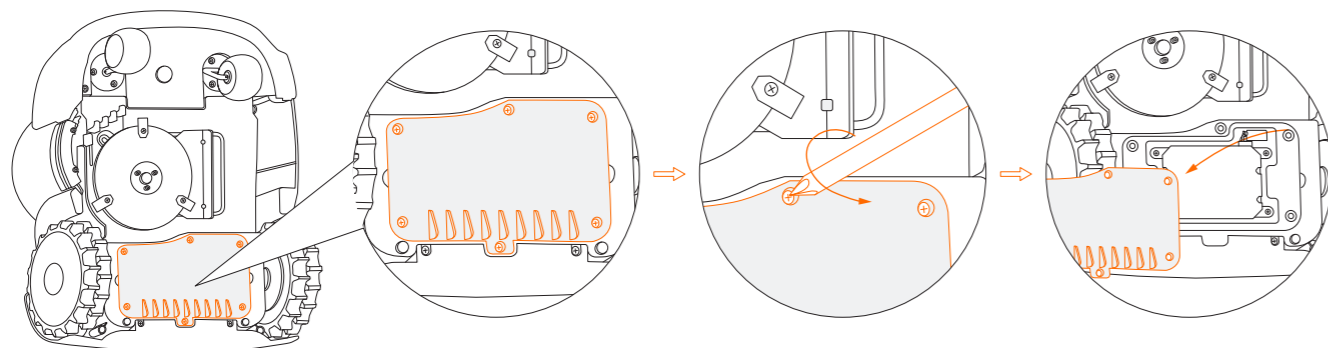
4) Akku

Laden Sie den Akku vor der Lagerung vollständig auf, um eine Überentladung und Beschädigung der elektrischen Komponenten zu vermeiden. Laden Sie bei Langzeitlagerung den Mähroboter alle 120 Tage auf. Akkus Schäden, die durch Überentladung verursacht werden, sind nicht durch die beschränkte Garantie abgedeckt. Verwenden oder lagern Sie den Akku NICHT unter extremen Temperaturbedingungen, d. h. über 50 °C (122 °F) oder unter -20 °C (-4 °F).

HINWEIS: Die Akkulebensdauer hängt davon ab, wie oft das Produkt in Betrieb ist und wie viele Arbeitsstunden insgesamt anfallen. Wenn die Betriebszeit pro voller Ladung kürzer als üblich ist oder der Rasen nicht gut geschnitten wird, sollte ein Austausch des Akkus in Betracht gezogen werden.

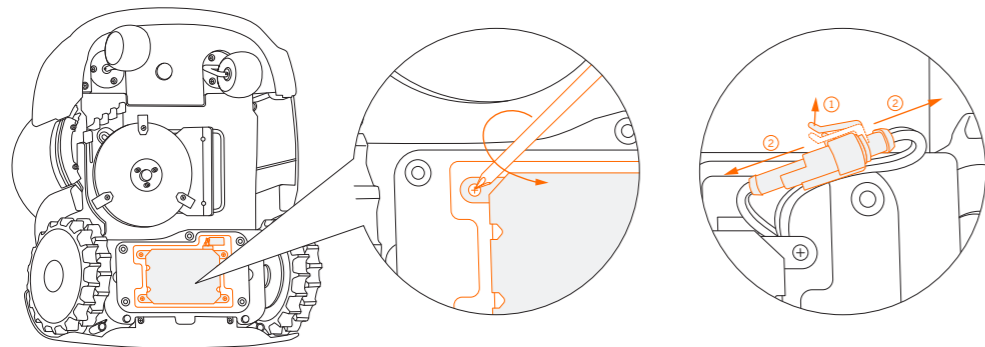
Austauschen des Akkus:

- 1 Schalten Sie den Mähroboter aus.
- 2 Legen Sie den Mähroboter auf eine weiche und saubere Unterlage in umgedrehter Position.
- 3 Lösen Sie die 6 Schrauben am Akkufach mit einem Kreuzschlitzschraubendreher.



4 Lösen Sie die 4 Schrauben im Akkufach.

5 Ziehen Sie die beiden Stecker ab.



6 Nehmen Sie den Akkusatz herausnehmen und ersetzen Sie ihn durch den neuen.

7 Schließen Sie die Stecker an und ziehen Sie alle Schrauben fest.

⚠ WARNHINWEIS

- Verwenden Sie nur den Original-Akkusatz oder einen desselben von Segway angegebenen Modells. Jeder Mähroboter enthält einen Akkusatz.
- Abhängig vom jeweiligen Mährobotermodell beträgt die Nennkapazität des Akkus 5200 mAh, 7800 mAh oder 10400 mAh.
- Verwenden Sie keine nicht wiederaufladbaren Akkus. Verwenden Sie zum Aufladen des Akkus nur das abnehmbare Netzteil, das diesem Gerät beiliegt. Für die Europäische Union: nur mit Netzteil „NBW32D002D5N - EU“ verwenden. Für Großbritannien: nur mit Netzteil „NBW32D002D5N - UK“ verwenden.
- Zerlegen oder durchbohren Sie das Akkugehäuse NICHT. Halten Sie Metallgegenständen fern, um einen Kurzschluss zu vermeiden. Halten Sie Feuer, Hitze und direkte Sonneneinstrahlung fern.
- Wenden Sie sich für Informationen über Akku- und Elektroschrott an Ihre Müllabfuhr, an Ihre örtliche oder regionale Abfallwirtschaft oder an Ihre Verkaufsstelle.
- Der Akkusatz enthält Elektrolyte. Wenn auslaufendes Elektrolyt mit der Haut in Berührung kommt, waschen Sie dies sofort mit Wasser und Seife ab. Holen Sie bei Augenkontakt ärztliche Hilfe und spülen Sie die Augen sofort mindestens 15 Minuten lang mit viel Wasser und ohne zu reiben aus.

5) Netzteil

- Ziehen Sie den Stecker des Netzteils ab:
 - Vor dem Beseitigen einer Verstopfung
 - Vor dem Prüfen, Reinigen oder Arbeiten an der Maschine
 - Untersuchen Sie nach dem Entdecken von Fremdkörpern die Maschine auf Beschädigung
- Prüfen Sie regelmäßig auf Beschädigungen des Kabels, des Steckers, des Gehäuses und anderer Teile. Wenn Schäden oder Alterungserscheinungen festzustellen sind, beenden Sie unverzüglich die Nutzung.

⚠ WARNHINWEIS

- Nehmen Sie KEIN beschädigtes Netzteil in Betrieb. Wenn das Netzkabel beschädigt ist, muss es durch den Hersteller, seinen Kundendienst oder ähnlich qualifizierte Personen ausgetauscht werden, um eine Gefährdung zu vermeiden. Wenn das Verlängerungskabel defekt ist, ersetzen Sie es durch ein von Segway zugelassenes Kabel von 10 Metern Länge.
- Schließen Sie KEIN beschädigtes Kabel an das Netzteil an und berühren Sie KEIN beschädigtes Kabel oder Verlängerungskabel, bevor es aus der Steckdose gezogen wurde. Beschädigte Kabel können zum Kontakt mit stromführenden Teilen führen.
- Verwenden Sie das Netzteil NICHT mit einem anderen Produkt oder einem anderen Akku, andernfalls besteht die Gefahr von Verletzungen, Feuer oder Stromschlägen. Die Produktsicherheit kann nur mit Originalakkus gewährleistet werden.
- Laden Sie NICHT auf, wenn der Akku undicht ist.
- Halten Sie das Verlängerungskabel von sich bewegenden gefährlichen Teilen fern, um Schäden an den Kabeln zu vermeiden, die zum Kontakt mit stromführenden Teilen führen können.

Empfehlung

Schließen Sie den Mähroboter und/oder seine Peripheriegeräte nur an einen Versorgungsstromkreis an, der durch eine Fehlerstrom-Schutzeinrichtung (RCD) mit einem Auslösestrom von höchstens 30 mA geschützt ist.

6) Lagerung

- Schalten Sie den Mähroboter vor der Lagerung aus und laden Sie den Akku ganz auf, um eine Überentladung zu vermeiden, die zu permanenten Schäden führt.
- Bewahren Sie ihn an einem kühlen und trockenen Ort im Innenbereich auf. Sonnenlicht und extreme Temperaturen (sowohl heiß als auch kalt) beschleunigen den Alterungsprozess der Komponenten und können den Akku dauerhaft beschädigen.
- Halten Sie den Mähroboter, die Ladestation und das Netzteil von Wärmequellen (wie Öfen, Heizkörpern usw.) oder Chemikalien fern. Schützen Sie das Netzteil vor Feuchtigkeit und bewahren Sie es an einem gut belüfteten Ort auf.

⚠ WARNHINWEIS

Ziehen Sie bei Gewittergefahr den Stecker des Netzteils aus der Steckdose. Trennen Sie alle Kabel und Leitungen, die an die Ladestation angeschlossen sind. Wenn keine Gewittergefahr mehr besteht, schließen Sie Kabel und Leitungen wieder an.

Lagerung im Winter

- Der Mähroboter
Reinigen Sie den Mähroboter vor der Lagerung gründlich. Prüfen Sie die dem Verschleiß unterworfenen Komponenten, wie z. B. die Messerklingen. Reparieren oder ersetzen Sie diese, wenn sie in einem schlechten Zustand sind. Lagern Sie den Mähroboter an einem trockenen und frostfreien Ort auf allen Rädern stehend und am besten in der Originalverpackung.
- Die Ladestation
Ziehen Sie den Stecker des Netzteils aus der Steckdose und trennen Sie es von der Ladestation. Bewahren Sie die Ladestation in einem Innenraum auf und schützen Sie sie vor direkter Sonneneinstrahlung.

7) Recycling und Entsorgung am Ende des Lebenszyklus

Behandeln Sie dieses Produkt NICHT als Hausmüll. Informationen zum Recycling erhalten Sie bei Ihrer Müllabfuhr, Ihrer Kommunalverwaltung oder Ihrer Verkaufsstelle.

⚠ WARNHINWEIS

Entsorgen Sie dieses Produkt NICHT auf einer Deponie, durch Verbrennen oder mit dem Hausmüll. Aufgrund der elektrischen Bauteile kann es zu gefährlichen Situationen bzw. ernsthaften Verletzungen kommen.

8) Sonstiges

- Alle Schrauben, Muttern und Bolzen müssen festgezogen sein, um einen normalen und sicheren Betrieb zu gewährleisten.
- Im Lieferumfang des Produkts enthaltene Ersatzreifen müssen durch einen Fachreparateur am Rad befestigt werden. Das Entfernen von Rädern ist ein komplizierter Vorgang und eine unsachgemäße Montage kann zu Instabilitäten und Fehlfunktionen führen.
- Halten Sie die Antriebsräder (Hinterräder) durch Entfernen des Schlamms mit einer Bürste sauber, um eine gute Haftung der Lauffläche zu gewährleisten.
- Der Fahrwerksbereich hinter dem Stoßfänger darf NUR von autorisierten Servicetechnikern geöffnet und wieder verschlossen werden. Eine Wartung durch Sie selbst kann zum Erlöschen der beschränkten Garantie führen.

HINWEIS: VERSICHERUNG

IHRE VERSICHERUNGSPOLICEN BIETEN MÖGLICHERWEISE KEINEN VERSICHERUNGSSCHUTZ FÜR UNFÄLLE, DIE BEI VERWENDUNG DIESES PRODUKTS AUFTRETEN KÖNNEN. UM FESTZUSTELLEN, OB EIN VERSICHERUNGSSCHUTZ ANGEBOTEN WIRD, WENDEN SIE SICH BITTE AN IHRE VERSICHERUNGSGESELLSCHAFT ODER IHREN -AGENTEN.

4 Beschränkte Garantie

Beschränkte Garantie- und Schiedsvereinbarung (EMEA)

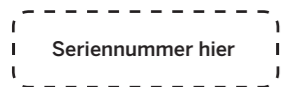
HINWEIS: LESEN SIE BITTE DIESE BESCHRÄNKTE GARANTIE- UND SCHIEDSVEREINBARUNG UND BEWAHREN SIE DIESE VEREINBARUNG ZUM NACHSCHLAGEN AUF. DIESE VEREINBARUNG ENTHÄLT BESCHRÄNKTE GARANTIEKLAUSELN FÜR VERBRAUCHER IN EUROPA, NAHOST UND AFRIKA („EMEA“) UND SCHIEDSKLAUSELN IN BEZUG AUF NAVIMOW („PRODUKT“) UND ALLE TRANSAKTIONEN UND ANSPRÜCHE, DIE MIT DEM PRODUKT ZUSAMMENHÄNGEN UND/ODER DARAUS ENTSTEHEN.

DIES IST EINE RECHTSVERBINDLICHE VEREINBARUNG („VEREINBARUNG“) ZWISCHEN IHNEN (EINER NATÜRLICHEN ODER JURISTISCHEN PERSON) UND DEM HERSTELLER („WILLAND“), SEGWAY DISCOVERY B.V. EMEA („SEGWAY“) UND DEREN VERBUNDENEN UNTERNEHMEN (EINSCHLIESSLICH, ABER NICHT BESCHRÄNKT AUF DEREN MUTTERGESELLSCHAFT, TOCHTERGESELLSCHAFT, VERBUNDENE UNTERNEHMEN, VORGÄNGER, NACHFOLGENDE UNTERNEHMEN, VERWALTER, NACHFOLGER, ABTRETUNGSEMPFÄNGER, LEITENDE ANGESTELLTE, DIREKTOREN, MANAGER, MITARBEITER, MITGLIEDER, AKTIONÄRE UND AGENTEN, ANWÄLTE, VERSICHERER ODER RÜCKVERSICHERER) (ZUSAMMENFASSEND „SEGWAY-PARTEIEN“), SEGWAY-HÄNDLER (WIE UNTEN DEFINIERT) UND DEREN VERBUNDENE UNTERNEHMEN (ZUSAMMENFASSEND „SEGWAY-HÄNDLER“).

DER KAUF DES PRODUKTS, DAS ÖFFNEN DER PRODUKTVERPACKUNG, DIE VERWENDUNG DES PRODUKTS, DAS BEHALTEN DES PRODUKTS, DIE NUTZUNG DER VORTEILE DIESER VEREINBARUNG ODER DIE ELEKTRONISCHE ANNAHME DIESER VEREINBARUNG GELTEN ALS ANNAHME DIESER VEREINBARUNG. FÜR DEN FALL, DASS SIE ALS ELTERNTEIL(E) ODER ERZIEHUNGSBERECHTIGTE(R) DIESES PRODUKT IM NAMEN ODER FÜR IHRE KINDER KAUFEN, STIMMEN SIE HIERMIT IN JEDER HINSICHT DEN BEDINGUNGEN DER VEREINBARUNG ZU UND ERKLÄREN SICH DAMIT EINVERSTANDEN, DASS SOWOHL SIE ALS AUCH IHRE KINDER AN DIESE VEREINBARUNG GEBUNDEN SIND. SIE BESTÄTIGEN UND STIMMEN ZU, DASS SIE AUSREICHEND ÜBER DIESE VEREINBARUNG INFORMIERT WURDEN UND DASS SIE DIESER VEREINBARUNG ZUSTIMMEN.

Notieren Sie die Seriennummer Ihres Produkts

Notieren Sie die unten aufgeführte Seriennummer Ihres Produkts. Sie finden die Seriennummer auf der Außenseite des Versandkartons oder auf der Unterseite des Produkts.



1. Beschränkte Garantie

Diese beschränkte Garantie deckt nur Material- oder Qualitätsmängel des Produkts und der Komponenten ab, wenn das Produkt und seine Komponenten unter normalen und gewöhnlichen Bedingungen verwendet werden. Im Falle eines Defekts, der durch diese beschränkte Garantie abgedeckt ist, reparieren oder ersetzen Segway und/oder andere Segway-Parteien nach eigenem Ermessen das defekte Produkt oder Komponenten davon in Übereinstimmung mit dieser beschränkten Garantie. Der geltende Zeitraum für die beschränkte Garantie beginnt mit dem Datum des ursprünglichen Kaufs des Produkts von Segway, einem autorisierten Wiederverkäufer von Segway, einem autorisierten Distributor von Segway oder einem autorisierten Händler (jeweils ein „Segway-Händler“ oder zusammenfassend die „Segway-Händler“).

	Name der Komponente			Zeitraum der beschränkten Garantie
Märobotergehäuse	<ul style="list-style-type: none">• Rahmen• Antriebsmotor• Messerklingenmotor• Schritthöhen-Motor• Antriebsplattenmodul• CU-Platinenmodul• Ladeplattenmodul	<ul style="list-style-type: none">• Sensormodul• IoT-Platine• GPS-Modul• Hall-Platine• Led-Platine• Ultraschallmodul• 868-Antenne	<ul style="list-style-type: none">• GPS-Antenne• Baugruppe Messerklingenscheibe• GNSS-Antenne	3 Jahre (H500E, H800E) 4 Jahre (H1500E, H3000E)
Batterie	<ul style="list-style-type: none">• Akkusatz			2 Jahre (H500E, H800E) 3 Jahre (H1500E, H3000E)
Weitere Komponenten	<ul style="list-style-type: none">• Netzteil• Ladestreifen• Stromversorgungskabel• Summer	<ul style="list-style-type: none">• Regensensor• Bedienfeld/Tasten• Stop-Taste• Universalrad	<ul style="list-style-type: none">• Baugruppe Antenneninstallation• Alle Kabel	1 Jahr
Komponenten, die sich abnutzen können	<ul style="list-style-type: none">• Messerklinge• Dekorationsstück• Dichtung• Dichtungsbänder• Hebegriff• Obere Abdeckung	<ul style="list-style-type: none">• Baugruppe Transparente Zylinder• Baugruppe Kotflügelbremse• Gummistopfen• Baugruppe Ladestation• Akkuabdeckung• Baugruppe Stoßfänger	<ul style="list-style-type: none">• Ultraschallabdeckung• Haken zur Befestigung des Verlängerungskabels	90 Tage

DIESE BESCHRÄNKTE GARANTIE IST DIE EINZIGE AUSDRÜCKLICHE GARANTIE, DIE FÜR DAS PRODUKT UND SEINE KOMPONENTEN, ZUBEHÖRTEILE UND DIE SERVICEREPARATUR GILT. SEGWAY UND DIE SEGWAY-PARTEIEN LEHNEN ALLE ANDEREN AUSDRÜCKLICHEN GARANTIE AB. SEGWAY UND ANDERE SEGWAY-PARTEIEN BESCHRÄNKEN DIE DAUER UND DIE RECHTSMITTEL ALLER STILLSCHWEIGENDEN GARANTIE, EINSCHLIESSLICH UND OHNE EINSCHRÄNKUNG DER GARANTIE DER MARKTGÄNGIGKEIT UND DER EIGNUNG FÜR EINEN BESTIMMTEN ZWECK, UNABHÄNGIG DAVON, OB DIESE DURCH GESETZ, GESCHÄFTSVERLAUF, LEISTUNGSERBRINGUNG, HANDELSBRAUCH ODER ANDERWEITIG ENTSTANDEN SIND, AUF DIE DAUER DIESER AUSDRÜCKLICHEN BESCHRÄNKTEN GARANTIE. DIESE BESCHRÄNKTE GARANTIE BEEINTRÄCHTIGT ODER BESCHRÄNKT IN KEINER WEISE DIE GESETZLICHEN RECHTE, DIE SIE ALS VERBRAUCHER HABEN, ZUM BEISPIEL IN BEZUG AUF KONFORMITÄT.

2. Leistungen der beschränkten Garantie

Die Online-Dienste von Segway sind unter navimow.segway.com verfügbar. Sie sind während der Nutzung des Produkts der Meinung, dass das Produkt oder seine Komponente defekt ist und/oder nicht richtig funktioniert. STELLEN SIE BITTE SOFORT DIE VERWENDUNG DES PRODUKTS EIN UND LAGERN SIE ES ORDNUNGSGEMÄSS. DIE FORTGESETZTE VERWENDUNG DES PRODUKTS UNTER SOLCHEN UMSTÄNDEN KANN ZU SCHWEREN KÖRPERVERLETZUNGEN ODER SOGAR ZUM TOD FÜR SIE ODER ANDERE UND/ODER ZU SACHSCHÄDEN FÜHREN. Wenden Sie sich danach bitte umgehend an Segway unter support-navimow@rlm.segway.com. Die Mitarbeiter des technischen Kundendiensts von Segway stehen Ihnen online oder telefonisch zur Verfügung, um den Defekt zu diagnostizieren und gegebenenfalls weitere Anweisungen zu geben. Für den Fall, dass die Garantieleistungen in Anspruch genommen werden, halten Sie bitte die folgenden Unterlagen bereit, einschließlich (i) eines Nachweises über den ursprünglichen Kauf des Produkts bei einem Segway-Händler, (ii) der Seriennummer des Produkts und (iii) einer Beschreibung des Defekts, falls zutreffend. Nach der Überprüfung Ihres Anspruchs auf den beschränkten Garantieschutz und/oder die Serviceleistungen sollten Sie Ihren Namen, Ihre E-Mail-Adresse, Ihre Postanschrift und Ihre Kontakttelefonnummer angeben. Wir leiten Sie dann an, um unsere Leistungen zu erhalten. Wenn Sie das defekte Gerät für einen Service zurücksenden möchten, sind Sie verantwortlich für die Versandkosten und das Risiko von Verlusten und Schäden, die während des Transports von Ihnen zu Segway und (ii) von Segway zu Ihnen auftreten können. Sie müssen Ihr defektes Produkt in die Originalverpackung oder eine von Segway zugelassene Verpackung hineinlegen, die kostenpflichtig für die Versendung des Produkts an Segway bereitgestellt wird. Sie müssen Segway verteidigen, entschädigen und von jeglichen Verlusten und/oder Schäden freistellen, die durch Ihre unsachgemäße Verpackung oder den Versand des Produkts oder der Komponente an Segway verursacht werden können. Ein autorisierter Dienstleister oder Segway-Händler überprüft Ihr zurückgegebenes Produkt. Wenn Segway feststellt, dass das Problem nicht von der beschränkten Garantie abgedeckt wird, werden Sie von Segway benachrichtigt und über Service- oder Ersatzalternativen informiert, die Ihnen kostenpflichtig zur Verfügung gestellt werden, oder Segway wird Ihr Produkt unverzüglich zurückgeben. In diesem Fall sind Sie für die Kosten der Versendung und Versicherung Ihres Produktes von Segway an Sie verantwortlich. Für den Fall, dass eine Serviceleistung nicht von der beschränkten Garantie abgedeckt ist und Sie eine von den Segway-Parteien und/oder Segway-Händlern empfohlene, kostenpflichtige Serviceleistung ablehnen, verstehen und erkennen Sie an, dass das Versäumnis, das Produkt zu reparieren und/oder zu warten, das Risiko eines Sturzes und/oder eines Produktversagens erhöhen kann, was zu schweren Sachschäden, schweren Körperverletzungen oder zum Tod führen kann. Sie stimmen zu, dass dies Ihre Einverständniserklärung ist, dieses Risiko einzugehen. Bei einer Rücksendung, die für den Garantieschutz und/oder die Serviceleistungen in Frage kommt, wird Segway defekte Produkte mit neuen oder überholten Teilen desselben oder eines ähnlichen Modells bedienen, ohne dass Ihnen dafür Kosten entstehen. Teile, die durch Segway ersetzt wurden, werden von Segway einbehalten und Eigentum von Segway. In einer solchen Situation übernimmt Segway angemessene Versandkosten für die Rücksendung des Produkts an Sie.

3. Berechtigung zur beschränkten Garantie

3.1 Ihre Serviceanforderung muss innerhalb des oben beschriebenen Zeitraums für die beschränkte Garantie bei Segway eingehen, und Segway muss Ihr Produkt gemäß dem oben definierten Service der beschränkten Garantie erhalten.

- 3.2 Ihr Produkt muss bei einem autorisierten Segway-Händler gekauft worden sein.
- 3.3 Sie müssen den Originalkaufbeleg vorlegen.
- 3.4 Die Seriennummer Ihres Produkts muss deutlich lesbar, freigelegt, nicht manipuliert und unverändert sein.
- 3.5 Ihr Produkt muss über manipulationssichere und nicht modifizierte Dichtungen an Ort und Stelle verfügen.

4. Ausschlüsse von der beschränkten Garantie

Diese beschränkte Garantie beschreibt den Service, der Ihnen zur Verfügung steht, falls Ihr Produkt Garantieleistungen benötigt. Sie können entsprechend den lokalen Gesetzen zudem über zusätzliche Schutzmaßnahmen verfügen. Diese beschränkte Garantie deckt die folgenden Schäden an Ihrem Produkt oder Komponenten davon nicht ab und schließt diese aus, die verursacht werden durch:

- 4.1 Missbrauch, fehlerhaften Gebrauch, Leichtfertigkeit, Fahrlässigkeit oder kommerzielle Nutzung.
- 4.2 Unsachgemäßes Aufladen. Lagern, Warten oder Betreiben des Produkts nicht in Übereinstimmung mit den Anweisungen oder Einschränkungen, wie sie in den Benutzerunterlagen angegeben sind.
- 4.3 Verwendung des Produkts nicht in Übereinstimmung mit den geltenden Gesetzen und Vorschriften.
- 4.4 Verwendung des Produkts durch Personen mit unzureichender Erfahrung.
- 4.5 Unfall, Zusammenstoß, Brandschaden, Wasserschaden, chemischer Schaden, Verwendung des Produkts außerhalb des Arbeitstemperaturbereichs, Hochdruckwasserspritzer, Erdbeben, Sturz.
- 4.6 Änderungen an mechanischen Teilen, Änderungen an elektronischen Teilen oder Änderungen an der in das Produkt eingebetteten Software.
- 4.7 Service, Reparatur und Wartung durch nicht autorisierte Dienstleister.
- 4.8 Kosmetische Schäden.
- 4.9 Verwendung des Produkts mit Produkten, Komponenten oder Zubehör von Drittanbietern.
- 4.10 Die normale Abnutzung von Verschleißteilen.
- 4.11 Verwendung des Produkts mit überfälligen Verschleißteilen.

5. HAFTUNGSAUSSCHLUSS UND BESCHRÄNKUNG

- 5.1 DIE SEGWAY-PARTEIEN ÜBERNEHMEN KEINE WEITEREN VERPFLICHTUNGEN ODER HAFTUNGEN IN VERBINDUNG MIT DEM PRODUKT, SEINEN KOMPONENTEN, ZUBEHÖRTEILEN, SERVICEREPARATUREN ODER DIESER BESCHRÄNKTEN GARANTIE UND AUTORISIEREN NIEMANDEN, DIESE IN IHREM NAMEN ZU ÜBERNEHMEN.
- 5.2 DIE SEGWAY-PARTEIEN UND SEGWAY-HÄNDLER SIND NICHT VERANTWORTLICH FÜR DEN NUTZUNGS AUSFALL EINES PRODUKTS, SEINER BESTANDTEILE, ZUBEHÖRTEILE ODER FÜR IRGENDWELCHE UNANNEHMlichkeiten ODER ANDERE VERLUSTE ODER SCHÄDEN, DIE DURCH IRGEND EINEN DEFECT AN EINEM PRODUKT, SEINEN BESTANDTEILEN, ZUBEHÖRTEILEN, SEINER SERVICEREPARATUR VERURSACHT WERDEN KÖNNEN, ODER FÜR SONSTIGE ZUFÄLLIGE ODER FOLGESCHÄDEN, DIE DER BESTELLER AUFGRUND EINES MANGELS AN EINEM PRODUKT, DESSEN BESTANDTEILEN, ZUBEHÖR ODER SERVICEREPARATUR HABEN KANN. EINIGE LÄNDER GESTATTEN NICHT DEN AUSSCHLUSS ODER DIE BESCHRÄNKUNG VON ZUFÄLLIGEN SCHÄDEN ODER FOLGESCHÄDEN, SO DASS DIE BESCHRÄNKUNG ODER DER AUSSCHLUSS OBEN MÖGLICHERWEISE NICHT AUF SIE ZUTRIFFT, SOWEIT DIES NACH GELTENDEM RECHT UNZULÄSSIG IST.
- 5.3 IN KEINEM FALL ÜBERSTIEGT DIE GESAMTE UND AGGREGIERTE HAFTUNG DER SEGWAY-PARTEIEN UND DER SEGWAY-HÄNDLER FÜR ALLE ANSPRÜCHE UNTER JEDLICHEM ANWENDBAREN RECHT ODER JEDLICHER THEORIE, GESAMTSCHULDNERISCH ODER EINZELN, DIE SICH AUS DEM KAUF DES PRODUKTS, DER NUTZUNG DES PRODUKTS, VERTRAGSBRUCH, UNERLAUBTEN HANDLUNGEN (EINSCHLIESSLICH FAHRLÄSSIGKEIT) ODER ANDERWEITIG ERGEBEN, DIE PFLICHT ZUR REPARATUR ODER ZUM ERSATZ EINES FEHLERHAFTEN PRODUKTS, WOBEI DIES WEITERHIN IM ALLEINIGEN UND AUSSCHLIESSLICHEN ERMESSEN VON SEGWAY LIEGT. IN KEINEM FALL HAFTEN DIE SEGWAY-PARTEIEN UND SEGWAY-HÄNDLER GEGENÜBER EINER PERSON FÜR FOLGESCHÄDEN, INDIREKTE, ZUFÄLLIGE, BESONDERE, EXEMPLARISCHE, STRAFENDE ODER ERHÖHTE SCHÄDEN, DIE SICH AUS DEM KAUF DES PRODUKTS, EINER VERLETZUNG DIESER VEREINBARUNG ODER DER HERSTELLERPFLICHTEN ERGEBEN ODER DAMIT IN ZUSAMMENHANG STEHEN, UNABHÄNGIG DAVON, (A) OB SOLCHE SCHÄDEN VORHERSEHBAR WAREN, (B) UNABHÄNGIG DAVON, OB SEGWAY ODER ANDERE SEGWAY-PARTEIEN ÜBER DIE MÖGLICHKEIT SOLCHER SCHÄDEN INFORMIERT WAREN, UND (C) UNABHÄNGIG VON DER RECHTLICHEN ODER BILLIGKEITSRECHTLICHEN THEORIE (VERTRAG, UNERLAUBTE HANDLUNG ODER SONSTIGES), AUF DIE SICH DER ANSPRUCH STÜTZT, ES SEI DENN, SOLCHE BESCHRÄNKUNGEN UND AUSSCHLÜSSE SIND NACH GELTENDEM RECHT VERBOTEN. DIE VORSTEHENDEN BESCHRÄNKUNGEN ODER AUSSCHLÜSSE GELTEN AUCH DANN, WENN DIE RECHTSMITTEL EINES GESCHÄDIGTEN KUNDEN ODER EINER ANDEREN PERSON (DIE KRAFT GESETZES ODER BILLIGKEIT EIN RECHT ODER EINEN ANSPRUCH AUS DIESER VEREINBARUNG HABEN KÖNNTE) IM RAHMEN DIESER VEREINBARUNG IHREN WESENTLICHEN ZWECK VERFEHLEN. FÜR DEN FALL, DASS EINIGE LÄNDER DEN AUSSCHLUSS ODER DIE BESCHRÄNKUNG BESTIMMTER ODER ALLER DER VORSTEHENDEN SCHÄDEN NICHT ZULASSEN, SO DASS DIESE BESCHRÄNKUNGEN ODER AUSSCHLÜSSE, SOWEIT SIE GESETZLICH NICHT ZULÄSSIG SIND, FÜR SIE MÖGLICHERWEISE NICHT GELTEN. EINIGE LÄNDER GESTATTEN DEN AUSSCHLUSS ODER DIE BESCHRÄNKUNG VON ZUFÄLLIGEN SCHÄDEN ODER FOLGESCHÄDEN NICHT. IN DEM UMFANG, IN DEM SOLCHE BESCHRÄNKUNGEN ODER AUSSCHLÜSSE GESETZLICH NICHT ÄSSIG SIND, GILT DIE BESCHRÄNKUNG ODER DER AUSSCHLUSS OBEN MÖGLICHERWEISE NICHT FÜR SIE.

- 5.4 Soweit nach geltendem Recht zulässig, LEHNEN die SEGWAY-PARTEIEN und die SEGWAY-HÄNDLER hiermit jegliche Haftung AB und sind somit nicht verantwortlich für Schäden, einschließlich, aber nicht beschränkt auf Tod, Körperverletzung oder Sachschäden, die sich aus oder im Zusammenhang mit einem Verhalten (einschließlich Fehlverhalten), einer Aktion, Untätigkeit, Handlung (einschließlich Unterlassung), eines Versäumnisses oder Fahrlässigkeit eines autorisierten oder nicht autorisierten Händlers, Distributors, Großhändlers, Einzelhändlers, Dienstleistungsanbieters oder einer dritten Partei ergeben, die in den Vertrieb des Produkts oder der damit verbundenen Dienstleistungen involviert ist. Soweit nach geltendem Recht zulässig, stellen die hierin enthaltenen ausdrücklichen Zusicherungen und Garantien die einzigen Zusicherungen und Garantien dar, die von den SEGWAY-PARTEIEN gegenüber IHNEN, einem Verbraucher und/oder Endnutzer abgegeben werden, und die SEGWAY-PARTEIEN sind nicht für andere Zusicherungen und/oder Garantien verantwortlich, die möglicherweise von einer anderen Person abgegeben und/oder bereitgestellt werden, es sei denn, die SEGWAY-PARTEIEN haben in schriftlicher Form eine solche zusätzliche Zusicherung und/oder Garantie gegenüber dem Verbraucher oder Endnutzer ausdrücklich genehmigt.

6. Ansprüche, Streitbeilegung und Schiedsverfahren

DIE HIERIN ENTHALTENEN KLAUSELN SIND RECHTSVERBINDLICH ZWISCHEN IHNEN (ENTWEDER EINER NATÜRLICHEN ODER JURISTISCHEN PERSON) UND SEGWAY DISCOVERY B.V., SEINEN VERBUNDENEN UNTERNEHMEN, SEGWAY-PARTEIEN UND SEGWAY-HÄNDLERN. DIE HIERIN ENTHALTENEN KLAUSELN KÖNNEN IHRE RECHTE BEEINTRÄCHTIGEN, UND ES LIEGT IN IHRER VERANTWORTUNG, DIE FOLGENDEN ABSCHNITTE ZU LESEN. SIE KÖNNEN INNERHALB VON 30 KALENDERTAGEN NACH DEM ERSTEN VERBRAUCHERKAUF VON DER VEREINBARUNG ZURÜCKTRETEN, INDEM SIE EINE E-MAIL AN OPTOUT@SEGWAY.COM SENDEN UND DIE ENTSPRECHENDEN INFORMATIONEN ANGEBEN. WEITERE INFORMATIONEN FINDEN SIE IM ABSCHNITT 6.2.

6.1 Verbindliches Schiedsverfahren

Die Segway-Parteien, die Segway-Händler und Sie erklären sich damit einverstanden, dass alle Streitigkeiten, Meinungsverschiedenheiten oder Ansprüche, die sich aus dieser Vereinbarung, der beschränkten Garantie, dem Verkauf, dem Zustand oder der Leistung des Produkts ergeben, unabhängig davon, ob sie auf einem Vertrag, einer unerlaubten Handlung, Betrug, falscher Darstellung oder einer anderen Rechtstheorie beruhen, einschließlich, aber nicht beschränkt auf Ansprüche wegen Todesfällen, Verletzungen oder Sachschäden, den Gesetzen der Niederlande unterliegen und nach diesen unter Ausschluss der Bestimmungen des Kollisionsrechts ausgelegt, und von der Internationalen Handelskammer (ICC) gemäß der jeweils gültigen ICC-Schiedsgerichtsordnung von 2021 (ICC-Regeln) endgültig entschieden werden, wobei diese Regeln durch Verweis in diese Klausel als einbezogen gelten. Darüber hinaus stimmen die Parteien Folgendem zu:

- i. Der Sitz des Schiedsgerichts ist Amsterdam, Niederlande.
- ii. Das Schiedsgericht besteht aus 3 Schiedsrichtern.
- iii. Die Sprache des Schiedsverfahrens ist Englisch.

Die Klausel in Abschnitt 6 „Ansprüche, Streitbeilegung und obligatorisches Schiedsverfahren“ gilt auch nach Beendigung oder Ablauf dieser Vereinbarung und/oder der beschränkten Garantie oder für den Fall, dass diese Vereinbarung und/oder die beschränkte Garantie von einer zuständigen Rechtsprechungsinstitution mit tatsächlicher Autorität und Zuständigkeit für diese Angelegenheit ganz oder teilweise für nichtig, anfechtbar, ungültig oder nicht durchsetzbar erklärt wird.

6.2 Abmelden

SIE KÖNNEN SICH VON DIESEM STREITBEILEGUNGSVERFAHREN ABMELDEN, INDEM SIE SEGWAY ODER DIE SEGWAY-PARTEIEN NICHT SPÄTER ALS DREISSIG (30) KALENDERTAGE NACH DEM DATUM DES ERSTEN KAUFES DES PRODUKTS DURCH DEN VERBRAUCHER BENACHRICHTIGEN. UM SICH ABZUMELDEN, MÜSSEN SIE EINE MITTEILUNG PER E-MAIL AN OPTOUT@SEGWAY.COM MIT DER FOLGENDEN BETREFFZEILE SENDEN: „ABMELDUNG VOM SCHIEDSVERFAHREN.“ DIE ABMELDUNG PER E-MAIL MUSS FOLGENDE ANGABEN ENTHALTEN: (A) IHREN NAMEN, IHRE E-MAIL-ADRESSE, IHRE POSTANSCHRIFT UND IHRE TELEFONNUMMER; (B) DAS DATUM, AN DEM DAS PRODUKT GEKAUFT WURDE; (C) DIE MODELLBEZEICHNUNG ODER MODELLNUMMER DES PRODUKTS; UND (D) DIE SERIENNUMMER. ALTERNATIV KÖNNEN SIE SICH ABMELDEN, INDEM SIE EIN ABMELDESCHREIBEN AN FOLGENDE SEGWAY-ADRESSE SENDEN: Dynamostraat 7, 1014BN, Amsterdam, The Netherlands. EINSCHREIBEN INNERHALB VON DREISSIG (30) KALENDERTAGEN AB DEM DATUM DES KAUFES DES PRODUKTS DURCH DEN ERSTEN ENDVERBRAUCHER BEIM SEGWAY-HÄNDLER. DAS ABMELDESCHREIBEN ENTHÄLT DIE FOLGENDEN INFORMATIONEN: (A) IHREN NAMEN, IHRE E-MAIL-ADRESSE, IHRE POSTANSCHRIFT UND IHRE TELEFONNUMMER; (B) DAS DATUM, AN DEM DAS PRODUKT GEKAUFT WURDE; (C) DIE MODELLBEZEICHNUNG ODER MODELLNUMMER DES PRODUKTS; (D) DIE SERIENNUMMER; UND (E) EINE ERKLÄRUNG WIE FOLGT: DER OBEN GENANNTEN VERBRAUCHER ENTSCHIEDET SICH FÜR EINE ABMELDUNG VOM STREITBEILEGUNGSVERFAHREN, WIE ES IN DIESER BESCHRÄNKTEN GARANTIE VORGEGEHEN IST. DIES SIND DIE EINZIGEN BEIDEN EFFEKTIVEN MÖGLICHKEITEN, SICH VON DIESEM STREITBEILEGUNGSVERFAHREN ABZUMELDEN. DIE ABMELDUNG VON DIESEM STREITBEILEGUNGSVERFAHREN HAT KEINERLEI AUSWIRKUNGEN AUF DIE ABDECKUNG DER BESCHRÄNKTEN GARANTIE, UND SIE KOMMEN WEITERHIN IN DEN GENUSS DER VORTEILE DER BESCHRÄNKTEN GARANTIE.

6.3 Sprache

Diese Vereinbarung kann in verschiedene Sprachen übersetzt werden. Im Falle eines Konflikts ist die englische Version maßgebend und regelnd.

5 EU-KONFORMITÄTSERKLÄRUNG

Hersteller

Name: Willand (Beijing) Technology Co., LTD.

Adresse: Room 203, A1 Bldg. Zhongguancun Dongsheng Technology Park (Northern Territory), No. 66, Xixiaokou Rd, Haidian Dist., Beijing, China.

Bevollmächtigter Vertreter

Name: Segway Discovery B.V.

Adresse: Dynamostraat 7, 1014BN Amsterdam, Niederlande

Gegenstand der Erklärung

Allgemeine Bezeichnung: Mähroboter

Produktname: Navimow

Typ/Modell: H500E/H800E/H1500E/H3000E

Seriennummer: S2RA x yyyy x yyyy/S2RC x yyyy x yyyy/S2RE x yyyy x yyyy/S2RT x yyyy x yyyy

(„x“ steht für jeden beliebigen Buchstaben von A-Z außer O und I, „y“ steht für jeden beliebigen Buchstaben von A-Z außer O und I oder eine beliebige Zahl von 0-9)

Diese Konformitätserklärung wird unter der alleinigen Verantwortung des Herstellers ausgestellt.

Der oben beschriebene Gegenstand der Erklärung steht im Einklang mit den folgenden EU-Richtlinien:

1. Funkanlagenrichtlinie (2014/53/EU)
2. Maschinenrichtlinie (2006/42/EG)
3. RoHS-Richtlinie (2011/65/EU) und Änderungsrichtlinie ((EU)2015/863)

Die Konformität mit diesen Richtlinien wurde für dieses Produkt durch den Nachweis der Übereinstimmung mit den folgenden harmonisierten Normen und/oder technischen Daten bewertet:

EN 60335-1:2012+A11:2014+AC:2014+A13:2017+A1:2019+A14:2019+A2:2019

EN 50636-2-107:2015+A1:2018+A2:2020

EN IEC 61000-3-2:2019+A1:2021

EN 61000-3-3:2013+A1:2019

EN IEC 55014-1:2021

EN IEC 55014-2:2021

ETSI EN 300 220-1 V3.1.1

ETSI EN 300 220-2 V3.1.1

ETSI EN 300 328 V2.2.2

ETSI EN 303 413 V1.1.1

EN 50665:2017

EN 62133-2:2017

ETSI EN 301 908-1 V13.1.1

ETSI EN 301 908-13 V13.1.1

ETSI EN 301 489-1 V2.2.3

ETSI EN 301 489 - 3 V2.2.0

ETSI EN 301 489-17 V3.2.4

ETSI EN 301 489-19 V2.1.1

ETSI EN 301 489-52 V1.2.1

ETSI EN 301 511 V12.5.1

EN IEC 62311:2020

EN IEC 63000:2018

Unterzeichnet für und im Namen von: Willand (Beijing) Technology Co., LTD.

Ort: Changzhou, China

Name: Crystal Zhuang

Unterschrift: *Crystal Zhuang*

Datum: 22.02.2022

Funktion: Zertifizierungsmanager

6 Zertifizierungen

Übereinstimmungserklärung der Europäischen Union

Informationen zur Entsorgung für Nutzer von Elektro- und Elektronik-Altgeräten



Dieses Symbol auf dem Produkt oder seiner Verpackung weist darauf hin, dass gebrauchte elektrische und elektronische Produkte nicht mit unsortiertem Hausmüll vermischt werden dürfen. Um eine ordnungsgemäße Verarbeitung zu gewährleisten, sind Sie dafür verantwortlich, Ihre Altgeräte bei den dafür vorgesehenen Sammelstellen abzugeben.

Die ordnungsgemäße Entsorgung dieses Produkts trägt dazu bei, wertvolle Ressourcen zu sparen und mögliche negative Auswirkungen auf die menschliche Gesundheit und die Umwelt zu vermeiden, die sonst durch unsachgemäße Abfallentsorgung entstehen könnten.

Um Ihr gebrauchtes Gerät zurückzugeben, nutzen Sie bitte die Rückgabe- und Sammelsysteme oder wenden Sie sich an den Händler, bei dem Sie das Produkt gekauft haben. Die Rückgabe ist kostenlos. Wenden Sie sich bitte an Ihre örtliche Behörde, um weitere Informationen über die nächstgelegene Sammelstelle zu erhalten.

Bei unsachgemäßer Entsorgung dieser Abfälle können gemäß den nationalen Rechtsvorschriften Strafen verhängt werden.

Informationen zur Entsorgung für Nutzer von Altbatterien



Dieses Symbol bedeutet, dass Batterien und Akkus am Ende ihrer Lebensdauer nicht mit unsortiertem Hausmüll vermischt werden dürfen. Ihre Teilnahme ist ein wichtiger Teil der Bemühungen, die Auswirkungen von Batterien und Akkumulatoren auf die Umwelt und die menschliche Gesundheit zu minimieren. Für ein ordnungsgemäßes Recycling können Sie dieses Produkt oder die darin enthaltenen Batterien oder Akkus an Ihren Lieferanten oder an eine dafür vorgesehene Sammelstelle zurückgeben, was kostenlos ist.

Die ordnungsgemäße Entsorgung dieses Produkts trägt dazu bei, wertvolle Ressourcen zu sparen und mögliche negative Auswirkungen auf die menschliche Gesundheit und die Umwelt zu vermeiden, die sonst durch unsachgemäße Abfallentsorgung entstehen könnten.

Bei unsachgemäßer Entsorgung dieser Abfälle können gemäß den nationalen Rechtsvorschriften Strafen verhängt werden.

Es gibt getrennte Sammelsysteme für Altbatterien und -akkumulatoren.

Bitte entsorgen Sie Batterien und Akkus ordnungsgemäß bei Ihrer örtlichen kommunalen Sammel-/Recyclingstelle.

Richtlinie zur Einschränkung der Verwendung bestimmter gefährlicher Stoffe (RoHS)

Willand (Beijing) Technology Co., LTD. erklärt hiermit, dass das gesamte Produkt einschließlich der Teile (Kabel, Leitungen usw.) die Anforderungen der RoHS-Richtlinie 2011/65/EU und der Änderung der Delegierten Richtlinie (EU) 2015/863 der Kommission zur Einschränkung der Verwendung bestimmter gefährlicher Stoffe in Elektro- und Elektronikgeräten („RoHS-Neufassung“ oder „RoHS 2.0“) erfüllt.

Funkanlagenrichtlinie

Hiermit erklärt Willand (Beijing) Technology Co., LTD., dass das in diesem Abschnitt aufgeführte Produkt den grundlegenden Anforderungen und anderen relevanten Bestimmungen der Funkanlagenrichtlinie 2014/53/EU entspricht.

Maschinenrichtlinie

Hiermit erklärt Willand (Beijing) Technology Co., LTD., dass das in diesem Abschnitt aufgeführte Produkt den grundlegenden Anforderungen und anderen relevanten Bestimmungen der Maschinenrichtlinie 2006/42/EG entspricht.

Bevollmächtigter Vertreter (Europa):



Segway Discovery B.V. Dynamostraat 7, 1014BN Amsterdam, Niederlande.

Willand (Beijing) Technology Co., LTD. erklärt hiermit, dass das Produkt den grundlegenden Anforderungen und anderen relevanten Bestimmungen der RoHS-Richtlinie 2011/65/EU und der Änderung der Delegierten Richtlinie (EU) 2015/863 der Kommission, der Funkanlagenrichtlinie 2014/53/EU und der Maschinenrichtlinie 2006/42/EG entspricht.

Bluetooth	Frequenzband(/-bänder)	2,4000-2,4835 GHz
	Max. RF-Leistung	20 mW

7 Kontakt

Hersteller: Willand (Beijing) Technology Co., LTD.

Adresse: Room 203, A1 Bldg. Zhongguancun Dongsheng Technology Park (Northern Territory), No. 66, Xixiaokou Rd, Haidian Dist., Beijing, China.

Wenden Sie sich an uns, wenn Probleme im Zusammenhang mit dem Betrieb, der Wartung und Sicherheit oder wenn Fehler/Probleme mit Ihrem Mähroboter auftreten sollten.

Bevollmächtigter Vertreter (Europa): Segway Discovery B.V., Dynamostraat 7, 1014BN Amsterdam, Niederlande.

Bevollmächtigter Vertreter: Segway Discovery B.V., Hogehilweg 8 - 6th Floor, 1101CC Amsterdam, Niederlande.

Website: navimow.segway.com

EN	Important Information	2
DE	Wichtige Informationen	20
FR	Informations importantes	36
IT	Informazioni importanti	52
NL	Belangrijke informatie	68
SV	Viktig information	84
FI	Tärkeitä tietoja	100
NO	Viktig informasjon	116
DA	Vigtig information	132

Table des matières

1 Avertissements de sécurité	37
2 Pièces et fonctions	40
3 Entretien	42
4 Garantie limitée	45
5 TRADUCTION DE LA DÉCLARATION DE CONFORMITÉ ORIGINALE	49
6 Certifications	50
7 Nous contacter	50
Traduction des instructions originales	

1 Avertissements de sécurité

IMPORTANT

LIRE ATTENTIVEMENT AVANT L'UTILISATION

CONSERVER POUR RÉFÉRENCE FUTURE

- 1) Assurez-vous d'installer et d'utiliser le Navimow (appelé « tondeuse » dans le manuel) et la station de charge conformément aux instructions. Rendez-vous sur navimow.segway.com pour obtenir le manuel de l'utilisateur complet et les derniers documents utilisateur.
- 2) Le produit peut être utilisé à la fois par le grand public et à des fins professionnelles. L'utilisation de la tondeuse à d'autres fins que la tonte peut entraîner des blessures graves. Pour éviter les risques de blessures, veuillez lire et comprendre tous les avertissements et mises en garde. Vous pouvez réduire le risque en suivant les instructions et avertissements dans ce manuel, mais vous ne pouvez pas éliminer tous les risques. L'opérateur ou l'utilisateur est responsable des accidents ou des dangers survenant à d'autres personnes sur sa propriété.
- 3) Navimow est doté de nombreux capteurs de sécurité intégrés, cependant, les risques de sécurité existent toujours. Définissez une heure de tonte lorsqu'il n'y a aucune personne ou animal sur la pelouse. Informez les voisins des risques d'accidents ou de dangers. Lorsque vous utilisez la tondeuse sur une pelouse publique, ou lorsque votre pelouse est ouverte sur le terrain de votre voisin ou la rue, protégez ou clôturez la pelouse, ou placez un panneau d'avertissement autour de la zone de tonte indiquant : AVERTISSEMENT Tondeuse automatique Tenez-vous à l'écart de la machine Surveillez les enfants
- 4) NE modifiez PAS la tondeuse vous-même. Des modifications pourraient interférer avec le fonctionnement, engendrer des blessures graves et/ou des dommages, et annuler la Garantie limitée. N'utilisez que des pièces et accessoires approuvés par Segway.
- 5) Le fabricant recommande que l'utilisateur soit âgé de 18 à 70 ans. Assurez-vous d'avoir la formation nécessaire avant d'utiliser la machine.

⚠ AVERTISSEMENT

Ne permettez jamais aux enfants, aux personnes aux capacités physiques, sensorielles ou mentales réduites ou manquant d'expérience et de connaissances ou à des personnes ne connaissant pas ces instructions d'utiliser la machine. Les réglementations locales peuvent restreindre l'âge de l'opérateur.

Avant de tondre :

- Vérifiez régulièrement que toutes les pièces de la tondeuse fonctionnent normalement.
- Pour de meilleurs résultats de tonte, il est recommandé de tondre par temps sec. Tondre sous la pluie peut faire adhérer l'herbe au produit et la tondeuse peut glisser. NE PAS tondre par mauvais temps, comme une forte pluie, un orage ou de la neige.
- Inspectez périodiquement la zone où la machine doit être utilisée et retirez toutes les pierres, bâtons, fils, os et autres objets étrangers. La garantie limitée ne couvre pas les dommages causés par des objets laissés sur la pelouse.
- Pour éviter tout dommage éventuel, maintenez la tondeuse en fonctionnement à au moins 1 mètre (3 pieds) des têtes d'arrosage. La tondeuse et l'arrosage ne doivent PAS fonctionner simultanément. Programmez la tondeuse pour qu'elle fonctionne à un moment différent de l'arrosage.
- NE JAMAIS permettre aux enfants de toucher l'alimentation, la station de charge, les lames, le compartiment de la batterie ou toute pièce présentant des espaces tels que les roues.

⚠ AVERTISSEMENT

Ne jamais faire fonctionner la machine et/ou ses accessoires avec des protections ou des écrans défectueux, ou si le cordon est endommagé ou usé.

Pendant la tonte :

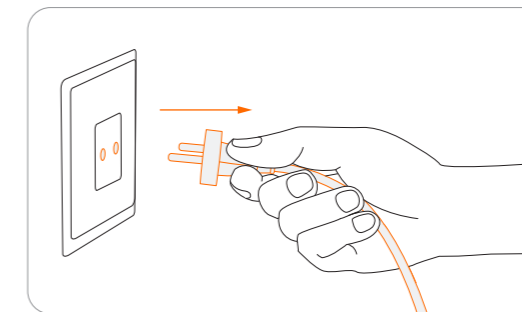
- Tenez-vous à l'écart des lames rotatives. NE PAS mettre les mains ou les pieds sous ou près des lames rotatives.
- Faites attention aux éventuelles projections d'objets. Gardez une distance de sécurité avec la tondeuse lors de son fonctionnement.
- NE laissez PAS la machine fonctionner sans surveillance si vous savez qu'il y a des animaux domestiques, des enfants ou des personnes à proximité.
- Gardez une posture normale. Gardez votre équilibre à tout moment et assurez-vous toujours de la stabilité sur les pentes. Marchez, ne courez jamais lorsque vous utilisez la machine ou ses accessoires.

⚠ AVERTISSEMENT

- NE laissez PAS les enfants se tenir à proximité ou jouer avec la machine lorsqu'elle est en marche.
- NE soulevez PAS la tondeuse en fonctionnement. NE MONTEZ PAS sur la tondeuse.
- NE PAS tondre sur des zones avec des pentes plus raides que l'inclinaison maximale à l'intérieur de la zone de travail (45 %), ainsi que la limite (10 %).
- Si la tondeuse émet un son anormal ou signale une alarme, appuyez immédiatement sur le bouton STOP.
- S'il y a des vibrations anormales, éteignez la tondeuse, placez-la sur un sol plat pendant environ 30 secondes, puis redémarrez. Si le problème persiste, contactez un service après-vente agréé.
- NE touchez PAS les pièces dangereuses en mouvement avant qu'elles ne se soient complètement arrêtées.

Utilisation sûre :

- NE PAS utiliser la tondeuse en dehors des limites de température : -10 à 50 °C (14 à 122 °F), car des températures basses/élevées peuvent diminuer les performances de la tondeuse, voire même entraîner des accidents.
- Ne rien placer sur la tondeuse ou la station de charge.
- Il est recommandé de procéder à un entretien régulier de la tondeuse (*voir Entretien*) par un adulte.
- Vérifiez régulièrement les dispositifs d'avertissement pour vous assurer qu'ils sont opérationnels. Ces dispositifs comprennent l'avertisseur sonore, le voyant LED sur la station de charge et la lumière ambiante sur la tondeuse.
- Avant de charger, veuillez lire *Comment charger* dans le manuel de l'utilisateur. Une mauvaise utilisation peut provoquer un choc électrique, une surchauffe ou une fuite de liquide corrosif.
- Si le cordon de l'alimentation ou du câble d'extension est endommagé ou emmêlé pendant l'utilisation, débranchez l'alimentation de la prise de courant, puis démêlez-le. Pour éviter tout danger, tirez sur le corps de la fiche plutôt que sur le cordon lorsque vous séparez l'alimentation de la prise de courant. Contactez le service après-vente et demandez à un technicien professionnel de réparer ou de remplacer le cordon.



Symboles et étiquettes

Veuillez étudier attentivement les symboles sur le produit et les étiquettes et comprenez leur signification :



AVERTISSEMENT - Lisez le manuel d'instructions avant d'utiliser la machine.



AVERTISSEMENT - Ne touchez pas la lame rotative.



AVERTISSEMENT - Gardez une distance de sécurité avec la machine pendant son fonctionnement.



AVERTISSEMENT - Ne montez pas sur la machine.



AVERTISSEMENT - Actionnez le dispositif de désactivation avant de travailler sur ou de soulever la machine*.
*Assurez-vous que la tondeuse est verrouillée par le code PIN avant de la soulever ou de l'utiliser.



AVERTISSEMENT - Il est interdit de jeter ce produit avec les déchets ménagers normaux. Assurez-vous que le produit est recyclé conformément aux exigences légales locales.



Ce produit est conforme aux directives CE applicables.



Ce produit est conforme aux réglementations de restriction des substances dangereuses.



Avant de le charger, lisez les instructions.



Ce produit est conforme à la législation britannique applicable.



Polarité du port de charge



Appareil de classe II



SMPS incorporant un transformateur d'isolement de sécurité résistant aux courts-circuits (intrinsèquement ou non)



SMPS (unité d'alimentation à découpage)



Efficacité DoE niveau VI



L'altitude maximale d'utilisation est de 5 000 m



IP55/IP66

ta: 40°C

La température maximale d'utilisation est de 40 °C



Courant continu



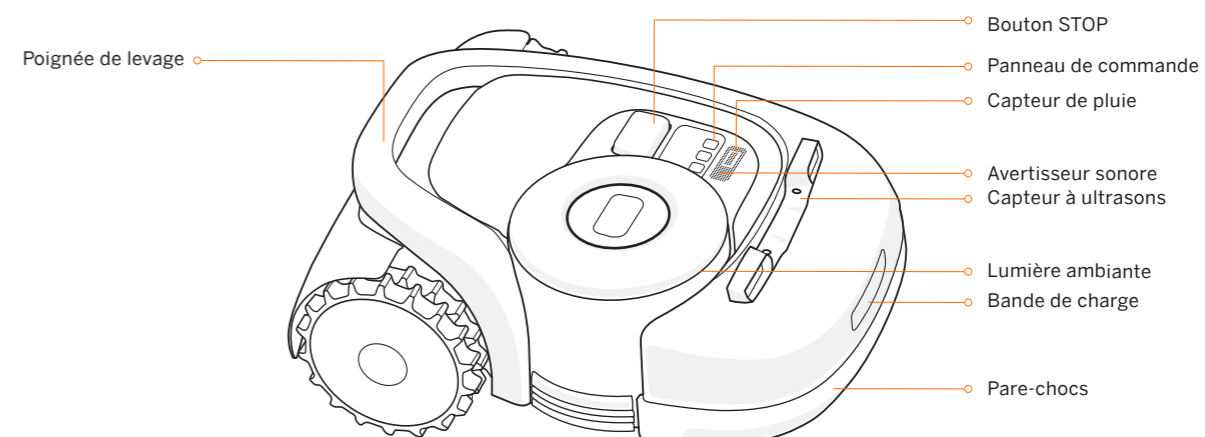
Courant alternatif



Appareil de classe III

2 Pièces et fonctions

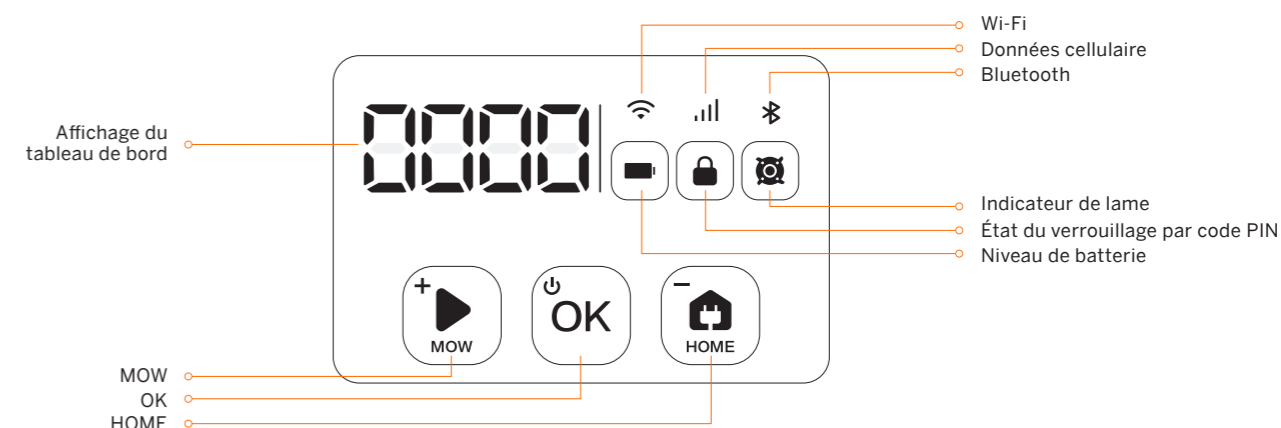
Vue de dessus



Lumière ambiante : lorsqu'une anomalie se produit, l'anneau LED clignote en rouge avec une sonnerie.

Capteur à ultrasons : certains modèles sont équipés d'un capteur à ultrasons. Le capteur est également vendu séparément et peut être installé sur tous les modèles Navimow. Consultez votre revendeur pour plus de détails.

Panneau de commande



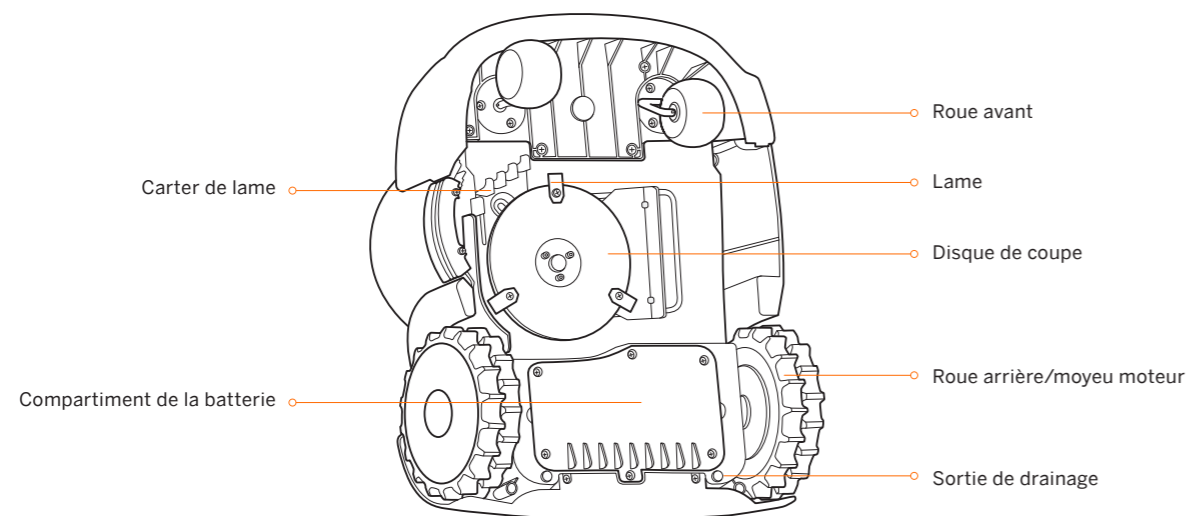
Niveau de batterie : la couleur indique le niveau de batterie : 50%–100% vert fixe, 20%–49% jaune fixe, 5%–19% rouge fixe, ≤ 5 % rouge clignotant. Lorsque l'icône de la batterie est rouge, la tondeuse doit être rechargée.

Affichage du tableau de bord : indique le pourcentage de tonte, le code PIN, le code d'erreur, etc.

Code PIN : avant d'utiliser manuellement la tondeuse, vous devez entrer le code PIN. Le code par défaut est 0000 et peut être modifié via l'application Navimow (appelée « application » dans ce manuel). Appuyez sur MOW/HOME pour augmenter/diminuer le nombre et appuyez sur OK pour confirmer le code.

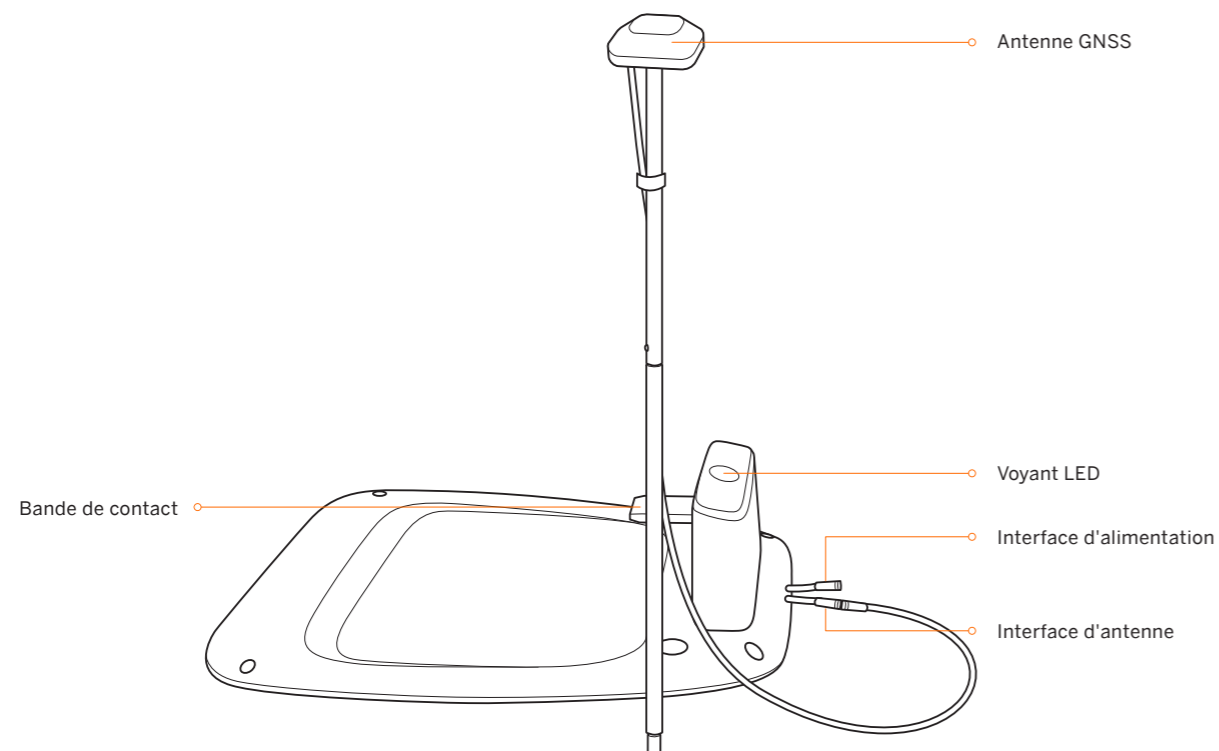
Opérations de base

- Mise sous tension : appuyez sur OK.
- Mise hors tension : appuyez sur la touche OK et maintenez-la enfoncée pendant 4 secondes, ou mettez hors tension via l'application. La tondeuse ne peut pas être éteinte lorsqu'elle est à la station de charge.
- Commencer à tondre : appuyez sur MOW puis sur OK.
- Arrêter le fonctionnement de la tondeuse : appuyez sur STOP.
- Retourner la tondeuse à la station de charge : appuyez sur HOME puis sur OK.



Sortie de drainage : si la tondeuse tombe dans l'eau, retirez-la immédiatement et placez la tondeuse avec le côté droit orienté vers le haut pour la vider. Ne plongez jamais la tondeuse dans l'eau, sinon les composants pourraient être endommagés et la garantie limitée sera annulée.

Station de charge et antenne GNSS



REMARQUE : si l'antenne GNSS est obstruée, ce qui entraîne un signal médiocre et un positionnement imprécis, veuillez acheter le kit d'extension d'antenne et l'installer selon les instructions.

3 Entretien

Pour obtenir de meilleurs résultats de tonte et augmenter la durée de vie, assurez-vous de garder la tondeuse propre et les lames en bon état. L'inspection et l'entretien doivent être effectués par un adulte chaque semaine. Toute pièce endommagée ou usée doit être remplacée. **N'effectuez PAS d'entretien lorsque vous portez des sandales ouvertes ou êtes pieds nus. Portez toujours des pantalons longs et des chaussures de travail lors de l'entretien de la tondeuse.**

1) Nettoyage

Utilisez une brosse douce ou un chiffon pour nettoyer. Ne nettoyez pas avec de l'alcool, de l'essence, de l'acétone ou tout autre solvant corrosif/volatile. Ces substances peuvent endommager l'aspect et la structure interne de votre tondeuse. Pour un raccordement correct, inspectez et nettoyez périodiquement les débris et la boue éventuellement présents sur la station de charge. Assurez-vous que toutes les pièces de connexion de la station de charge, le câble d'extension et l'alimentation électrique ne sont pas obstrués.

A. Châssis et disque à lames

Si le châssis et le disque à lames sont sales, nettoyez-les à l'aide d'une brosse ou d'un tuyau d'arrosage. NE PAS utiliser de nettoyeur haute pression. Dans le même temps, assurez-vous que le disque à lames tourne librement et que les lames peuvent pivoter librement. MISE EN GARDE : l'eau à haute pression peut s'infiltrer dans les joints et endommager les pièces électroniques et mécaniques.

B. Roues

L'herbe sur les roues peut affecter les performances de la tondeuse lorsqu'elle monte des pentes. Retirez la boue ou d'autres corps étrangers pour assurer une bonne adhérence.

C. Capteur de pluie

Vérifiez une fois par semaine et assurez-vous que le capteur de pluie n'est pas recouvert de boue, d'herbe ou d'autres objets. Vous pouvez le laver à l'eau ou le nettoyer avec une brosse douce.

⚠ AVERTISSEMENT

- Avant le nettoyage, assurez-vous que la tondeuse est hors tension.
- Lorsque la tondeuse est retournée, elle doit être mise hors tension.

2) Remplacez les lames

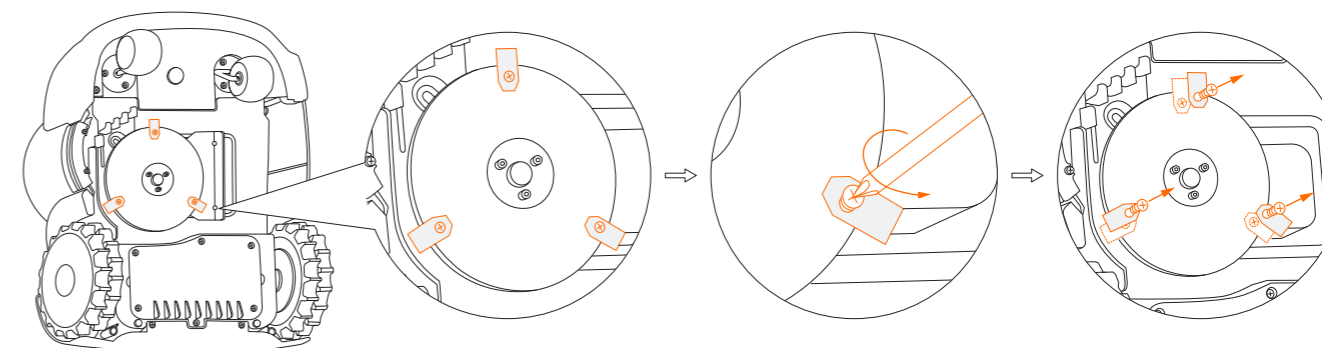
Si la tondeuse est utilisée régulièrement, il est recommandé de remplacer les lames et les vis tous les 1 à 2 mois pour garantir la sécurité et de meilleurs résultats de tonte. Remplacez les trois lames et leurs vis en même temps pour un système de coupe sûr.

⚠ AVERTISSEMENT

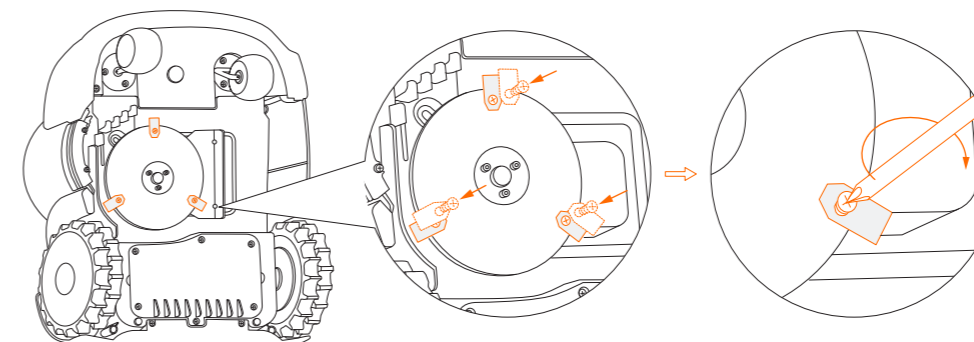
- Portez des gants épais lorsque vous inspectez ou entretenez la lame.
- Utilisez uniquement le bon type de vis et de lames d'origine approuvées par Segway. Modèle de lame : HA002E.
- NE réutilisez PAS les vis. Cela pourrait provoquer des blessures graves.

Comment remplacer les lames :

- 1 Éteignez la tondeuse.
- 2 Pour éviter les rayures, placez la tondeuse sur une surface douce et propre dans une position à l'envers.
- 3 Utilisez un tournevis cruciforme pour desserrer les trois vis.
- 4 Retirez les vis et les lames.



- 5 Fixez les nouvelles lames et vis (couple de serrage : 1 N m). Assurez-vous que les lames peuvent pivoter librement.

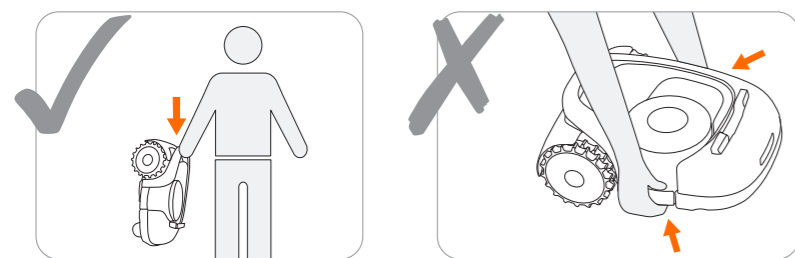


3) Transport

Pour protéger la tondeuse, utilisez l'emballage d'origine pour le transport longue distance. Avant de soulever, de déplacer ou de transporter autrement le produit, éteignez-le. Manipulez avec soin et évitez les chocs violents, par exemple en la lançant ou en appliquant une forte pression sur elle. Ne soulevez ou ne transportez jamais la tondeuse lorsque le moteur est en marche.

Comment déplacer ou soulever correctement :

Transportez la tondeuse par la poignée, le disque de coupe étant opposé à votre corps.



MISE EN GARDE :

Afin d'éviter d'endommager la tondeuse et/ou la station de charge, NE soulevez PAS le produit lorsqu'il est stationné dans la station de charge.

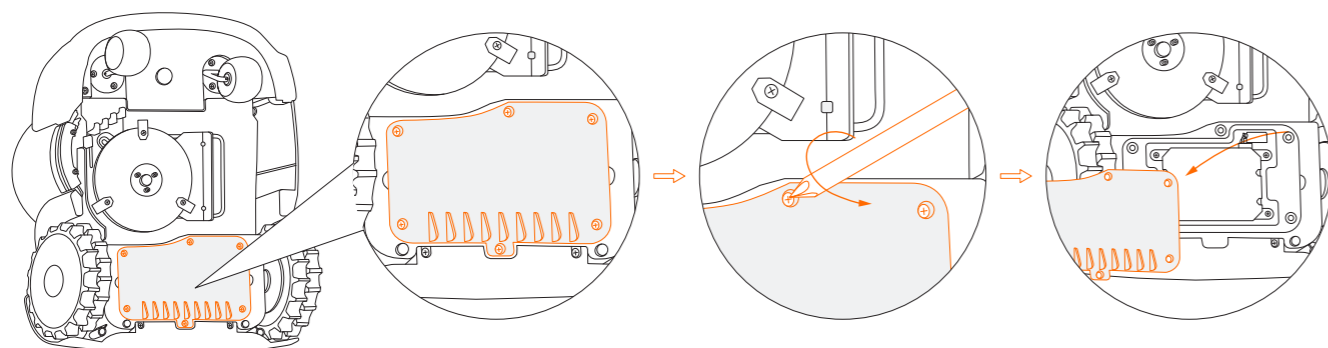
4) Batterie

Chargez complètement la batterie avant le rangement pour éviter une décharge excessive et des dommages aux composants électriques. Chargez la tondeuse tous les 120 jours pour un stockage de longue durée. Les dommages causés à la batterie par une décharge excessive ne seront pas couverts par la Garantie limitée. NE PAS utiliser ni stocker la batterie dans des conditions de température extrêmes, c'est-à-dire au-dessus de 50 °C (122 °F) ou en dessous de -20 °C (-4 °F).

REMARQUE : La durée de vie de la batterie dépend de la fréquence de fonctionnement du produit et du nombre total d'heures de travail. Lorsque la durée de fonctionnement est plus courte que d'habitude par charge complète ou que la pelouse n'est pas bien coupée, envisagez de remplacer la batterie.

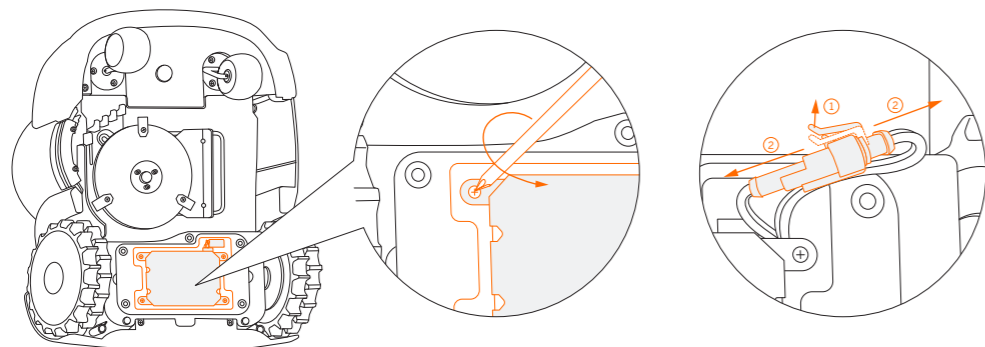
Comment remplacer la batterie :

- 1 Éteignez la tondeuse.
- 2 Placez la tondeuse sur une surface douce et propre en position à l'envers.
- 3 Utilisez un tournevis cruciforme pour desserrer les 6 vis du compartiment de la batterie.



4 Desserrez les 4 vis du compartiment de la batterie.

5 Débranchez les deux fiches.



6 Retirez la batterie et remplacez-la par une batterie neuve.

7 Connectez les fiches et serrez toutes les vis.

⚠ AVERTISSEMENT

- Utilisez uniquement la batterie d'origine ou celle du même modèle comme spécifié par Segway. Chaque tondeuse contient une batterie.
- Selon le modèle de tondeuse spécifique, la capacité nominale de la batterie est de 5200 mAh, 7800 mAh ou 10400 mAh.
- N'utilisez pas de batteries non rechargeables. Pour recharger la batterie, utilisez uniquement le bloc d'alimentation amovible fourni avec cet appareil. Pour l'Union européenne : à utiliser uniquement avec l'unité d'alimentation NBW32D002D5N - EU. Pour le Royaume-Uni : utiliser uniquement avec l'unité d'alimentation NBW32D002D5N - UK.
- Ne démontez ou ne perforez PAS le boîtier de la batterie. Tenir à l'écart des objets métalliques pour éviter les courts-circuits. Tenir à l'écart du feu, de la chaleur et de la lumière directe du soleil.
- Pour de plus amples informations sur la, batterie et les déchets électriques, veuillez contacter le service de traitement des déchets ménagers, votre bureau local ou régional de gestion des déchets ou votre point de vente.
- La batterie contient des électrolytes. Si la fuite d'électrolyte entre en contact avec votre peau, lavez immédiatement à l'eau et au savon. Obtenez une aide médicale en cas de contact avec les yeux et rincez immédiatement les yeux à grande eau pendant au moins 15 minutes sans frotter.

5) Alimentation

- Débranchez l'alimentation électrique :
 - Avant de dégager un blocage ;
 - Avant de vérifier, nettoyer ou travailler sur la machine ;
 - Après avoir heurté un objet étranger pour inspecter la machine pour détecter des dommages.
- Examinez régulièrement le cordon, la fiche, le boîtier et les autres pièces. Si des dommages ou des signes de vieillissement sont détectés, cessez immédiatement l'utilisation.

⚠ AVERTISSEMENT

- NE PAS utiliser une alimentation électrique endommagée. Si le cordon d'alimentation est endommagé, il doit être remplacé par le fabricant, son agent de service ou des personnes de qualification similaire afin d'éviter tout danger. Si le câble d'extension est défectueux, veuillez le remplacer par le câble de 10 mètres de long comme approuvé par Segway.
- NE connectez PAS un cordon endommagé à l'alimentation électrique ou ne touchez PAS un cordon ou une rallonge endommagé avant qu'il ne soit déconnecté de la prise de courant. Des cordons endommagés peuvent entrer en contact avec des pièces sous tension.
- N'utilisez PAS l'alimentation avec un autre produit ou une batterie, ceci peut causer des risques de blessures, d'incendie ou d'électrocution. La sécurité du produit ne peut pas être garantie avec des batteries autres que les batteries d'origine.
- NE PAS charger lorsque la batterie fuit.
- Éloignez le câble d'extension des pièces dangereuses en mouvement pour éviter d'endommager les cordons qui peuvent entrer en contact avec des pièces sous tension.

Recommandation

Connectez la tondeuse et/ou ses accessoires uniquement à un circuit d'alimentation protégé par un dispositif à courant résiduel (RCD) avec un courant de déclenchement ne dépassant pas 30 mA.

6) Rangement

- Avant de ranger la tondeuse, veuillez l'éteindre et la charger entièrement pour éviter une décharge excessive, ce qui entraînera des dommages permanents.
- Ranger dans un endroit frais et sec à l'intérieur. Une exposition à la lumière du soleil et à des températures extrêmes (qu'elles soient chaudes ou froides) accélérera le processus de vieillissement des composants et peut causer des dommages permanents à la batterie.
- Tenez la tondeuse, la station de charge et l'alimentation à l'écart des sources de chaleur (comme les cuisinières, radiateurs, etc.) ou des produits chimiques. Protégez l'alimentation de l'humidité et conservez-la dans un endroit bien ventilé.

⚠ AVERTISSEMENT

En cas de risque d'orage, débranchez l'alimentation de la prise de courant. Débranchez tous les câbles et fils se connectant à la station de charge. Rebranchez-les lorsqu'il n'y a plus de risque d'orage.

Hivernage

- Tondeuse
Nettoyez soigneusement la tondeuse avant de la ranger. Vérifiez les composants sujets à l'usure tels que les lames. Réparez-les ou remplacez-les s'ils sont en mauvais état. Rangez la tondeuse dans un endroit sec et à l'abri du gel, reposée sur toutes les roues, de préférence dans son emballage d'origine.
- Station de charge
Débranchez l'alimentation de la prise de courant et déconnectez-la de la station de charge. Rangez la station de charge à l'intérieur et à l'écart de la lumière directe du soleil.

3. Éligibilité de la Garantie limitée

- 3.1 Votre demande de service doit être reçue par Segway dans la durée de la Garantie limitée comme décrite ci-dessus. Segway doit également avoir reçu votre Produit comme indiqué dans la clause Procédure de service de la Garantie limitée ci-dessus.
- 3.2 Votre Produit doit être acheté auprès d'un Concessionnaire Segway agréé.
- 3.3 Vous devez fournir le ticket de caisse original.
- 3.4 Le numéro de série de votre Produit doit être lisible, net, non falsifié et non modifié.
- 3.5 Tous les cachets de garantie contre la falsification doivent être intacts, à leur place et non modifiés.

4. Exclusions de la Garantie limitée

Cette Garantie limitée décrit les services à votre disposition dans le cas où votre Produit requiert les services de la garantie ; vous pouvez également bénéficier de protections supplémentaires grâce à vos lois locales. Cette Garantie limitée ne couvre pas et exclut les dommages faits à votre produit ou à tout composant dans le cadre de :

- 4.1 Mauvais traitement, mauvaise utilisation, imprudence, négligence, ou utilisation commerciale.
- 4.2 Produit mal chargé, stockage, maintenance, ou toute opération sur le Produit non conforme aux instructions et limitations indiquées dans les documents d'utilisation.
- 4.3 Utilisation du Produit non conforme aux lois et réglementations en vigueur.
- 4.4 Utilisation du Produit par des personnes n'ayant pas l'expérience nécessaire.
- 4.5 Accident, collision, incendie, dégâts des eaux, dégâts chimiques, utilisation du produit en dehors de la plage de température de fonctionnement du produit, pulvérisation d'eau à haute pression, tremblement de terre, chute.
- 4.6 Modifications de pièces mécaniques, de pièces électroniques ou modification du logiciel installé sur le Produit.
- 4.7 Services, réparations et entretien réalisés par des fournisseurs non agréés.
- 4.8 Dommages cosmétiques.
- 4.9 Utilisation du Produit avec des produits, composants ou accessoires tiers.
- 4.10 Détérioration liée à l'usure normale des composants.
- 4.11 Utilisation du Produit au-delà de l'usure normale des composants.

5. DÉCLARATION DE RESPONSABILITÉ ET LIMITATIONS

- 5.1 LES PARTIES SEGWAY N'ASSUMENT, NI N'AUTORISENT PERSONNE À ASSUMER EN LEUR NOM, AUCUNE AUTRE OBLIGATION OU RESPONSABILITÉ QUANT AU PRODUIT, À SES COMPOSANTS, AUX ACCESSOIRES, AU SERVICE DE RÉPARATION, OU QUANT À CETTE GARANTIE LIMITÉE.
- 5.2 LES PARTIES SEGWAY ET LES CONCESSIONNAIRES SEGWAY NE SONT RESPONSABLES D'AUCUNE PERTE D'UTILISATION DU PRODUIT, DE SES COMPOSANTS, DE SES ACCESSOIRES, OU D'AUCUNE AUTRE INCONVENANCE OU AUTRE PERTE OU DOMMAGE POUVANT ÊTRE CAUSÉ PAR UN DÉFAUT DU PRODUIT, DE SES COMPOSANTS, DE SES ACCESSOIRES, DE SON SERVICE DE RÉPARATION, OU TOUT AUTRE DOMMAGE ACCIDENTEL OU CONSÉCUTIF RENCONTRÉ PAR VOUS PROVENANT D'UN DÉFAUT DU PRODUIT, DE SES COMPOSANTS, DE SES ACCESSOIRES, OU DE SON SERVICE DE RÉPARATION. CERTAINS PAYS N'AUTORISENT PAS L'EXCLUSION OU LA LIMITATION DES DOMMAGES-INTÉRÊTS ACCESSOIRES OU CONSÉQUENTS, DE SORTE QUE LA LIMITATION OU L'EXCLUSION CI-DESSUS NE PEUT PAS S'APPLIQUER À VOUS DANS LA MESURE OÙ ELLE EST INTERDITE PAR LA LOI APPLICABLE.
- 5.3 EN AUCUN CAS LE TOTAL OU LA SOMME DES RESPONSABILITÉS DES PARTIES SEGWAY ET CONCESSIONNAIRES SEGWAY POUR TOUS LES LITIGES SOUS TOUTE LOI EN VIGUEUR OU DANS LE CADRE DE LA JURISPRUDENCE, CONJOINTEMENT OU SÉPARÉMENT, RÉSULTANT OU ÉTANT LIÉS À L'ACHAT DU PRODUIT, À UNE RUPTURE DE CONTRAT, À UN DÉLIT (Y COMPRIS LA NÉGLIGENCE) OU AUTRE, N'IRA AU-DELÀ DU DEVOIR DE RÉPARATION OU DE REMPLACEMENT DU PRODUIT DÉFECTUEUX, RESTANT À LA SEULE DISCRÉTION DE SEGWAY. EN AUCUN LES PARTIES SEGWAY ET CONCESSIONNAIRES SEGWAY NE POURRONT ÊTRE RESPONSABLES VIS-À-VIS D'UNE PERSONNE POUR DES DOMMAGES CONSÉCUTIFS, INDIRECTS, ACCIDENTELS, SPÉCIAUX, EXEMPLAIRES, PUNITIFS OU DES DOMMAGES ET INTÉRÊTS RÉSULTANT OU ÉTANT LIÉS ET/OU EN CONNEXION AVEC L'ACHAT DU PRODUIT, AVEC TOUTE RUPTURE DE CE CONTRAT OU AVEC LES DEVOIRS DU FABRICANT ; SANS PRENDRE EN COMPTE : (A) LE CARACTÈRE PRÉDICTIF DES DOMMAGES, (B) SI SEGWAY OU LES AUTRES PARTIES SEGWAY ONT ÉTÉ INFORMÉS DE LA POSSIBILITÉ DE TELS DOMMAGES ET (C) LA JURISPRUDENCE OU THÉORIE ÉQUITABLE (CONTRAT, DÉLIT OU AUTRE) SUR LAQUELLE S'APPUIE LE LITIGE, SAUF SI LES LOIS EN VIGUEUR INTERDISENT CES LIMITATIONS ET EXCLUSIONS. LES LIMITATIONS OU EXCLUSIONS MENTIONNÉES CI-DESSUS S'APPLIQUENT, MÊME SI LE RECOURS D'UN CONSOMMATEUR OU DE TOUTE AUTRE PERSONNE MÉCONTENTE (PERSONNE À LAQUELLE CET ACCORD OCTROIE DES DROITS OU UNE LÉGITIMITÉ EN VERTU DE LA LOI OU DE L'ÉQUITÉ) MENÉ DANS LE CADRE DE CET ACCORD NE REMPLIT PAS SON OBJECTIF INITIAL. SI CERTAINS PAYS N'AUTORISENT PAS L'EXCLUSION OU LA LIMITATION DE CERTAINS, VOIRE, DE TOUS CES DOMMAGES, PAR CONSÉQUENT LES INTERDISANT JURIDIQUEMENT, ALORS IL EST POSSIBLE QU'ELLES NE S'APPLIQUENT PAS À VOUS. CERTAINS PAYS/ÉTATS N'AUTORISENT PAS LES LIMITATIONS SUR LA DURÉE D'UNE GARANTIE IMPLICITE ; IL EST DONC POSSIBLE QUE LES LIMITATIONS MENTIONNÉES CI-DESSUS NE S'APPLIQUENT PAS À VOUS.

- 5.4 Jusque dans la mesure prévue par la loi en vigueur, les PARTIES SEGWAY et les CONCESSIONNAIRES SEGWAY REJETTENT toute responsabilité et ne pourront pas être tenues pour responsables de quelconque dommage, dont en cas de décès, de blessures corporelles ou de dommages matériels, résultant ou étant lié à toute conduite (y compris toute forme de mauvaise conduite), action, inaction, acte (y compris l'absence d'acte), omission ou négligence de la part de tout concessionnaire, distributeur, grossiste, revendeur, prestataire de service ou tierce partie, agréé ou non, et impliqué dans la distribution du Produit et des services qui y sont rattachés. Dans la mesure permise par la loi applicable, les représentations et garanties explicites, le cas échéant, fournies aux présentes, seront les seules garanties et représentations faites par les PARTIES SEGWAY envers VOUS, tout consommateur et/ou utilisateur final et les PARTIES SEGWAY ne seront pas responsables de toute autre garantie et/ou représentation qui peuvent être données et/ou fournies par une autre personne, à moins que les PARTIES SEGWAY n'aient explicitement autorisé, par écrit, une telle garantie et/ou représentation supplémentaire à donner au consommateur ou à l'utilisateur final.

6. Réclamations, règlement des litiges et arbitrage

LES CLAUSES CONTENUES DANS LES PRÉSENTES SONT JURIDIQUEMENT CONTRAIGNANTES ENTRE VOUS (SOIT UN PARTICULIER OU UNE ENTITÉ) ET SEGWAY DISCOVERY B.V, SES FILIALES, LES PARTIES SEGWAY ET LES CONCESSIONNAIRES SEGWAY. LES CLAUSES CONTENUES DANS LES PRÉSENTES PEUVENT AVOIR UNE INCIDENCE SUR VOS DROITS, ET IL EST DE VOTRE RESPONSABILITÉ DE LIRE LES CLAUSES SUIVANTES. VOUS POUVEZ VOUS RETIRER DE L'ACCORD DANS LES 30 JOURS CIVILS SUIVANT LE PREMIER ACHAT DU CONSOMMATEUR EN ENVOYANT UN COURRIEL À OPTOUT@SEGWAY.COM ET EN FOURNISSANT LES INFORMATIONS APPLICABLES. POUR PLUS DE DÉTAILS, VEUILLEZ CONSULTER LA CLAUSE 6.2.

6.1 Arbitrage obligatoire.

Les Parties Segway, les Concessionnaires Segway et vous acceptez que tout litige, controverse ou réclamation découlant de, se rapportant à ou en relation avec le présent accord, la garantie limitée, la vente, l'état ou la performance du produit, qu'il s'agisse d'un contrat, d'une responsabilité délictuelle, d'une fraude, d'une fausse déclaration ou de toute autre théorie juridique ou en équité, y compris, mais sans s'y limiter, toute réclamation en cas de décès, de blessure ou de dommages matériels, sera régie et interprétée conformément à la législation néerlandaise, à l'exclusion de ses dispositions relatives aux conflits de lois, et définitivement réglée par la Chambre de commerce internationale (CCI) en vertu du Règlement d'arbitrage 2021 de la CCI (Règlement de la CCI) pour le moment en vigueur, lequel est réputé incorporé par renvoi à la présente clause. De plus, les parties conviennent que :

- i. Le siège de l'arbitrage est Amsterdam, Pays-Bas.
- ii. Le Tribunal est composé de trois arbitres.
- iii. La langue de l'arbitrage est l'anglais.

La clause numéro 6 « Réclamations, règlement de litiges et Arbitrage contraignant » restera applicable même après avoir mis fin à cet accord/cette garantie limitée ou à son expiration, ou dans le cas où cet accord et/ou cette garantie limitée sont jugés nuls, non annulables, invalides ou inapplicables, dans leur intégralité ou partiellement, par une institution de jugement compétente possédant une autorité et une compétence avérée sur ce sujet.

6.2 Retrait

VOUS POUVEZ VOUS RETIRER DE CETTE PROCÉDURE DE RÈGLEMENT DE LITIGE EN INFORMANT LES PARTIES SEGWAY OU SEGWAY, AU PLUS TARD TRENTE (30) JOURS CALENDAIRES APRÈS LE PREMIER ACHAT DU PRODUIT PAR LE CONSOMMATEUR ACHETEUR. POUR APPLIQUER CE DROIT DE RETRAIT, VOUS DEVEZ LE SIGNIFIER PAR E-MAIL, À L'ADRESSE OPTOUT@SEGWAY.COM, AVEC POUR OBJET : « ARBITRATION OPT-OUT ». VOUS DEVREZ INCLURE LES ÉLÉMENTS SUIVANTS DANS VOTRE LETTRE DE RETRAIT : (A) VOTRE NOM, VOTRE ADRESSE E-MAIL, VOTRE ADRESSE POSTALE ET VOTRE NUMÉRO DE TÉLÉPHONE ; (B) LA DATE D'ACHAT DU PRODUIT ; (C) LE NOM OU LE NUMÉRO DU MODÈLE DU PRODUIT ; ET (D) SON NUMÉRO DE SÉRIE. VOUS POUVEZ ÉGALEMENT APPLIQUER CE DROIT EN ENVOYANT UN COURRIER À SEGWAY À L'ADRESSE Dynamostraat 7, 1014BN, Amsterdam, Pays-Bas. COURRIER RECOMMANDÉ DANS LES TRENTE (30) JOURS CIVILS SUIVANT LA DATE D'ACHAT DU PRODUIT PAR LE PREMIER UTILISATEUR FINAL AUPRÈS DU REVENDEUR SEGWAY. VOUS DEVREZ INCLURE LES ÉLÉMENTS SUIVANTS DANS VOTRE LETTRE DE RETRAIT : (A) VOTRE NOM, VOTRE ADRESSE E-MAIL, VOTRE ADRESSE POSTALE ET VOTRE NUMÉRO DE TÉLÉPHONE ; (B) LA DATE D'ACHAT DU PRODUIT ; (C) LE NOM OU LE NUMÉRO DU MODÈLE DU PRODUIT ; (D) SON NUMÉRO DE SÉRIE ; ET (E) UNE DÉCLARATION COMME SUI : LE CONSOMMATEUR SUSMENTIONNÉ DÉCIDE DE SE RETIRER DE LA PROCÉDURE DE RÈGLEMENT DE LITIGE COMME PRÉVUE DANS LA GARANTIE LIMITÉE. IL S'AGIT DES DEUX SEULES FAÇONS DE SE RETIRER DE LA PROCÉDURE DE RÈGLEMENT DE LITIGE. DÉCIDER DE SE RETIRER DE LA PROCÉDURE DE RÈGLEMENT DE LITIGE N'AFPECTERA EN RIEN LA COUVERTURE OFFERTE PAR LA GARANTIE LIMITÉE, ET VOUS CONTINUEREZ DE JOUIR DES AVANTAGES DE CELLE-CI.

6.3 Langue

Cet Accord peut être traduit en différentes langues. En cas de conflit, la version anglaise prévaut et contrôle.

5 TRADUCTION DE LA DÉCLARATION DE CONFORMITÉ ORIGINALE

Fabricant

Nom : Willand (Beijing) Technology Co., LTD.

Adresse : Room 203, A1 Bldg. Zhongguancun Dongsheng Technology Park (Northern Territory), No. 66, Xixiaokou Rd, Haidian Dist., Beijing, Chine.

Représentant autorisé

Nom : Segway Discovery B.V.

Adresse : Dynamostraat 7, 1014BN Amsterdam, Pays-Bas

Objet de la déclaration

Désignation générique : Robot tondeuse

Nom du produit : Navimow

Type/modèle : H500E/H800E/H1500E/H3000E

Numéro de série : S2RA x yyyy x yyyy/S2RC x yyyy x yyyy/S2RE x yyyy x yyyy/S2RT x yyyy x yyyy

(« x » indique toute lettre de A à Z sauf O et I, « y » indique toute lettre de A à Z sauf O et I ou tout nombre de 0 à 9)

Cette Déclaration de conformité est émise sous la seule responsabilité du fabricant.

L'objet de la déclaration décrite ci-dessus est conforme aux directives européennes suivantes :

- Directive sur les équipements radio (2014/53/UE)
- Directive Machines (2006/42/CE)
- Directive RoHS (2011/65/UE) et directive modificative ((UE)2015/863)

La conformité à ces directives a été évaluée pour ce produit en démontrant la conformité aux normes harmonisées et/ou spécifications techniques suivantes :

EN 60335-1:2012+A11:2014+AC:2014+A13:2017+A1:2019+A14:2019+A2:2019

EN 50636-2-107:2015+A1:2018+A2:2020

EN IEC 61000-3-2:2019+A1:2021

EN 61000-3-3:2013+A1:2019

EN IEC 55014-1:2021

EN IEC 55014-2:2021

ETSI EN 300 220-1 V3.1.1

ETSI EN 300 220-2 V3.1.1

ETSI EN 300 328 V2.2.2

ETSI EN 303 413 V1.1.1

EN 50665:2017

EN 62133-2:2017

ETSI EN 301 908-1 V13.1.1

ETSI EN 301 908-13 V13.1.1

ETSI EN 301 489-1 V2.2.3

ETSI EN 301 489 - 3 V2.2.0

ETSI EN 301 489-17 V3.2.4

ETSI EN 301 489-19 V2.1.1

ETSI EN 301 489-52 V1.2.1

ETSI EN 301 511 V12.5.1

EN IEC 62311:2020

EN IEC 63000:2018

Signé pour et au nom de : Willand (Beijing) Technology Co., LTD.

Lieu : Changzhou, Chine

Nom : Crystal Zhuang

Signature : *Crystal Zhuang*

Date : 20-02-2022

Fonction : Responsable de la certification

6 Certifications

European Union Compliance Statement

Informations sur l'élimination pour les déchets d'équipements électriques et électroniques



Ce symbole sur le produit ou sur son emballage indique que les produits électriques et électroniques usagés ne doivent pas être mélangés avec les déchets ménagers non triés. Pour un traitement approprié, il est de votre responsabilité d'éliminer vos déchets d'équipements en prenant des dispositions pour les rapporter aux points de collecte désignés.

L'élimination correcte de ce produit contribuera à économiser des ressources précieuses et à prévenir tout effet négatif potentiel sur la santé humaine et l'environnement, qui pourrait autrement résulter d'un traitement inapproprié des déchets.

Pour retourner votre appareil usagé, veuillez utiliser les systèmes de retour et de collecte ou contactez le revendeur où le produit a été acheté, ce qui est gratuit. Veuillez contacter votre autorité locale pour plus de détails sur votre point de collecte désigné le plus proche. Des sanctions peuvent être applicables en cas d'élimination incorrecte de ces déchets, conformément à votre législation nationale.

Informations sur l'élimination pour les utilisateurs de piles usagées



Ce symbole signifie que les piles et accumulateurs, en fin de vie, ne doivent pas être mélangés avec les déchets ménagers non triés. Votre participation est une partie importante de l'effort visant à minimiser l'impact des piles et accumulateurs sur l'environnement et sur la santé humaine. Pour un recyclage approprié, vous pouvez retourner ce produit ou les piles ou accumulateurs qu'il contient à votre fournisseur ou à un point de collecte désigné, ce qui est gratuit.

L'élimination correcte de ce produit contribuera à économiser des ressources précieuses et à prévenir tout effet négatif potentiel sur la santé humaine et l'environnement, qui pourrait autrement résulter d'un traitement inapproprié des déchets.

Des sanctions peuvent être applicables en cas d'élimination incorrecte de ces déchets, conformément à votre législation nationale.

Il existe des systèmes de collecte séparés pour les piles et accumulateurs usagés.

Veuillez éliminer correctement les piles et accumulateurs dans votre centre local de collecte/recyclage des déchets.

Directive sur la limitation de l'utilisation de certaines substances dangereuses (RoHS)

Willand (Beijing) Technology Co., LTD. déclare par la présente que l'ensemble du produit, y compris les pièces (câbles, cordons, etc.) est conforme aux exigences de la directive RoHS 2011/65/UE et de l'amendement à la directive déléguée de la Commission (UE) 2015/863 sur la restriction de l'utilisation de certaines substances dangereuses dans les équipements électriques et électroniques (« Refonte RoHS » ou « RoHS 2.0 »).

Directive sur les équipements radio

Willand (Beijing) Technology Co., LTD. déclare par la présente que le produit répertorié dans cette section est conforme aux exigences essentielles et aux autres dispositions pertinentes de la directive sur les équipements radio 2014/53/UE.

Directive sur les machines

Willand (Beijing) Technology Co., LTD. déclare par la présente que le produit répertorié dans cette section est conforme aux exigences essentielles et aux autres dispositions pertinentes de la directive sur les machines 2006/42/CE.

Représentant autorisé en Europe :



Segway Discovery B.V. Dynamostraat 7, 1014BN Amsterdam, Pays-Bas.

Willand (Beijing) Technology Co., LTD. déclare par la présente que le produit est conforme aux exigences essentielles et aux autres dispositions pertinentes de la directive RoHS 2011/65/UE et de l'amendement à la directive déléguée de la Commission (UE) 2015/863, la directive sur les équipements radio 2014/53/UE et la directive sur les machines 2006/42/CE.

Bluetooth	Bande(s) de fréquence	2,4000 - 2,4835 GHz
	Puissance radio max.	20 mW

7 Nous contacter

Fabricant : Willand (Beijing) Technology Co., LTD.

Adresse : Room 203, A1 Bldg. Zhongguancun Dongsheng Technology Park (Northern Territory), No. 66, Xixiaokou Rd, Haidian Dist., Beijing, Chine.

Contactez-nous si vous rencontrez des problèmes liés à l'utilisation, à l'entretien et à la sécurité, ou des erreurs/défauts avec votre tondeuse.

Représentant autorisé en Europe : Segway Discovery BV, Dynamostraat 7, 1014BN Amsterdam, Pays-Bas.

Représentant autorisé : Segway Discovery BV, Hogehilweg 8 - 6e étage, 1101CC Amsterdam, Pays-Bas.

Site Web : navimow.segway.com

EN	Important Information	2
DE	Wichtige Informationen	20
FR	Informations importantes	36
IT	Informazioni importanti	52
NL	Belangrijke informatie	68
SV	Viktig information	84
FI	Tärkeitä tietoja	100
NO	Viktig informasjon	116
DA	Vigtig information	132

Sommario

1	Avvertenze di sicurezza	53
2	Parti e funzioni	56
3	Manutenzione	58
4	Garanzia limitata	61
5	TRADUZIONE DELLA DICHIARAZIONE DI CONFORMITÀ ORIGINALE	65
6	Certificazioni	66
7	Contattaci	66
	Traduzione delle istruzioni originali	

1 Avvertenze di sicurezza

IMPORTANTE

LEGGERE ATTENTAMENTE PRIMA DELL'USO CONSERVARE PER FUTURI RIFERIMENTI

- 1) Assicurarsi di installare e utilizzare Navimow (indicato come tosaerba nel manuale) e la stazione di ricarica secondo le istruzioni. Accedere alla pagina navimow.segway.com per il manuale utente completo e i materiali più recenti per l'utente.
- 2) Il prodotto può essere utilizzato sia dai consumatori che per scopi professionali. L'uso del tosaerba per scopi diversi dal taglio può causare gravi lesioni. Per evitare rischi di lesioni, leggere e comprendere tutte le avvertenze e le precauzioni. Si prega di comprendere che è possibile ridurre i rischi seguendo le istruzioni e le avvertenze in questo manuale, ma non è possibile eliminare tutti i rischi. L'operatore o l'utente è responsabile per incidenti o pericoli che si verificano ad altre persone sulla loro proprietà.
- 3) Navimow ha molti sensori di sicurezza integrati, tuttavia esistono ancora rischi correlati alla sicurezza. Impostare un orario di tosatura quando non vi sono persone o animali domestici sul prato. Informare i vicini sui rischi di incidenti o pericoli. Se si utilizza il tosaerba su un prato pubblico, o se il prato è aperto e confina con il vicino di casa o con la strada, proteggere o recintare il prato, oppure affiggere un cartello di avviso intorno all'area di lavoro con la seguente iscrizione: **ATTENZIONE! Tosaerba automatico! Restare lontano dalla macchina! Sorvegliare i bambini!**
- 4) NON modificare autonomamente il tosaerba. Le modifiche potrebbero interferire con le operazioni del tosaerba, provocare lesioni gravi e/o danni o invalidare la garanzia limitata. Utilizzare solo parti e accessori approvati da Segway.
- 5) Il produttore consiglia l'uso a utenti con età compresa tra 18 e 70 anni. Assicurarsi di avere le competenze necessarie prima di utilizzare la macchina.

⚠ ATTENZIONE

Non consentire mai l'utilizzo della macchina a bambini, persone con capacità fisiche, sensoriali o mentali ridotte o prive di esperienza e conoscenza o persone che non hanno familiarizzato con queste istruzioni. Le normative locali possono limitare l'età dell'operatore.

Prima della tosatura:

- Controlla regolarmente che tutte le parti del tagliaerba funzioni regolarmente.
- Per i migliori risultati di tosatura, si consiglia di tosare con un clima secco. La tosatura sotto la pioggia può far aderire l'erba al prodotto e il tosaerba potrebbe scivolare. NON tosare in casi di maltempo, come forti piogge, temporali o neve.
- Ispezionare periodicamente l'area in cui deve essere utilizzata la macchina e rimuovere tutti i sassi, i bastoncini, i fili, le ossa o altri oggetti estranei. La Garanzia Limitata non copre i danni causati da oggetti lasciati sul prato.
- Per evitare possibili danni, tenere il tosaerba in funzione ad almeno 1 m (3 piedi) di distanza dalle testine degli irrigatori. Il tosaerba e l'irrigatore NON devono operare simultaneamente. Cronometrare il tosaerba in modo che funzioni in un momento diverso dall'irrigatore.
- NON consentire MAI ai bambini di toccare l'alimentatore, la stazione di ricarica, le lame, il vano batterie o parti con spazi vuoti come le ruote.

⚠ ATTENZIONE

Non azionare mai la macchina e/o le sue periferiche con protezioni, schermi difettosi, senza dispositivi di sicurezza, o se il cavo è danneggiato o usurato.

Durante la tosatura:

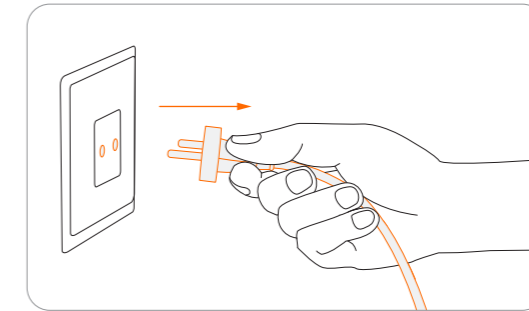
- Tenersi distanti dalle lame rotanti. NON mettere mani o piedi sotto o in vicinanza delle lame rotanti.
- Attenzione al lancio di oggetti. Mantenere una distanza di sicurezza dal tosaerba durante il funzionamento.
- NON lasciare la macchina in funzione incustodita sapendo che vi sono animali domestici, bambini o persone nelle vicinanze.
- NON sporgersi eccessivamente. Mantenere l'equilibrio in ogni momento e assicurarsi sempre della stabilità sui pendii. Camminare, evitando di correre, durante il funzionamento della macchina o delle sue periferiche.

⚠ ATTENZIONE

- NON permettere ai bambini di avvicinarsi o di giocare con la macchina quando è in funzione.
- NON sollevare il tosaerba mentre è in funzione. NON salire sul tosaerba.
- NON tosare su aree con pendenze superiori a quella massima all'interno dell'area di lavoro (45%) e del confine (10%).
- Se il tosaerba emette un suono anomalo o segnala un allarme, premere immediatamente il pulsante STOP.
- In caso di vibrazioni anomale, spegnere il tosaerba, posizionarlo a livello del suolo per circa 30 secondi e poi riavviare. Se il problema persiste, contattare il servizio post-vendita autorizzato.
- NON toccare le parti pericolose in movimento prima che si siano fermate completamente.

Utilizzo sicuro:

- Non azionare il tosaerba al di fuori dei limiti di temperatura: -10-50 °C (14-122 °F), poiché le temperature basse/elevate possono ridurre il suo rendimento e persino causare incidenti.
- NON posizionare nulla sul tosaerba o sulla stazione di ricarica.
- Si consiglia di eseguire una regolare manutenzione del tosaerba (si veda *Manutenzione*).
- Controllare regolarmente i dispositivi di allarme per accertarsi della loro efficacia. Questi dispositivi includono il cicalino, la luce LED sulla stazione di ricarica e la luce ambientale sul tosaerba.
- Prima di caricare, leggi *Come caricare* nel Manuale Utente. L'uso improprio potrebbe causare scosse elettriche, surriscaldamento o perdite di liquido corrosivo.
- Se il cavo dell'alimentatore o il cavo di prolunga si danneggia o si aggroviglia durante l'uso, scollegare l'alimentatore dalla presa di corrente e poi districare. Per evitare pericoli, tirare il corpo dello spinotto piuttosto che il cavo quando si separa l'alimentatore dalla presa di corrente. Contattare il servizio post-vendita e chiedere a un tecnico professionista di riparare o sostituire il cavo.



Simboli e decalcomanie

Approfondire con attenzione i simboli sul prodotto e sulle etichette e comprenderne il significato:



AVVERTENZA-Leggere il manuale di istruzioni prima di utilizzare la macchina.



AVVERTENZA-Non toccare la lama rotante.



ATTENZIONE-Mantenere una distanza di sicurezza dalla macchina durante il funzionamento.



ATTENZIONE-Non salire sulla macchina.



AVVERTENZA-Azionare il dispositivo di inibizione prima di lavorare o sollevare la macchina*.
*Assicurarsi che il tosaerba sia bloccato dal codice PIN prima di sollevarlo o utilizzarlo.



AVVERTENZA-Non è consentito lo smaltimento di questo prodotto come normale rifiuto domestico. Assicurarsi che il prodotto venga riciclato in conformità con i requisiti legali del proprio paese.



Questo prodotto è conforme alle Direttive CE applicabili.



Questo prodotto è conforme alle normative sulla restrizione delle sostanze pericolose.



Prima di caricare, leggere le istruzioni.



Questo prodotto è conforme alla legislazione applicabile del Regno Unito.



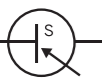
Polarità della porta di ricarica



Apparecchio di classe II



SMPS che incorpora un trasformatore di isolamento per la sicurezza a prova di cortocircuito (intrinseco o non intrinseco)



SMPS (alimentatore a commutazione)



Efficienza DoE livello VI



L'altitudine massima di utilizzo è 5000 m



IP55/IP66

ta: 40°C

La temperatura massima di utilizzo è di 40°C



Corrente continua



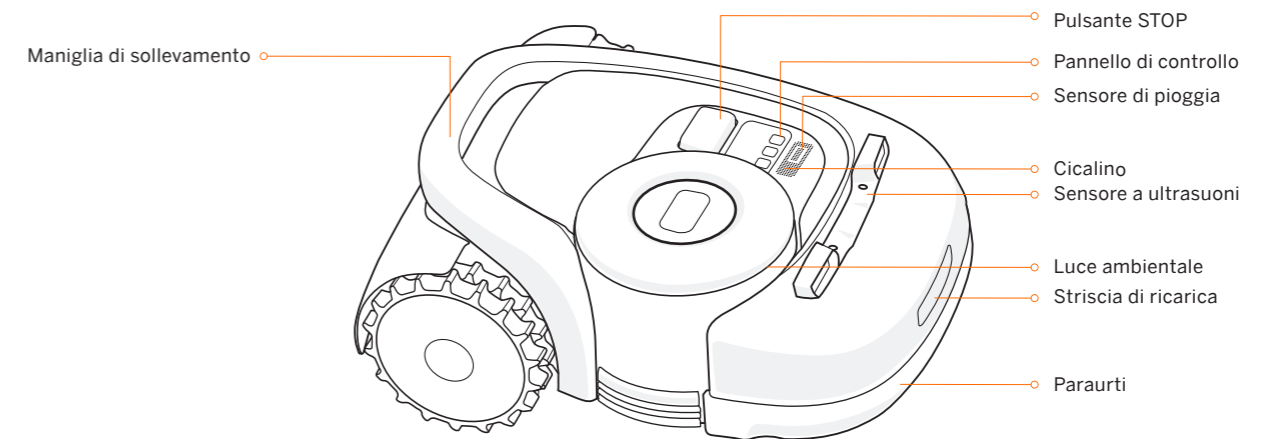
Corrente alternata



Dispositivo di classe III

2 Parti e funzioni

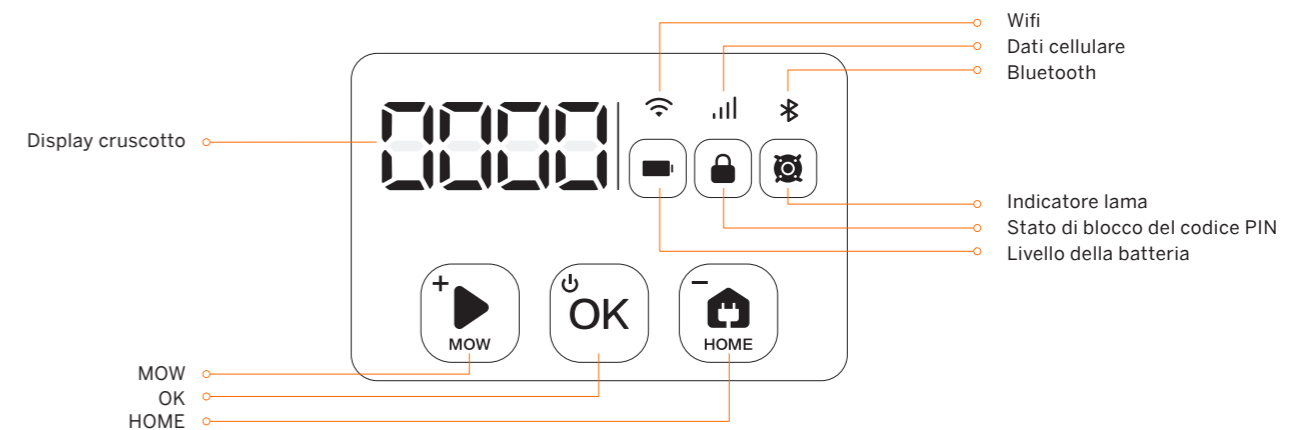
Vista dall'alto



Luce ambientale: Quando si verifica un'anomalia, l'anello LED lampeggia in rosso insieme a un cicalino che suona.

Sensore a ultrasuoni: Alcuni modelli sono dotati di un sensore a ultrasuoni. Il sensore è venduto anche separatamente e può essere installato su tutti i modelli Navimow. Consultare il proprio rivenditore per i dettagli.

Pannello di controllo



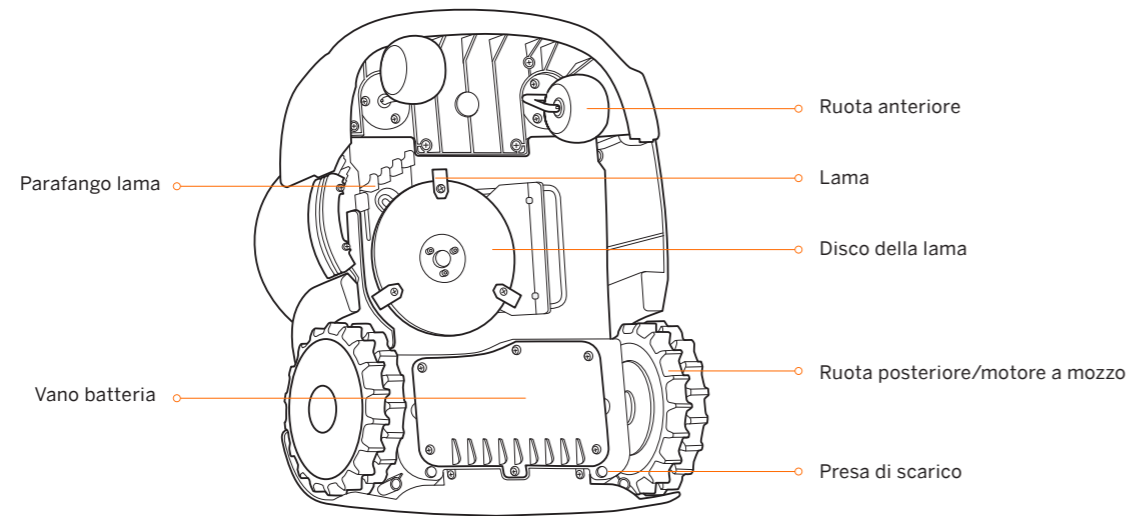
Livello della batteria: Il colore indica il livello della batteria: 50%–100% verde fisso, 20%–49% giallo fisso, 5%–19% rosso fisso, ≤ 5% rosso lampeggiante. Se l'icona della batteria è rossa, il tosaerba deve essere ricaricato.

Display cruscotto: Mostra la percentuale di falciatura, il codice PIN, il codice di errore, ecc.

Codice PIN: Prima di azionare manualmente il tosaerba, è necessario inserire il codice PIN. Il codice predefinito è 0000 e può essere modificato tramite l'app Navimow (indicata come app nel presente manuale). Premere MOW/HOME per aumentare/diminuire il numero e premere OK per confermare il codice.

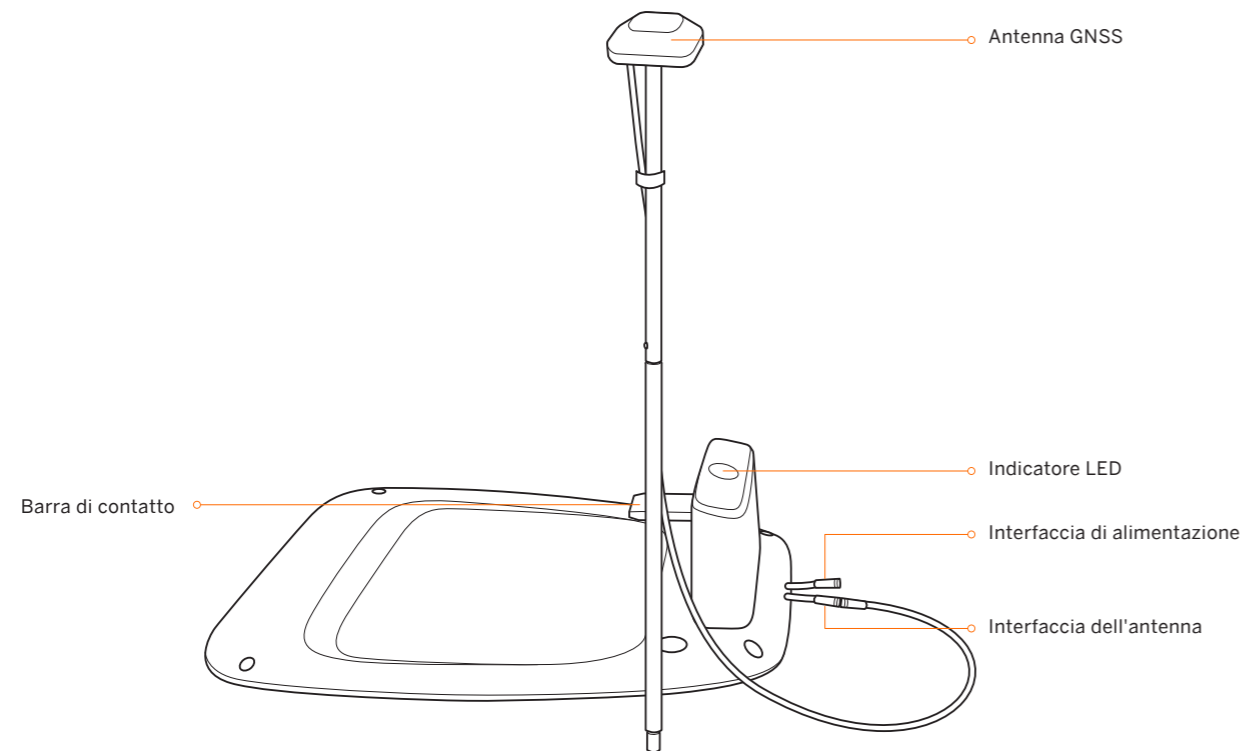
Operazioni di base

- Accensione: Premere OK.
- Spegnimento: tenere premuto OK per 4 secondi o spegnere tramite l'app. Se il tosaerba è nella base di ricarica, è possibile spegnerlo.
- Iniziare a tosare: premere MOW e poi OK.
- Interrompere il funzionamento del tosaerba: premere STOP.
- Il tosaerba ritorna alla stazione di ricarica: Premere HOME e poi OK.



Preso di scarico: Se il tosaerba cade in acqua, estrarlo immediatamente e mettere il tosaerba con il lato destro verso l'alto per scaricare l'acqua. Non immergere mai il tosaerba in acqua o in caso contrario i componenti potrebbero danneggiarsi e la Garanzia Limitata verrebbe annullata.

Stazione di ricarica e antenna GNSS



NOTA: Se l'antenna GNSS è bloccata, con conseguente segnale scadente e posizionamento impreciso, acquistare il kit di estensione dell'antenna e installarlo nel modo indicato.

3 Manutenzione

Per ottenere risultati di tosatura migliori e migliorare la durata utile, assicurarsi di mantenere il tosaerba pulito e le lame in buone condizioni. L'ispezione e la manutenzione devono essere eseguite da una persona adulta ogni settimana. Eventuali parti danneggiate o usurate devono essere sostituite. **NON eseguire la manutenzione quando si indossano sandali aperti o si è a piedi nudi. Indossare sempre pantaloni lunghi e calzature da lavoro durante la manutenzione del tosaerba.**

1) Pulizia

Utilizzare una spazzola morbida o un panno per pulire. NON pulire con alcol, benzina, acetone o altri solventi corrosivi/volatili. Queste sostanze possono danneggiare l'aspetto esterno e la struttura interna del tosaerba. Per un corretto aggancio, ispezionare e pulire periodicamente la stazione di ricarica da detriti e fango. Assicurarsi che tutte le parti di collegamento della stazione di ricarica, del cavo di prolunga e dell'alimentatore non siano bloccate.

A. Telaio e disco della lama

Se il telaio e il disco della lama sono sporchi, utilizzare una spazzola o un tubo idrico per pulire. NON utilizzare un'idropulitrice. Allo stesso tempo, assicurarsi che il disco della lama ruoti liberamente e che le lame possano ruotare liberamente. **ATTENZIONE:** L'acqua ad alta pressione può penetrare nelle guarnizioni e danneggiare le parti elettroniche e meccaniche.

B. Ruote

L'erba sulle ruote può influire sulle prestazioni del tosaerba durante la salita sui pendii. Rimuovere il fango o altri oggetti incastrati tra un punto e l'altro per garantire una presa salda.

C. Sensore di pioggia

Eseguire un controllo una volta alla settimana e assicurarsi che il sensore di pioggia non sia coperto da fango, erba o altri oggetti. È possibile sia lavarolo che pulirlo con una spazzola morbida. Direttiva sulle apparecchiature radio

⚠ ATTENZIONE

- Prima della pulizia, assicurarsi che il tosaerba sia spento.
- Una volta capovolto il tosaerba, deve essere spento.

2) Sostituire le lame

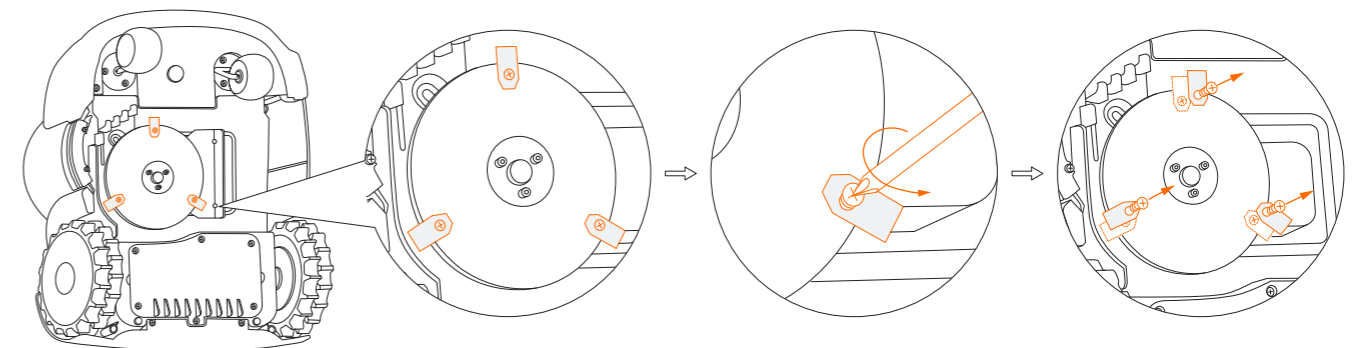
Se il tosaerba viene utilizzato regolarmente, si consiglia di sostituire le lame e le viti ogni 1-2 mesi per garantire sicurezza e migliori risultati di tosatura. Sostituire simultaneamente tutte e tre le lame e le rispettive viti per un sistema di taglio sicuro.

⚠ ATTENZIONE

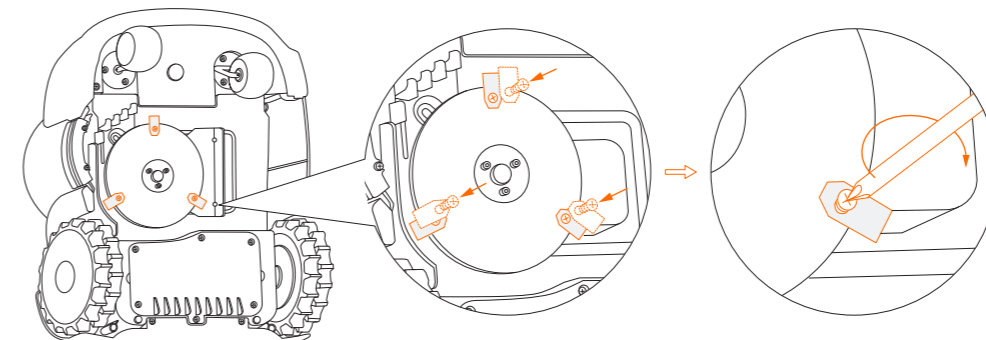
- Indossare guanti pesanti quando si ispeziona o si effettua la manutenzione della lama.
- Utilizzare solo il giusto tipo di viti e lame originali approvate da Segway. Modello lama: HA002E.
- NON riutilizzare le viti. Ciò può causare lesioni gravi.

Sostituzione delle lame:

- 1 Spegnimento del tosaerba.
- 2 Per evitare graffi, posizionare il tosaerba capovolto su una superficie morbida e pulita.
- 3 Utilizzare un cacciavite a croce per allentare le tre viti.
- 4 Rimuovere le viti e le lame.



- 5 Fissare le nuove lame e viti (Coppia: 1 N m). Assicurarsi che le lame possano ruotare liberamente.

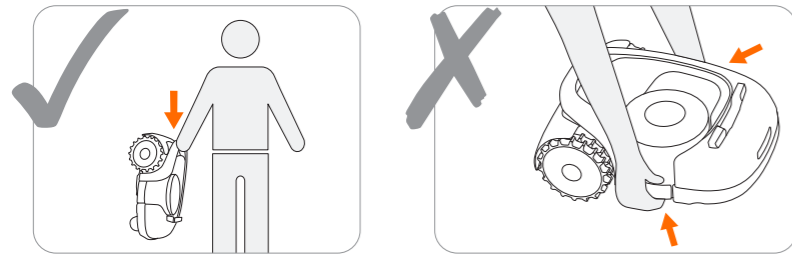


3) Trasporto

Per proteggere il tosaerba, utilizzare l'imballaggio originale per il trasporto a lunga distanza. Prima di sollevare, spostare o trasportare in altro modo il prodotto, spegnerlo. Maneggiare con cura ed evitare azioni violente, come il lancio e la pressione fortissima. Non sollevare o trasportare mai il tosaerba mentre il motore è in funzione.

Movimento e sollevamento corretto:

Trasportate il tosaerba per l'impugnatura, con il disco a lame rivolto lontano dal corpo.



ATTENZIONE:

Per evitare danni al tosaerba e/o alla stazione di ricarica, NON sollevare il prodotto quando è parcheggiato nella stazione di ricarica.

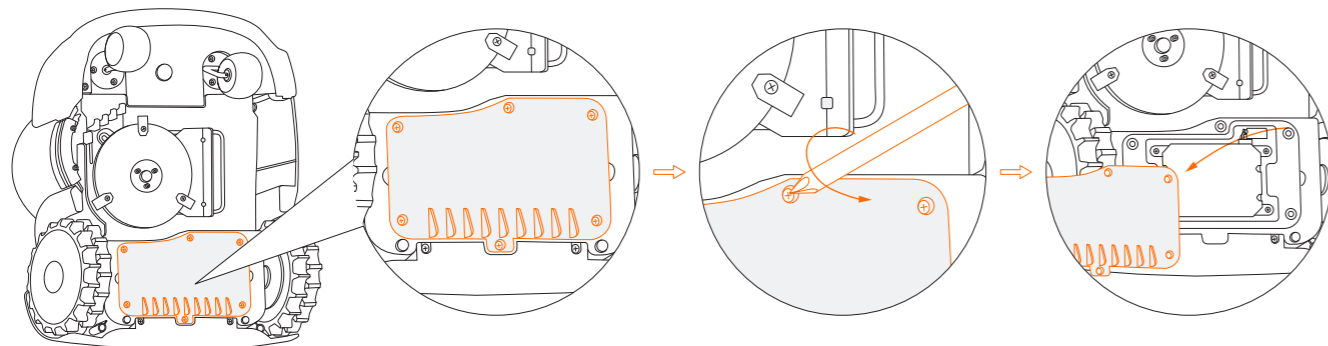
4) Batteria

Caricare completamente la batteria prima di riporla in modo da evitare scariche eccessive e danni ai componenti elettrici. Caricare il tosaerba ogni 120 giorni per una conservazione a lungo termine. I danni alla batteria causati da una scarica eccessiva non saranno coperti dalla garanzia limitata. NON utilizzare o conservare la batteria in condizioni di temperatura estreme, ovvero al di sopra di 50 °C (122 °F) o al di sotto di -20 °C (-4 °F).

NOTA: La durata della batteria dipende dalla frequenza di utilizzo del prodotto e dalle ore di esercizio complessive. Se il tempo di funzionamento è più breve del solito per una carica completa o il prato non è ben tagliato, valutare se è necessario sostituire la batteria.

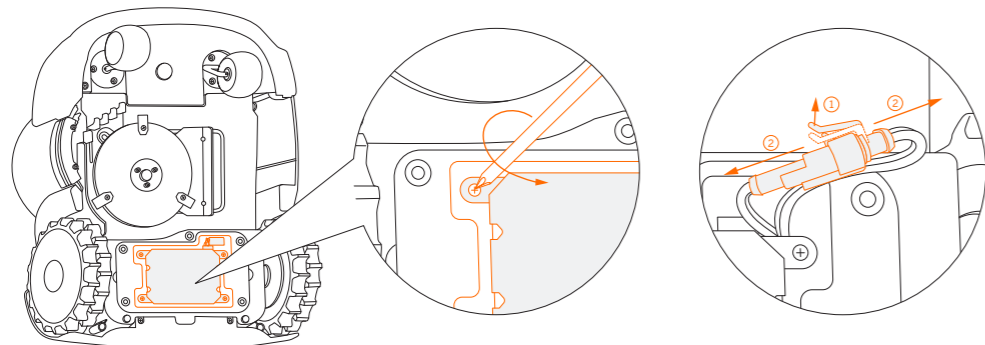
Sostituzione della batteria:

- 1 Spegnimento del tosaerba.
- 2 Posizionare il tosaerba su una superficie morbida e pulita in posizione capovolta.
- 3 Utilizzare un cacciavite a croce per allentare le 6 viti sul vano batterie.



4 Allentare le 4 viti nel vano batteria.

5 Scollegare le due spine.



- 6 Estrarre il pacco batteria e sostituirlo con uno nuovo.
- 7 Collegare le spine e serrare tutte le viti.

ATTENZIONE

- Utilizzare solo il pacco batteria originale o quello dello stesso modello come specificato da Segway. Ogni tosaerba contiene un pacco batteria.
- A seconda del modello di tosaerba specifico, la capacità nominale della batteria è 5200 mAh, 7800 mAh o 10400 mAh.
- Non utilizzare batterie non ricaricabili. Per la ricarica della batteria, utilizzare solo l'alimentatore staccabile fornito con questo apparecchio. Per l'Unione Europea: utilizzare solo con l'unità di alimentazione UE - NBW32D002D5N. Per il Regno Unito: utilizzare solo con l'unità di alimentazione UK - NBW32D002D5N.
- NON smontare né forare l'involucro della batteria. Tenere lontano da oggetti metallici per evitare cortocircuiti. Tenere lontano da fuoco, calore e luce solare diretta.
- Per informazioni sulla batteria e sui rifiuti elettrici, contattare il servizio di smaltimento dei rifiuti domestici, l'ufficio locale o regionale per la gestione dei rifiuti o il punto vendita.
- Il pacco batteria contiene elettroliti. Se l'elettrolito che fuoriesce entra a contatto con la cute, lavare via immediatamente con acqua e sapone. In caso di contatto con gli occhi, consultare un medico e sciacquare immediatamente gli occhi con acqua abbondante per almeno 15 minuti senza strofinare.

5) Alimentazione

- Scollegare l'alimentazione:
 - Prima di eliminare un blocco;
 - Prima di controllare, pulire o utilizzare la macchina;
 - Dopo aver colpito un oggetto estraneo, ispezionare la macchina per rilevare danni.
- Esaminare regolarmente il cavo, la spina, la custodia e altri componenti. Se si riscontrano danni o segni di usura, interromperne immediatamente l'uso.

ATTENZIONE

- NON utilizzare un alimentatore danneggiato. Se il cavo di alimentazione è danneggiato, deve essere sostituito dal produttore, dal suo agente di assistenza o da persone con simile qualifica per evitare pericoli. Se il cavo di prolunga è difettoso, sostituirlo con il cavo lungo 10 metri approvato da Segway.
- NON collegare un cavo danneggiato all'alimentatore né toccare un cavo o una prolunga danneggiati prima che siano scollegati dalla presa di corrente. I cavi danneggiati possono portare a contatto con parti in tensione.
- NON utilizzare l'alimentatore con nessun altro prodotto o batteria, o in caso contrario si verificheranno rischi di lesioni personali, incendi o scosse elettriche. La sicurezza del prodotto non può essere garantita con batterie diverse da quelle originali.
- NON ricaricare in caso di fuoriuscite di liquido dalla batteria.
- Tenere lontano il cavo di prolunga da parti pericolose in movimento per evitare danni ai cavi che possono portare a contatto con parti sotto tensione.

Raccomandazione

Collegare il tosaerba e/o le sue periferiche solo a un circuito di alimentazione protetto da un dispositivo differenziale (RCD) con una corrente di sgancio non superiore a 30 mA.

6) Stoccaggio

- Prima di riporlo, spegnere il tosaerba e caricarlo completamente per evitare uno scaricamento eccessivo, che potrebbe causare danni permanenti.
- Conservarlo in un luogo fresco e asciutto al chiuso. L'esposizione alla luce del sole e alle temperature estreme (sia calde sia fredde) accelererà il processo di usura dei componenti e potrebbe ridurre la durata della batteria.
- Tenere il tosaerba, la stazione di ricarica e l'alimentatore lontano da fonti di calore (come stufe, termosifoni, ecc.) o prodotti chimici. Proteggere l'alimentatore dall'umidità e conservarlo in un luogo ben ventilato.

ATTENZIONE

Quando c'è il rischio di un temporale, scollegare l'alimentatore dalla presa di corrente. Scollegare tutti i cavi e i fili che si collegano alla stazione di ricarica. Ricollegarsi quando non c'è più il rischio di tuoni.

Stoccaggio invernale

- Tosaerba
Pulite accuratamente il tosaerba prima di riporlo. Controllare i componenti soggetti a usura come le lame. Ripararli o sostituirli se sono in cattive condizioni. Conservare il tosaerba in un luogo asciutto e al riparo dal gelo, in piedi su tutte le ruote, preferibilmente nella confezione originale.
- Stazione di ricarica
Scollegare l'alimentatore dalla presa di corrente e disconnettersi dalla stazione di ricarica. Portare la stazione di ricarica all'interno e tenerla lontana dalla luce solare diretta.

7) Riciclaggio e smaltimento a fine vita

Questo prodotto non va considerato come rifiuto domestico. Per informazioni sul riciclaggio, contattare il servizio rifiuti domestici, il comune o il punto vendita.

⚠ ATTENZIONE

Non smaltire questo prodotto in una discarica, mediante incenerimento o mescolandolo con i rifiuti domestici. A causa dei componenti elettrici possono verificarsi gravi pericoli/lesioni.

8) Altro

- Mantenere tutte le viti, i dadi e i bulloni serrati per garantire un funzionamento normale e sicuro.
- Gli pneumatici forniti con il prodotto devono essere montati sulla ruota da un riparatore professionista La rimozione delle ruote/della batteria rappresenta un intervento complicato e il montaggio errato può determinare instabilità e malfunzionamenti.
- Per garantire una buona aderenza del battistrada, mantenere pulite le ruote motrici (ruote posteriori) rimuovendo il fango con una spazzola.
- Il vano telaio dietro il paraurti deve essere aperto e richiuso **ESCLUSIVAMENTE** da tecnici di assistenza autorizzati. L'assistenza autonoma può invalidare la Garanzia limitata.

AVVISO: ASSICURAZIONE

LE COMPAGNIE ASSICURATIVE POTREBBERO NON FORNIRE COPERTURA PER GLI INFORTUNI CHE COMPORTANO L'USO DI QUESTO PRODOTTO. PER DETERMINARE SE LA COPERTURA È FORNITA, SI PREGA DI CONTATTARE LA PROPRIA COMPAGNIA ASSICURATIVA O UN AGENTE DI RIFERIMENTO.

4 Garanzia limitata

Garanzia limitata e accordo arbitrale (EMEA)

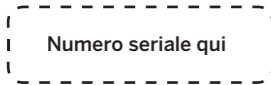
AVVISO: LEGGERE IL PRESENTE ACCORDO DI GARANZIA LIMITATA E ARBITRATO E CONSERVARLO PER EVENTUALI RIFERIMENTI FUTURI. IL PRESENTE ACCORDO CONTIENE CLAUSOLE DI GARANZIA LIMITATA PER I CONSUMATORI IN EUROPA, MEDIO ORIENTE E AFRICA (“EMEA”) E CLAUSOLE DI ARBITRATO PER QUANTO RIGUARDA NAVIMOW (“IL PRODOTTO”) E QUALSIASI TRANSAZIONE O RECLAMO INTERENTE A/DERIVANTE DAL PRODOTTO.

IL PRESENTE È UN ACCORDO LEGALE VINCOLANTE (“CONTRATTO”) TRA L'UTENTE (UNA PERSONA O UN'ENTITÀ) E IL PRODUTTORE (“WILLAND”), SEGWAY DISCOVERY BV EMEA (“SEGWAY”) E LE LORO SOCIETÀ AFFILIATE (CHE INCLUDONO, IN VIA ESEMPLIFICATIVA MA NON ESAUSTIVA, SOCIETÀ MADRE, CONTROLLATA, AFFILIATA, PREDECESSORE, SOCIETÀ SUCCESSIVA, AMMINISTRATORI, SUCCESSORI, CESSIONARI, FUNZIONARI, DIRETTORI, DIRIGENTI, DIPENDENTI, SOCI, AZIONISTI E AGENTI, AVVOCATI, ASSICURATORI O RIASSICURATORI) (COLLETTIVAMENTE DENOMINATI “PARTI SEGWAY”), RIVENDITORI SEGWAY (COME DEFINITI DI SEGUITO) E LORO AFFILIATI (COLLETTIVAMENTE DENOMINATI “RIVENDITORI SEGWAY”).

L'ACQUISTO DEL PRODOTTO, L'APERTURA DELLA SUA CONFEZIONE, IL SUO UTILIZZO O CONSERVAZIONE, LO SFRUTTAMENTO DEI BENEFICI OFFERTI DAL PRESENTE ACCORDO, O L'ACCETTAZIONE ELETTRONICA DELLO STESSO COSTITUIRANNO L'APPROVAZIONE DEL PRESENTE ACCORDO. NEL CASO IN CUI L'UTENTE, IN QUALITÀ DI GENITORE O TUTORE LEGALE, ACQUISTI QUESTO PRODOTTO PER CONTO DI O PER I SUOI FIGLI, ACCONSENTE E APPROVA SOTTO TUTTI GLI ASPETTI I TERMINI E LE CONDIZIONI DELL'ACCORDO E ACCETTA CHE SIA LUI CHE I SUOI FIGLI SARANNO VINCOLATI DAL PRESENTE ACCORDO. L'UTENTE RICONOSCE E ACCETTA DI AVER RICEVUTO UNA SUFFICIENTE CONOSCENZA DEL PRESENTE ACCORDO E DI APPROVARLO.

Registrare il numero seriale del prodotto

Registrare qui di seguito il numero seriale del prodotto. È possibile trovare il numero seriale all'esterno della confezione di spedizione o nella parte inferiore del prodotto.



1. Garanzia Limitata

La presente Garanzia Limitata copre solo i difetti di qualsiasi materiale o qualità del Prodotto e dei componenti laddove questi vengano utilizzati in condizioni normali e ordinarie. Nel caso in cui si verifichi un difetto coperto dalla presente Garanzia Limitata, Segway e/o altre Parti Segway, a propria esclusiva discrezione, ripareranno o sostituiranno il Prodotto difettoso o i suoi componenti in conformità con la presente Garanzia limitata. Il Periodo di Garanzia Limitata applicabile decorre a partire dalla data di acquisto originale del Prodotto da Segway, da un rivenditore autorizzato di Segway, dal distributore autorizzato di Segway o da un Rivenditore autorizzato (denominato individualmente “Rivenditore Segway” o denominati collettivamente “Rivenditori Segway”).

	Nome del componente			Periodo di garanzia limitata
Corpo del tosaerba	<ul style="list-style-type: none">TelaioMotore di azionamentoMotore lamaMotore altezza di taglioModulo scheda di azionamentoModulo scheda CUModulo scheda di ricarica	<ul style="list-style-type: none">Modulo del sensorScheda IoTModulo GPSScheda d'ingressoScheda ledModulo a ultrasuoniAntenna 868	<ul style="list-style-type: none">Antenna GPSGruppo disco della lamaAntenna GNSS	3 anni (H500E, H800E) 4 anni (H1500E, H3000E)
Batteria	<ul style="list-style-type: none">Batteria			2 anni (H500E, H800E) 3 anni (H1500E, H3000E)
Altri componenti	<ul style="list-style-type: none">Alimentazione elettricaStrisce di ricaricaCavo di alimentazioneCicalino	<ul style="list-style-type: none">Sensore di pioggiaPannello di controllo/pulsantiPulsante StopRuota universale	<ul style="list-style-type: none">Gruppo montaggio dell'antennaTutti i cavi	1 anno
Componenti soggetti a usura	<ul style="list-style-type: none">LamaPezzo decorativoGuarnizioneStrisce di tenutaCopertura della maniglia di sollevamentoCoperchio superiore	<ul style="list-style-type: none">Assemblaggio fusti trasparentiGruppo parafango posterioreTappo in gommaGruppo stazione di ricaricaCoperchio della batteriaGruppo paracolpi	<ul style="list-style-type: none">Copertura per ultrasuoniPioli per fissare il cavo di prolunga	90 giorni

LA PRESENTE GARANZIA LIMITATA È LA SOLA AD ESSERE ESPLICITA E APPLICABILE AL PRODOTTO E AI SUOI COMPONENTI, ACCESSORI E RIPARAZIONI. SEGWAY E LE PARTI SEGWAY RESPINGONO PERTANTO TUTTE LE ALTRE GARANZIE ESPLICITE. SEGWAY E LE ALTRE PARTI SEGWAY LIMITANO LA DURATA E I PROVVEDIMENTI SU TUTTE LE GARANZIE IMPLICITE, COMPRESSE, A TITOLO ESEMPLIFICATIVO, LE GARANZIE DI COMMERCIALIZITÀ E IDONEITÀ PER UNO SCOPO PARTICOLARE, SIANO ESSE DERIVANTI DALLA LEGGE, DALLA NEGOZIAZIONE, DALL'ESECUZIONE, DALL'USO COMMERCIALE O ALTRO, ALLA DURATA DELLE PRESENTE GARANZIA LIMITATA ESPLICITA.

LA PRESENTE GARANZIA LIMITATA NON PREGIUDICA NÈ LIMITA IN ALCUN MODO I DIRITTI LEGALI CHE L'UTENTE PUÒ AVERE IN QUALITÀ DI CONSUMATORE, AD ESEMPIO IN RELAZIONE ALLA CONFORMITÀ.

2. Processo di Assistenza in Garanzia Limitata

I servizi online di Segway sono disponibili su navimow.segway.com. Durante l'utilizzo, nel caso in cui il Prodotto o il suo componente siano difettosi e/o non funzionino correttamente: **INTERROMPERNE IMMEDIATAMENTE L'USO E CONSERVARE IL PRODOTTO CORRETTAMENTE. UN USO CONTINUATIVO DEL PRODOTTO IN TALI CIRCOSTANZE POTREBBE CAUSARE GRAVI LESIONI CORPOREE O ADDIRITTURA FATALI ALL'UTENTE O AD ALTRE PERSONE E/O CAUSARE DANNI ALLA PROPRIETÀ.** Successivamente, contattare immediatamente Segway all'indirizzo support-navimow@rlm.segway.com. Il personale di supporto tecnico di Segway è disponibile per assistervi online o per telefono nella diagnosi del difetto e, se presente, fornendo ulteriori istruzioni. Nel caso in cui siano richiesti servizi di garanzia, preparare i seguenti materiali, tra cui (i) la prova dell'acquisto originale del Prodotto presso i Rivenditori Segway, (ii) il numero seriale del Prodotto e (iii) una descrizione del difetto, ove pertinente. Al momento della verifica dell'idoneità alla protezione e/o ai servizi della Garanzia Limitata, è necessario fornire il proprio nome, indirizzo e-mail, indirizzo postale e numero di telefono a noi, ti guideremo per ottenere il nostro servizio.

Se si desidera restituire l'unità difettosa in assistenza, si è responsabile dei costi di spedizione e dei rischi di perdita e danno che potrebbero verificarsi durante la spedizione dall'utente a Segway e (ii) viceversa. L'utente dovrà includere il Prodotto o componente difettoso all'interno dell'imballaggio originale o approvato da Segway, che sarà fornito a proprie spese, per la spedizione del Prodotto a Segway. L'utente è tenuto a tutelare, indennizzare e sostenere Segway da qualsiasi perdita e/o danno che possa essere causato da imballaggio o spedizione impropria del Prodotto o componente a Segway.

Un fornitore di servizi autorizzato o un Rivenditore Segway ispezionerà il Prodotto restituito. Qualora Segway stabilisca ragionevolmente che il problema non è coperto da Garanzia Limitata, Segway provvederà a notificarlo all'utente e lo informerà sulle alternative di servizio o sostituzione disponibili a pagamento. In caso contrario Segway restituirà il Prodotto all'utente senza effettuare riparazioni e, in tal caso, quest'ultimo sarà responsabile dei costi di spedizione e assicurazione del Prodotto inviato da Segway e destinato all'utente. Nel caso in cui i servizi non siano coperti dalla garanzia limitata e l'utente rifiuti un servizio a pagamento raccomandato dalle Parti Segway o dai Rivenditori Segway, l'utente riconosce e prende atto che la mancata riparazione e/o servizio del Prodotto può aumentare il rischio di caduta e/o guasto del Prodotto, il che può comportare gravi danni alla proprietà, gravi lesioni corporee o decesso, e l'utente concorda di avere offerto il proprio consenso informato ad assumersi tale rischio.

Per un reso idoneo alla copertura e/o ai servizi offerti dalla garanzia, Segway sostituirà i Prodotti difettosi con parti nuove o ricondizionate dello stesso stile o di tipo simile senza alcun costo per il servizio. Le parti sostituite da Segway saranno conservate e diventeranno di proprietà di Segway. In tale situazione, Segway pagherà i costi di spedizione ragionevoli per la restituzione del Prodotto all'utente.

3. Idoneità alla Garanzia Limitata

- 3.1 La richiesta di assistenza deve essere ricevuta da Segway entro il Periodo di Garanzia Limitata come descritto sopra e Segway deve ricevere il Prodotto in conformità con il Processo di Servizio di Garanzia Limitata definito sopra.
- 3.2 Il Prodotto deve essere acquistato presso un Rivenditore Segway autorizzato.
- 3.3 È necessario fornire la ricevuta d'acquisto originale.
- 3.4 Il Prodotto dovrà riportare un numero di serie leggibile, non oscurato, non amperato e non modificato.
- 3.5 Tutti i sigilli antimanomissione devono essere intatti, in posizione e non modificati.

4. Esclusioni di Garanzia Limitata

La presente Garanzia Limitata descrive il servizio disponibile qualora il prodotto richieda un servizio di garanzia e l'utente potrebbe disporre di ulteriori salvaguardie ai sensi delle leggi locali. La presente Garanzia Limitata non copre ed esclude i danni al prodotto o a qualsiasi componente dello stesso causati da:

- 4.1 Maltrattamento, uso improprio, imprudenza, negligenza o uso commerciale.
- 4.2 Caricamento, conservazione, manutenzione o funzionamento improprio del Prodotto non conformi alle istruzioni o limitazioni fornite nei materiali dell'utente.
- 4.3 Utilizzo del Prodotto non conforme alle leggi e ai regolamenti applicabili.
- 4.4 Uso del Prodotto da parte di persone con esperienza inadeguata.
- 4.5 Incidente, collisione, danno da fuoco, danno da acqua, danno chimico, uso del prodotto al di fuori della gamma di temperatura di lavoro del prodotto, spruzzo d'acqua ad alta pressione, terremoto, caduta.
- 4.6 Modifiche alle parti meccaniche, modifica di parti elettroniche o modifiche al software incorporato nel Prodotto.
- 4.7 Assistenza, riparazione e manutenzione da parte di fornitori non autorizzati.
- 4.8 Danni estetici.
- 4.9 Uso del Prodotto con prodotti, componenti o accessori di terze parti.
- 4.10 Il normale deterioramento delle parti di usura e consumo.
- 4.11 Uso del Prodotto con parti di usura e consumo scadute.

5. ESCLUSIONE DI RESPONSABILITÀ E LIMITAZIONE

- 5.1 LE PARTI SEGWAY NON SI ASSUMONO NÈ AUTORIZZANO ALCUNO AD ASSUMERE PER PROPRIO CONTO QUALSIASI ALTRO OBBLIGO O RESPONSABILITÀ IN RELAZIONE AL PRODOTTO, AI SUOI COMPONENTI, AGLI ACCESSORI, ALLE RIPARAZIONI O ALLA PRESENTE GARANZIA LIMITATA.
- 5.2 NÈ LE PARTI SEGWAY NÈ I RIVENDITORI SEGWAY SI ASSUMONO QUALSIASI RESPONSABILITÀ PER UN MANCATO USO DI QUALSIASI NATURA DI UN PRODOTTO, DEI SUOI COMPONENTI E DEGLI ACCESSORI O PER QUALSIASI INCONVENIENTE O ALTRA PERDITA O DANNO CAUSATA DA QUESTO PRODOTTO, DALLE SUE PARTI, DA ACCESSORI, DA RIPARAZIONE O DA EVENTUALI INCIDENTI O DANNI CONSEGUENZIALI CHE L'UTENTE POTREBBE SUBIRE A CAUSA DI QUALSIASI DIFETTO DI UN PRODOTTO, DEI SUOI COMPONENTI, DEGLI ACCESSORI O DERIVANTE DA RIPARAZIONE. ALCUNI PAESI NON CONSENTONO L'ESCLUSIONE O LA LIMITAZIONE DI DANNI INCIDENTALI O CONSEGUENZIALI, PERTANTO LA SUDETTA LIMITAZIONE O ESCLUSIONE POTREBBE NON APPLICARSI ALL'UTENTE NELLA MISURA IN CUI SIA VIETATA DALLA LEGGE APPLICABILE.
- 5.3 IN NESSUN CASO LA RESPONSABILITÀ MASSIMA TOTALE DELLE PARTI SEGWAY E DEI RIVENDITORI SEGWAY PER TUTTI I RECLAMI AI SENSI DI QUALSIVOGLIA LEGGE O TEORIA APPLICABILE, CONGIUNTAMENTE O IN PARTE, DERIVANTI DA O CORRELATI ALL'ACQUISTO O ALL'USO DEL PRODOTTO, ALLA VIOLAZIONE DEL CONTRATTO, AGLI ATTI ILLECITI (INCLUSA LA NEGLIGENZA) O ALTRO, SUPERERÀ L'OBBLIGO DI RIPARAZIONE O SOSTITUZIONE DI UN EVENTUALE PRODOTTO DIFETTOSO, SUBORDINATAMENTE A DISCREZIONE ESCLUSIVA DI SEGWAY. IN NESSUN CASO LE PARTI SEGWAY E I RIVENDITORI SEGWAY SARANNO RITENUTI RESPONSABILI NEI CONFRONTI DI QUALSIASI PERSONA PER DANNI CONSEGUENZIALI, INDIRETTI, INCIDENTALI, PARTICOLARI, ESEMPLARI, PUNITIVI O POTENZIATI DERIVANTI DA, O RELATIVI A, E/O IN CONNESSIONE CON L'ACQUISTO DEL PRODOTTO, NÈ PER QUALSIASI VIOLAZIONE DEGLI OBBLIGHI DI CUI AL PRESENTE CONTRATTO O DEL PRODUTTORE A PRESCINDERE: (A) DAL FATTO CHE TALI DANNI FOSSERO PREVEDIBILI, (B) DAL FATTO CHE SEGWAY O ALTRE PARTI SEGWAY FOSSERO STATI AVVISATI DELLA POSSIBILITÀ DI TALI DANNI E (C) DALLA TEORIA LEGALE O EQUA (CONTRATTO, ILLECITO O ALTRO) SU CUI SI BASA IL RECLAMO, SALVO CHE TALI LIMITAZIONI ED ESCLUSIONI SIANO VIETATE DALLA LEGGE APPLICABILE. LE SUDETTE LIMITAZIONI O ESCLUSIONI SONO APPLICABILI ANCHE SE UN CLIENTE LESO O UNA PERSONA SI AVVALE DI UN MEZZO DI RICORSO (CHE POTREBBE FAR VALERE IL PROPRIO DIRITTO O ESPORRE UN RECLAMO IN CONFORMITÀ CON IL PRESENTE ACCORDO AI SENSI DELLA LEGGE O DELL'EQUITÀ) INADATTO ALLO SCOPO PERSEGUITO IN CONFORMITÀ AL PRESENTE ACCORDO. NEL CASO IN CUI ALCUNI PAESI NON CONSENTANO L'ESCLUSIONE O LA LIMITAZIONE DI ALCUNI O TUTTI I DANNI PRECEDENTI E, PERTANTO, NELLA MISURA IN CUI TALI LIMITAZIONI O ESCLUSIONI NON SONO CONSENTITE DALLA LEGGE, POTREBBERO NON ESSERE APPLICABILI ALL'UTENTE. ALCUNI PAESI NON CONSENTONO L'ESCLUSIONE O LA LIMITAZIONE DI DANNI INCIDENTALI O CONSEGUENZIALI E, PERTANTO, NELLA MISURA IN CUI TALI LIMITAZIONI O ESCLUSIONI NON SIANO CONSENTITE DALLA LEGGE, LA LIMITAZIONE O ESCLUSIONE DI CUI SOPRA POTREBBE NON ESSERE APPLICABILE ALL'UTENTE.

- 5.4 Nei limiti previsti dalla legge applicabile, le PARTI SEGWAY e i RIVENDITORI SEGWAY RESPINGONO ogni responsabilità e pertanto non saranno responsabili per eventuali danni, inclusi, a titolo esemplificativo ma non esaustivo, decesso, lesioni fisiche o danni alla proprietà, derivanti da o correlati a qualsiasi condotta (compresa la cattiva condotta), azione, inazione, atto (incluso l'inadempimento), omissione o negligenza da parte di rivenditori, distributori, grossisti, rivenditori, fornitori di servizi o terzi autorizzati o non autorizzati coinvolti nella distribuzione del Prodotto o dei servizi ad esso contenuti. Nei limiti previsti dalla legge applicabile, le dichiarazioni esplicite e le garanzie, se presenti e contenute nel presente documento, saranno le sole rilasciate dalle PARTI SEGWAY nei confronti dell'utente, di qualsiasi consumatore e/o dell'utente finale, pertanto le PARTI SEGWAY non saranno responsabili per altre garanzie e/o dichiarazioni che potrebbero essere concesse e/o fornite da un'altra persona, salvo che non abbiano esplicitamente autorizzato che tali garanzie e/o dichiarazioni aggiuntive vadano fornite al consumatore o all'utente finale.

6. Reclami, risoluzione delle controversie e arbitrato

LE CLAUSOLE QUI CONTENUTE SONO LEGALMENTE VINCOLANTI TRA L'UTENTE (PERSONA INDIVIDUALE O ENTITA') E SEGWAY DISCOVERY BV, LE SUE AFFILIATE, LE PARTI SEGWAY E I RIVENDITORI SEGWAY. LE CLAUSOLE CONTENUTE NEL PRESENTE DOCUMENTO POSSONO INFLUIRE SUI DIRITTI DELL'UTENTE, PERTANTO È RESPONSABILITÀ DELLO STESSO DI LEGGERE I SEGUENTI PARAGRAFI. LA RINUNCIA AL CONTRATTO È POSSIBILE ENTRO 30 GIORNI DI CALENDARIO DALL'ACQUISTO INIZIALE DA PARTE DEL CONSUMATORE INVIANDO UN'E-MAIL A OPTOUT@SEGWAY.COM E FORNENDO LE INFORMAZIONI PERTINENTI. PER MAGGIORI DETTAGLI, SI VEDA IL PARAGRAFO 6.2.

6.1 Arbitrato vincolante

Le Parti Segway, i Rivenditori Segway e l'utente accettano che le eventuali dispute, controversie o reclami derivanti da o inerenti e connessi al presente accordo, alla garanzia limitata, alla vendita, alle condizioni o alle prestazioni del prodotto, che abbiano come proprio fondamento un contratto, un atto illecito, una frode, una falsa dichiarazione o qualsiasi altra teoria giuridica ai sensi di legge o in via equitativa, ivi compresi, a titolo esemplificativo e non esaustivo, eventuali reclami per decesso, lesioni o danni alla proprietà, saranno disciplinati e interpretati conformemente alle leggi dei Paesi Bassi con l'esclusione dei suoi conflitti nelle disposizioni legislative, e infine risolti dalla Camera di Commercio Internazionale (ICC) ai sensi del Regolamento di arbitrato 2021 della CPI in corso di validità, le cui norme si ritengono incorporate alla presente clausola per riferimento. Le parti convengono altresì che:

- i. La sede dell'arbitrato è Amsterdam, Paesi Bassi.
- ii. Il Tribunale è composto da 3 arbitri.
- iii. La lingua dell'arbitrato è l'inglese.

La clausola 6 “Reclami, risoluzione delle controversie e arbitrato obbligatorio” resterà invariata alla risoluzione o alla scadenza del presente contratto e/o della garanzia limitata o nel caso in cui il presente contratto e/o la garanzia limitata siano ritenuti nulli, annullabili, non validi o inapplicabili, in tutto o in parte, da un organo di aggiudicazione competente con autorità e giurisdizione effettiva in materia.

6.2 Rinuncia

L'UTENTE PUÒ RINUNCIARE ALLA PROCEDURA DI RISOLUZIONE DELLE CONTROVERSIE FORNENDO COMUNICAZIONE ALLE PARTI SEGWAY O ALLA STESSA SEGWAY ENTRO TRENTA (30) GIORNI DI CALENDARIO A PARTIRE DALLA DATA DEL PRIMO ACQUISTO DEL PRODOTTO DA PARTE DEL CONSUMATORE. PER LA RINUNCIA È NECESSARIO INVIARE UNA COMUNICAZIONE VIA E-MAIL ALL'INDIRIZZO OPTOUT@SEGWAY.COM, CON L'OGGETTO: “RINUNCIA ALL'ARBITRATO”. LA NOTIFICA DI RINUNCIA TRAMITE E-MAIL DEVE INCLUDERE (A) IL NOME, L'INDIRIZZO DI POSTA ELETTRONICA, L'INDIRIZZO POSTALE E IL NUMERO DI TELEFONO; (B) LA DATA IN CUI IL PRODOTTO È STATO ACQUISTATO; (C) LA DENOMINAZIONE O IL NUMERO DI MODELLO DEL PRODOTTO; E (D) IL NUMERO DI SERIE. IN ALTERNATIVA, È POSSIBILE INVIARE UNA LETTERA DI OPZIONE RINUNCIA A SEGWAY PRESSO Dynamostraat 7, 1014BN, Amsterdam, Paesi Bassi. POSTA CERTIFICATA ENTRO TRENTA (30) GIORNI DI CALENDARIO DALLA DATA DELL' ACQUISTO INIZIALE DEL PRODOTTO DA PARTE DELL'UTENTE FINALE DAL RIVENDITORE SEGWAY. LA LETTERA DI RINUNCIA CONTIENE LE SEGUENTI INFORMAZIONI: (A) IL NOME, L'INDIRIZZO DI POSTA ELETTRONICA, L'INDIRIZZO POSTALE E IL NUMERO DI TELEFONO; (B) LA DATA IN CUI IL PRODOTTO È STATO ACQUISTATO; (C) LA DENOMINAZIONE O IL NUMERO DI MODELLO DEL PRODOTTO; (D) IL NUMERO DI SERIE ED (E) LA SEGUENTE DICHIARAZIONE: IL CONSUMATORE DI CUI SOPRA SCEGLIE DI RINUNCIARE ALLA PROCEDURA DI RISOLUZIONE DELLE CONTROVERSIE COME PREVISTO DALLA PRESENTE GARANZIA LIMITATA; QUESTE SONO LE UNICHE DUE MODALITÀ EFFICACI PER RINUNCIARE ALLA PROCEDURA DI RISOLUZIONE DELLE CONTROVERSIE. L'OPZIONE DI RINUNCIA A TALE PROCEDURA NON INFLUIRÀ IN ALCUN MODO SULLA COPERTURA DELLA GARANZIA LIMITATA E L'UTENTE CONTINUERÀ A GODERE DEI SUOI VANTAGGI.

6.3 Lingua

Il presente Accordo può essere tradotto in diverse lingue. In caso di discrepanze, farà fede o andrà consultata la versione inglese.

5 TRADUZIONE DELLA DICHIARAZIONE DI CONFORMITÀ ORIGINALE

Produttore

Nome: Willand (Beijing) Technology Co., LTD.

Indirizzo: Room 203, A1 Bldg. Zhongguancun Dongsheng Technology Park (Northern Territory), No. 66, Xixiaokou Rd, Haidian Dist., Beijing, Cina.

Rappresentante autorizzato

Nome: Segway Discovery BV

Indirizzo: Dynamostraat 7, 1014BN Amsterdam, Paesi Bassi

Oggetto della dichiarazione

Denominazione generica: Tosaerba robotico

Nome del prodotto: Navimow

Tipo/modello: H500E/H800E/H1500E/H3000E

Numero seriale: S2RA x yyyy x yyyy/S2RC x yyyy x yyyy/S2RE x yyyy x yyyy/S2RT x yyyy x yyyy

("x" indica qualsiasi lettera dalla A alla Z eccetto O e I, "y" indica qualsiasi lettera dalla A alla Z eccetto O e I o qualsiasi numero da 0-9)

Questa Dichiarazione di Conformità viene rilasciata sotto l'esclusiva responsabilità del fabbricante.

L'oggetto della dichiarazione sopra descritta è conforme alle seguenti Direttive UE:

- Direttiva sulle apparecchiature radio (2014/53/UE)
- Direttiva Macchine (2006/42/CE)
- Direttiva RoHS (2011/65/UE) e direttiva di modifica ((UE) 2015/863)

La conformità a queste Direttive è stata valutata per questo prodotto dimostrando la conformità ai seguenti standard e/o regolamenti armonizzati:

EN 60335-1:2012+A11:2014+AC:2014+A13:2017+A1:2019+A14:2019+A2:2019

EN 50636-2-107:2015+A1:2018+A2:2020

EN IEC 61000-3-2:2019+A1:2021

EN 61000-3-3:2013+A1:2019

EN IEC 55014-1:2021

EN IEC 55014-2:2021

ETSI EN 300 220-1 V3.1.1

ETSI EN 300 220-2 V3.1.1

ETSI EN 300 328 V2.2.2

ETSI EN 303 413 V1.1.1

EN 50665:2017

EN 62133-2:2017

ETSI EN 301 908-1 V13.1.1

ETSI EN 301 908-13 V13.1.1

ETSI EN 301 489-1 V2.2.3

ETSI EN 301 489 - 3 V2.2.0

ETSI EN 301 489-17 V3.2.4

ETSI EN 301 489-19 V2.1.1

ETSI EN 301 489-52 V1.2.1

ETSI EN 301 511 V12.5.1

EN IEC 62311:2020

EN IEC 63000:2018

Firmato a nome e per conto di: Willand (Beijing) Technology Co., LTD.

Luogo: Changzhou, China

Data: 22-02-2022

Nome: Crystal Zhuang

Funzione: Responsabile della certificazione

Firma: *Crystal Zhuang*

6 Certificazioni

European Union Compliance Statement

Informazioni sullo smaltimento per gli utenti che intendono disfarsi di apparecchiature elettriche ed elettroniche.



Questo simbolo sul prodotto o sulla sua confezione indica che i prodotti elettrici ed elettronici usati non devono essere mescolati con i rifiuti urbani indifferenziati. Per un trattamento adeguato, è responsabilità dell'utente smaltire i rifiuti provenienti da apparecchiature organizzando la restituzione ai punti di raccolta designati.

Lo smaltimento corretto di questo prodotto consentirà di risparmiare risorse preziose e prevenire potenziali effetti negativi sulla salute e sull'ambiente, che potrebbero altrimenti derivare da una gestione inappropriata dei rifiuti.

Per restituire il dispositivo usato, utilizzare i sistemi di restituzione e raccolta o contattare il rivenditore presso il quale è stato acquistato il prodotto gratuitamente, quindi contattare l'autorità locale per ulteriori dettagli sul punto di raccolta designato più vicino.

È possibile l'applicazione di sanzioni per lo smaltimento errato di questi rifiuti, in conformità con la legislazione nazionale.

Informazioni sullo smaltimento per gli utenti di batterie usate



Questo simbolo indica che le batterie e gli accumulatori, al termine del ciclo di vita, non devono essere mischiati con i rifiuti urbani indifferenziati. Il contributo dell'utente costituisce una parte importante dell'impegno volto a ridurre al minimo l'impatto di batterie e accumulatori sull'ambiente e sulla salute dell'uomo. Per un corretto riciclaggio è possibile restituire questo prodotto e le batterie o gli accumulatori in esso contenuti al fornitore o a un punto di raccolta designato a costo zero.

Lo smaltimento corretto di questo prodotto consentirà di risparmiare risorse preziose e prevenire potenziali effetti negativi sulla salute e sull'ambiente, che potrebbero altrimenti derivare da una gestione inappropriata dei rifiuti.

È possibile l'applicazione di sanzioni per lo smaltimento errato di questi rifiuti, in conformità con la legislazione nazionale.

Esistono sistemi di raccolta differenziata per pile e accumulatori usati.

Smaltire correttamente le batterie e gli accumulatori presso il centro di raccolta/riciclaggio dei rifiuti della propria comunità locale.

Direttiva sulla limitazione dell'uso di determinate sostanze pericolose (RoHS)

Willand (Beijing) Technology Co., LTD. dichiara che l'intero prodotto comprese le parti (cavi, fili e così via) soddisfa i requisiti della direttiva RoHS 2011/65/UE e l'emendamento alla Direttiva delegata della Commissione (UE) 2015/863 sulla restrizione dell'uso di determinate sostanze pericolose nelle apparecchiature elettriche ed elettroniche ("Rifusione della direttiva RoHS" o "RoHS 2.0").

Direttiva sulle apparecchiature radio

Willand (Beijing) Technology Co., LTD. dichiara che il prodotto elencato nella presente sezione è conforme ai requisiti essenziali e ad altre disposizioni pertinenti della Direttiva sulle apparecchiature radio 2014/53/UE.

Direttiva Macchine

Willand (Beijing) Technology Co., LTD. dichiara che il prodotto elencato nella presente sezione è conforme ai requisiti essenziali e ad altre disposizioni pertinenti della Direttiva Macchine 2006/42/CE.

Rappresentante autorizzato per l'Europa:



Segway Discovery BV Dynamostraat 7, 1014BN Amsterdam, Paesi Bassi.

Willand (Beijing) Technology Co., LTD. dichiara con la presente che il prodotto è conforme ai requisiti essenziali e ad altre disposizioni pertinenti della Direttiva RoHS 2011/65/UE e dell'emendamento alla Direttiva Delegata della Commissione (UE) 2015/863, della Direttiva sulle apparecchiature radio 2014/53/UE e della Direttiva Macchine 2006/42/CE.

Bluetooth	Bande di frequenza	2,4000-2,4835 GHz
	Max. potenza RF	20 mW

7 Contattaci

Produttore: Willand (Beijing) Technology Co., LTD.

Indirizzo: Room 203, A1 Bldg. Zhongguancun Dongsheng Technology Park (Northern Territory), No. 66, Xixiaokou Rd, Haidian Dist., Beijing, Cina.

Contattarci se si riscontrano problemi relativi alla guida, alla manutenzione e alla sicurezza o errori/guasti con il proprio tosaerba.

Rappresentante autorizzato per l'Europa: Segway Discovery BV, Dynamostraat 7, 1014BN Amsterdam, Paesi Bassi.

Rappresentante autorizzato: Segway Discovery BV, Hogehilweg 8 - 6th Floor, 1101CC Amsterdam, Paesi Bassi.

Sito web: navimow.segway.com

EN	Important Information	2
DE	Wichtige Informationen	20
FR	Informations importantes	36
IT	Informazioni importanti	52
NL	Belangrijke informatie	68
SV	Viktig information	84
FI	Tärkeitä tietoja	100
NO	Viktig informasjon	116
DA	Vigtig information	132

Inhoudsopgave

1	Veiligheidswaarschuwingen	69
2	Onderdelen en functies	72
3	Onderhoud	74
4	Beperkte garantie	77
5	VERTALING VAN DE ORIGINELE CONFORMITEITSVERKLARING	81
6	Certificeringen	82
7	Neem contact met ons op	82
	Nederlandstalige instructies	

Il produttore si riserva il diritto di apportare modifiche al prodotto, rilasciare aggiornamenti del firmware e aggiornare il presente manuale in qualsiasi momento. Le illustrazioni del prodotto, degli accessori e dell'interfaccia dell'app servono esclusivamente a scopi di riferimento. Prodotto e funzioni effettivi potrebbero subire variazioni. Accedere alla pagina navimow.segway.com per il **manuale utente** completo e le note legali.

Lees en begrijp alle veiligheidswaarschuwingen en onderhoudsmethoden vóór gebruik.
Gooi deze handleiding NIET weg, het is een permanent onderdeel van dit product.

1 Veiligheidswaarschuwingen

BELANGRIJK

AANDACHTIG LEZEN VOOR GEBRUIK

BEWAAR VOOR TOEKOMSTIGE REFERENTIE

- 1) Zorg ervoor dat u de Navimow (in de handleiding de maaier genoemd) en het laadstation volgens de instructies installeert en bedient. Ga naar navimow.segway.com voor de volledige gebruikershandleiding en het nieuwste gebruikersmateriaal.
- 2) Het product kan zowel door consumenten als voor professionele doeleinden worden gebruikt. Het gebruik van de maaier voor andere doeleinden dan maaien kan ernstig letsel veroorzaken. Lees en begrijp alle waarschuwingen en voorzorgsmaatregelen om het risico op letsel te voorkomen. Begrijp dat u het risico kunt verminderen door de instructies en waarschuwingen in deze handleiding op te volgen, maar u kunt niet alle risico's uitsluiten. De bediener of gebruiker is verantwoordelijk voor ongevallen of gevaren die andere mensen op hun eigendom overkomen.
- 3) Navimow heeft veel ingebouwde veiligheidssensoren, maar er zijn nog steeds veiligheidsrisico's. Stel een maaitijd in wanneer er geen mensen of huisdieren op het gazon zijn. Informeer de bureu over de risico's op ongevallen of gevaren. Wanneer u de maaier op een openbaar gazon gebruikt of wanneer uw gazon bereikbaar is voor uw bureu of via de straat, bescherm of omhein het gazon dan of plaats een waarschuwingsbord rond het werkgebied met de tekst: WAARSCHUWING! Automatische grasmaaier! Blijf uit de buurt van de machine! Houd toezicht op kinderen!
- 4) Pas de maaier NIET zelf aan. Aanpassingen kunnen de werking van de maaier verstoren, leiden tot ernstig letsel en/of schade of de beperkte garantie doen vervallen. Gebruik alleen door Segway goedgekeurde onderdelen en accessoires.
- 5) De fabrikant raadt aan dat de gebruiker 18-70 jaar oud is. Zorg ervoor dat u de nodige opleiding krijgt voordat u de machine bedient.

⚠ WAARSCHUWING

Laat nooit kinderen, personen met verminderde fysieke, zintuiglijke of mentale capaciteiten of gebrek aan ervaring en kennis of mensen die niet vertrouwd zijn met deze instructies, de machine gebruiken. Lokale voorschriften kunnen de leeftijd van de bediener beperken.

Voor het maaien:

- Controleer regelmatig of alle onderdelen van de maaier normaal kunnen werken.
- Voor het beste maaieresultaat, is het aan te raden om bij droog weer te maaien. Als u in de regen maait, kan het gras aan het product blijven kleven en kan de maaier wegglijden. Maai NIET bij slecht weer, zoals hevige regen, onweer of sneeuw.
- Inspecteer regelmatig het gebied waar de machine zal worden gebruikt en verwijder alle stenen, stokken, draden, botten en andere vreemde voorwerpen. De beperkte garantie dekt geen schade die wordt veroorzaakt door voorwerpen die op het gazon zijn achtergelaten.
- Om mogelijke schade te voorkomen, dient u de werkende maaier op minstens 1 m (3 voet) afstand van sprinklerkoppen te houden. De maaier en de sprinkler mogen NIET gelijktijdig werken. Stel de timer van de maaier in zodat deze op een ander tijdstip werkt dan de sproeier.
- Laat kinderen NOOIT de voeding, het laadstation, de messen, het batterijcompartiment of onderdelen met openingen, zoals de wielen, aanraken.

⚠ WAARSCHUWING

Gebruik de machine en/of de randapparatuur nooit met defecte afschermingen of beschermkappen of met een beschadigd of versleten snoer.

Tijdens het maaien:

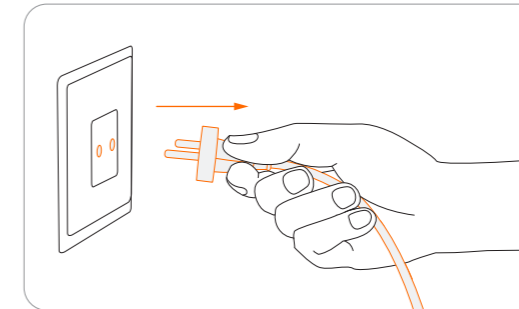
- Blijf uit de buurt van de draaiende messen! Plaats GEEN handen of voeten onder of in de buurt van de roterende messen.
- Pas op voor het wegspringende voorwerpen! Blijf tijdens het gebruik op een veilige afstand van de maaier.
- Laat de machine NIET zonder toezicht werken als u weet dat er huisdieren, kinderen of mensen in de buurt zijn.
- NIET te ver reiken. Houd te allen tijde uw evenwicht en wees altijd zeker van de grip op hellingen. Loop, ren nooit terwijl u de machine of de randapparatuur bedient.

⚠ WAARSCHUWING

- Laat kinderen NIET in de buurt of met de machine spelen wanneer deze in werking is.
- Til de maaier NIET op terwijl hij in bedrijf is. Rijd NIET op de maaier.
- Maai NIET op gebieden met hellingen die steiler zijn dan de maximale helling binnen het werkgebied (45%) en de grens (10%).
- Als de maaier een abnormaal geluid maakt of een alarm geeft, druk dan onmiddellijk op de STOP-knop.
- Als er abnormale trillingen zijn, zet u de maaier uit, zet u hem ongeveer 30 seconden op een vlakke ondergrond en start u hem opnieuw. Als het probleem aanhoudt, neem dan contact op met de erkende klantendienst.
- Raak bewegende gevaarlijke onderdelen NIET aan voordat ze volledig tot stilstand zijn gekomen.

Veilig gebruik:

- Gebruik de maaier NIET buiten de temperatuurlimieten: -10–50 °C (14–122 °F), omdat lage/hoge temperaturen de prestaties van de maaier kunnen verminderen en zelfs tot ongelukken kunnen leiden.
- Plaats GEEN voorwerpen op de maaier of het laadstation.
- Het wordt aanbevolen om regelmatig onderhoud aan de maaier uit te voeren (zie *Onderhoud*) door een volwassene.
- Controleer regelmatig de waarschuwingsapparaten om er zeker van te zijn dat ze werken. Deze apparaten omvatten de zoemer, het LED-lampje op het laadstation en het omgevingslicht op de maaier.
- Lees voor het opladen *Hoe opladen* in de gebruikershandleiding. Onjuist gebruik kan elektrische schokken, oververhitting of lekkage van bijtende vloeistof veroorzaken.
- Als het snoer van de voeding of de verlengkabel beschadigd of verstrikt raakt tijdens het gebruik, trek dan de stekker uit het stopcontact en maak haal de knopen uit de kabel. Om gevaar te voorkomen, trekt u aan de stekker in plaats van aan het snoer wanneer u de voeding uit het stopcontact haalt. Neem contact op met de klantendienst en laat een professionele technicus het snoer repareren of vervangen.



Symbolen en stickers

Bestudeer de symbolen op het product en de etiketten zorgvuldig en begrijp hun betekenis:



⚠ **WAARSCHUWING** - Lees de gebruiksaanwijzing voordat u de machine bedient.



⚠ **WAARSCHUWING** - Raak het draaiende mes niet aan.



⚠ **WAARSCHUWING** - Blijf tijdens het gebruik op een veilige afstand van de machine.



⚠ **WAARSCHUWING** - Rijd niet op de machine.



⚠ **Gebruik het uitschakelmechanisme voordat u werkzaamheden uitvoert aan de machine of de machine optilt*.**
*Zorg ervoor dat de maaier is vergrendeld met de pincode voordat u deze optilt of gebruikt.



⚠ **WAARSCHUWING** - Het is niet toegestaan om dit product als normaal huishoudelijk afval weg te gooien. Zorg ervoor dat het product wordt gerecycled overeenkomstig de lokale wettelijke vereisten.

71
NL



Dit product is conform de geldende EG-richtlijnen.

RoHS

Dit product voldoet aan de voorschriften van de beperking van gevaarlijke stoffen.



Lees de instructies vóór het opladen.



Dit product voldoet aan de toepasselijke Britse wetgeving.



Polariteit van de oplaadpoort



Klasse II-apparaat



SMPS met een isolerende veiligheidstransformator die bestand is tegen kortsluiting (inherent of niet-inherent)



SMPS (schakelende voeding)



DoE Level VI-efficiëntie



De maximale gebruikshoogte is 5000 m

IP55/IP66

IP55/IP66

ta: 40°C

De maximale gebruikstemperatuur is 40°C



Gelijkstroom



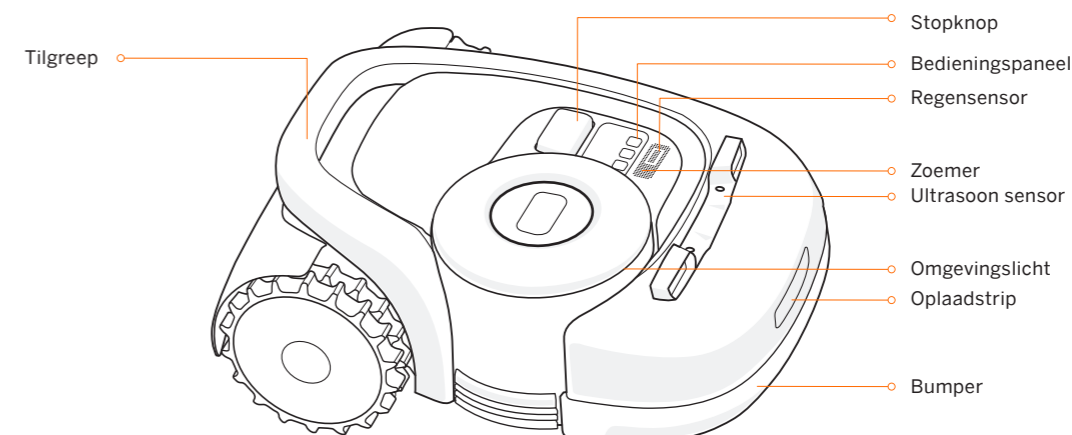
Wisselstroom



Klasse III-apparaat

2 Onderdelen en functies

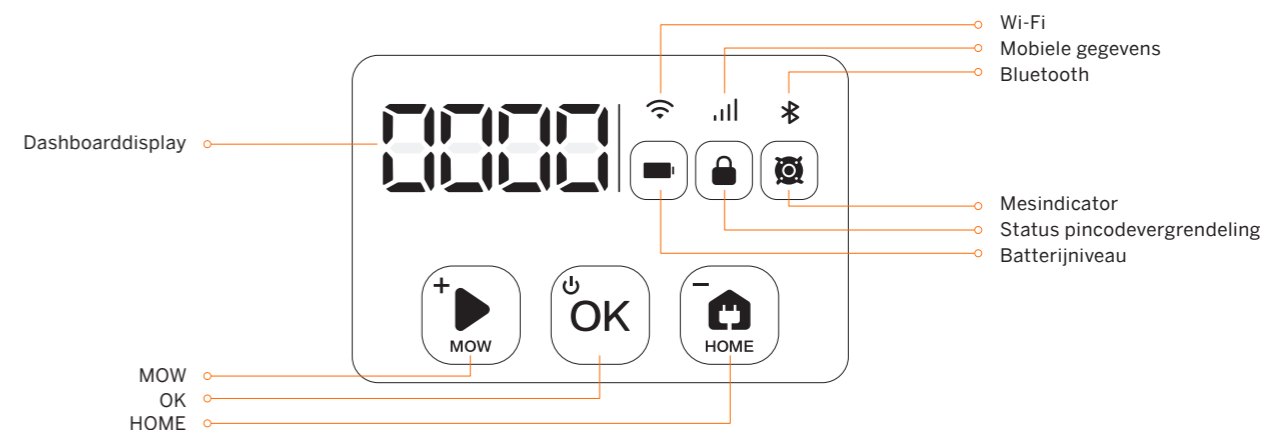
Bovenaanzicht



Omgevingslicht: Wanneer zich een afwijking voordoet, knippert de LED-ring rood samen met een zoemer.

Ultrasoon sensor: Bepaalde modellen zijn uitgerust met een ultrasoon sensor. De sensor wordt ook apart verkocht en kan op alle Navimow-modellen worden geïnstalleerd. Raadpleeg uw dealer voor details.

Bedieningspaneel



Batterijniveau: De kleur geeft het batterijniveau aan: 50%–100% ononderbroken groen, 20%–49% ononderbroken geel, 5%–19% ononderbroken rood, ≤ 5% rood knipperend. Als het batterijpictogram rood is, moet de maaier worden opgeladen.

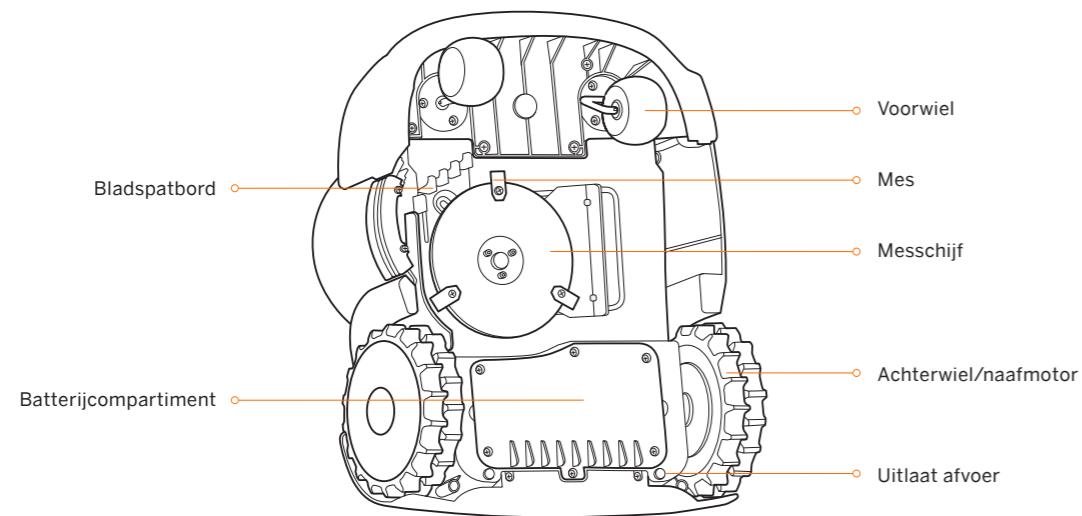
Dashboarddisplay: Dit display toont het maaipercentage, de pincode, foutcodes, enz.

Pincode: Voordat u de maaier handmatig bedient, moet u de pincode invoeren. De standaardcode is 0000 en kan worden gewijzigd via de Navimow-app (in deze handleiding de app genoemd). Druk op MOW/HOME om het nummer te verhogen/verlagen en druk op OK om de code te bevestigen.

Basishandelingen

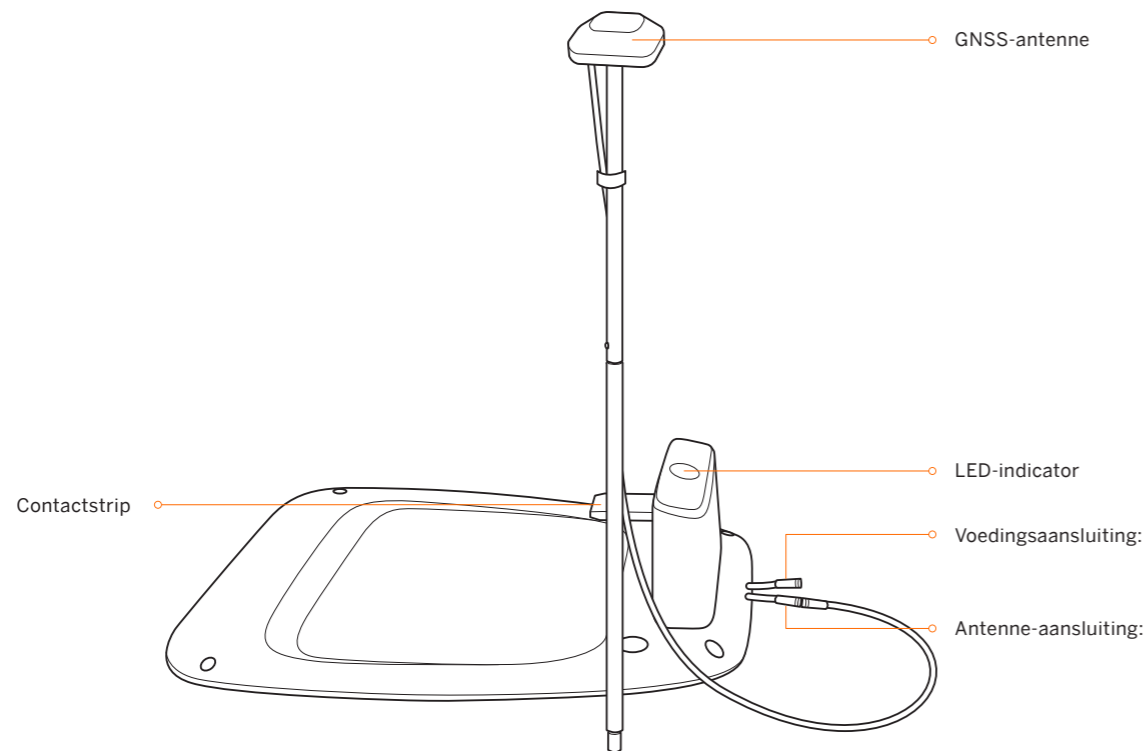
- Aanzetten: Druk op OK.
- Uitschakelen: Houd OK 4 seconden ingedrukt of schakel uit via de app. De maaier kan niet worden uitgeschakeld wanneer deze in het laadstation staat.
- Begin met maaien: Druk op MOW en vervolgens op OK.
- Stop de werking van de maaier: Druk op STOP.
- De maaier keert terug naar het laadstation: Druk op HOME en vervolgens op OK.

72
NL



Uitlaat afvoer: Als de maaier in het water valt, haal hem er dan onmiddellijk uit en leg de maaier met de goede kant naar boven om hem leeg te maken. Dompel de maaier nooit onder in water, anders kunnen de onderdelen beschadigd raken en vervalt de beperkte garantie.

Laadstation en de GNSS-antenne



OPMERKING: Als de GNSS-antenne geblokkeerd is, wat resulteert in een slecht signaal en onnauwkeurige positionering, koop dan de antenne-uitbreidingskit en installeer deze volgens de instructies.

3 Onderhoud

Om betere maaieresultaten te bereiken en de levensduur te verlengen, moet u ervoor zorgen dat de maaier schoon is en de messen in goede staat. Inspectie en onderhoud moeten wekelijks door een volwassene worden uitgevoerd. Alle beschadigde of versleten onderdelen moeten worden vervangen. **Voer GEEN onderhoud uit als u open sandalen draagt of op blote voeten loopt. Draag altijd een lange broek en werkschoenen wanneer u onderhoud aan de maaier uitvoert.**

1) Reiniging

Gebruik een zachte borstel of doek om schoon te maken. NIET reinigen met alcohol, benzine, aceton of andere bijtende/vluchtige oplosmiddelen. Deze stoffen kunnen het uiterlijk en de interne structuur van uw maaier beschadigen. Voor een juiste aansluiting moet u het laadstation regelmatig inspecteren en vuil en modder verwijderen. Zorg ervoor dat alle verbindingdelen van het laadstation, de verlengkabel en de voeding niet geblokkeerd zijn.

A. Chassis en messenschijf

Als het chassis en de messenschijf vuil zijn, gebruik dan een borstel of een waterslang om ze schoon te maken. Gebruik GEEN hogedrukreiniger. Zorg er tegelijkertijd voor dat zowel de messenschijf als de messen vrij kunnen draaien. LET OP: Water onder hoge druk kan in de afdichtingen lekken en elektronische en mechanische onderdelen beschadigen.

B. Wielen

Als er gras op de wielen zit, kan dit invloed hebben op de prestaties van de maaier bij het beklimmen van hellingen. Verwijder modder of andere voorwerpen die in of tussen de wielen vastzitten om voor een stevige grip te zorgen.

C. Regensensor

Controleer eens per week en zorg ervoor dat de regensensor niet wordt bedekt door modder, gras of andere voorwerpen. U kunt de sensor schoonspelen of schoonmaken met een zachte borstel.

⚠ WAARSCHUWING

- Zorg ervoor dat de maaier is uitgeschakeld voordat u hem schoonmaakt.
- Als de maaier ondersteboven staat, moet deze worden uitgeschakeld.

2) De messen vervangen

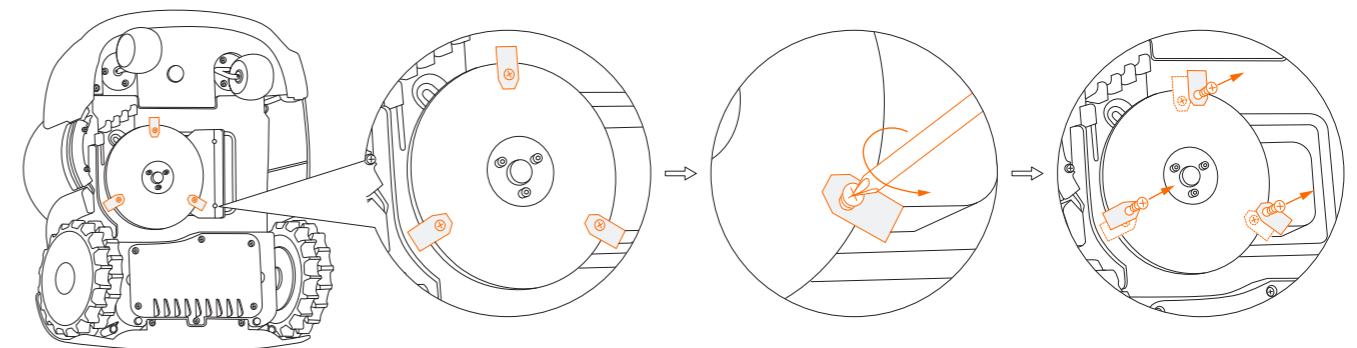
Als de maaier regelmatig wordt gebruikt, wordt aanbevolen om de messen en schroeven om de 1-2 maanden te vervangen om de veiligheid te garanderen en te zorgen voor betere maaieresultaten. Vervang alle drie de messen en hun schroeven tegelijkertijd voor een veilig maaisysteem.

⚠ WAARSCHUWING

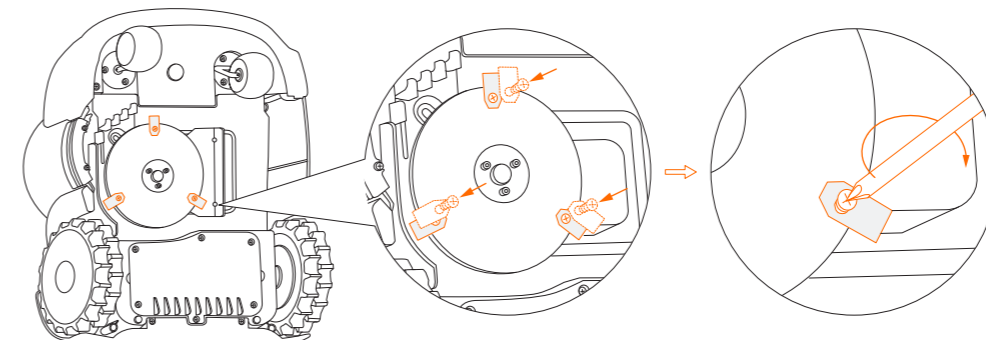
- Draag zware handschoenen wanneer u het mes inspecteert of onderhoudt.
- Gebruik alleen het juiste type schroeven en originele messen zoals goedgekeurd door Segway. Model van het mes: HA002E.
- Gebruik de schroeven NIET opnieuw. Dit kan ernstig letsel veroorzaken.

Hoe de messen vervangen:

- 1 Zet de maaier uit.
- 2 Plaats de maaier ondersteboven op een zachte en schone ondergrond om krassen te voorkomen.
- 3 Gebruik een kruiskopschroevendraaier om de drie schroeven los te draaien.
- 4 Verwijder de schroeven en messen.



- 5 Zet de nieuwe messen en schroeven vast (Aanhaalmoment: 1 N·m). Zorg ervoor dat de messen vrij kunnen draaien.

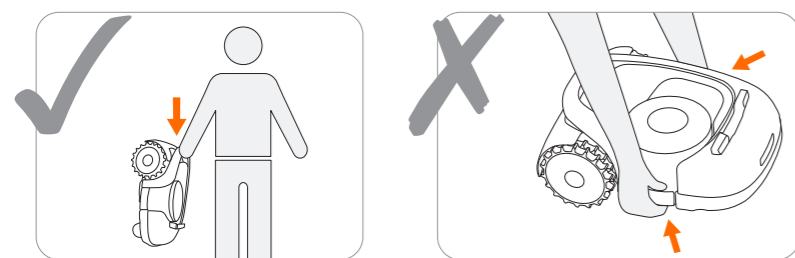


3) Vervoer:

Gebruik de originele verpakking voor transport over lange afstanden om de maaier te beschermen. Schakel het product uit voordat u het optilt, verplaatst of op een andere manier vervoert. Wees voorzichtig en vermijd brute kracht, zoals gooien en zware druk. Til of draag de maaier nooit terwijl de motor draait.

Hoe op de juiste manier verplaatsen of tillen:

Draag de maaier aan het handvat, met de messchijf van uw lichaam weg gericht.



OPGELET:

Om schade aan de maaier en/of het laadstation te voorkomen, mag u het product NIET optillen wanneer het in het laadstation geparkeerd staat.

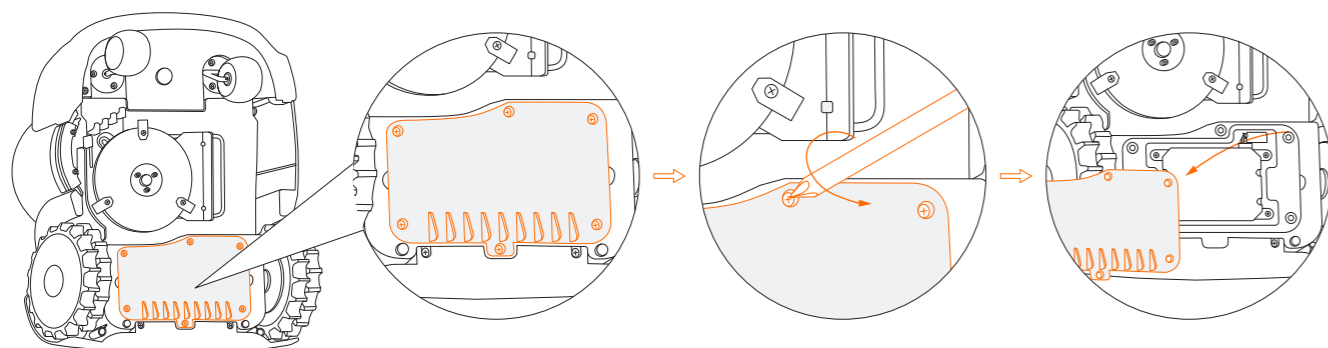
4) Batterij

Laad de batterij volledig op voordat u deze opbergt om overmatige ontlading en schade aan de elektrische onderdelen te voorkomen. Laad de maaier om de 120 dagen op voor langdurige opslag. Schade aan de batterij veroorzaakt door overmatige ontlading wordt niet gedekt door de beperkte garantie. Gebruik of bewaar de batterij NIET onder extreme temperatuuromstandigheden, dit wil zeggen boven 50°C (122°F) of onder -20°C (-4°F).

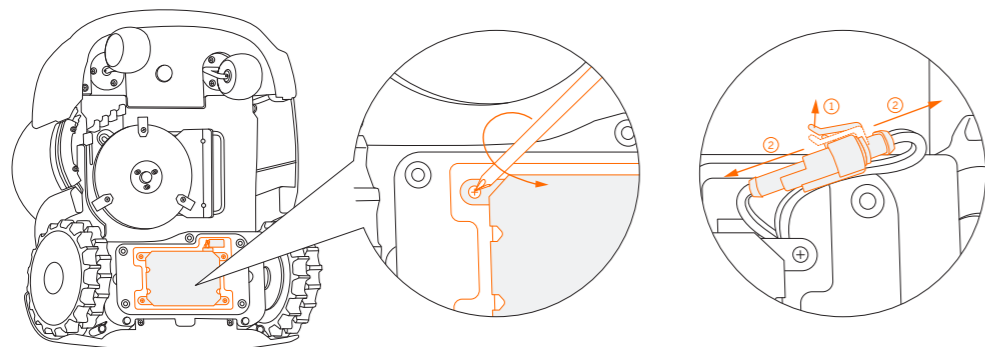
OPMERKING: De levensduur van de batterij hangt af van hoe vaak het product werkt en de het totaal aantal gebruiksuren. Wanneer de gebruiksduur per volledige lading korter is dan normaal of het gazon niet goed wordt gemaaid, overweeg dan om de batterij te vervangen.

Hoe de batterij vervangen:

- 1 Zet de maaier uit.
- 2 Plaats de maaier ondersteboven op een zachte en schone ondergrond.
- 3 Gebruik een kruiskopschroevendraaier om de 6 schroeven van het batterijcompartiment los te draaien.



- 4 Draai de 4 schroeven van het batterijcompartiment los.
- 5 Koppel de twee stekkers los.



- 6 Haal de batterij eruit en vervang deze door de nieuwe.
- 7 Sluit de stekkers aan en draai alle schroeven vast.

⚠ WAARSCHUWING

- Gebruik alleen de originele batterij of die van hetzelfde model als gespecificeerd door Segway. Elke maaier bevat één batterijpakket.
- Afhankelijk van het specifieke maaiermodel, is de nominale capaciteit van de batterij 5200 mAh, 7800 mAh of 10400 mAh.
- Gebruik geen niet-oplaadbare batterijen. Gebruik voor het opladen van de batterij alleen de afneembare voedingseenheid die bij dit apparaat is geleverd. Voor de Europese Unie: alleen gebruiken met de NBW32D002D5N - EU-voedingseenheid. Voor het Verenigd Koninkrijk: alleen gebruiken met de NBW32D002D5N - UK-voedingseenheid.
- De batterijbehuizing NIET demonteren of doorboren. Uit de buurt van metalen voorwerpen houden om kortsluiting te voorkomen. Uit de buurt van vuur, hitte en direct zonlicht houden.
- Neem voor informatie over batterij- en elektrisch afval contact op met uw afvalverwerkingsbedrijf, uw plaatselijke of regionale dienst voor afvalverwerking of uw verkooppunt.
- Het batterijpakket bevat elektrolyten. Als gelekt elektrolyt in contact komt met uw huid, was deze dan onmiddellijk met water en zeep. Zoek medische hulp in geval van oogcontact en spoel de ogen onmiddellijk met veel water, gedurende tenminste 15 minuten en zonder te wrijven.

5) Voeding

- Koppel de voeding los:
 - Alvorens een verstopping te verhelpen;
 - Voor controle, reiniging of werkzaamheden aan de machine;
 - Na het raken van een vreemd voorwerp om de machine op schade te inspecteren.
- Inspecteer regelmatig het snoer, de stekker, de behuizing en andere onderdelen. Als er schade of tekenen van veroudering worden vastgesteld, stop dan onmiddellijk met het gebruik.

⚠ WAARSCHUWING

- Gebruik GEEN beschadigde voeding. Als het netsnoer beschadigd is, moet het worden vervangen door de fabrikant, zijn servicevertegenwoordiger of gelijkaardig gekwalificeerde personen om gevaar te voorkomen. Als de verlengkabel defect is, vervang deze dan door de 10 meter lange kabel zoals goedgekeurd door Segway.
- Sluit een beschadigd snoer NIET aan op de voeding en raak een beschadigd snoer of verlengsnoer NIET aan voordat het uit het stopcontact is gehaald. Beschadigde snoeren kunnen tot contact met onderdelen onder spanning leiden.
- Gebruik de voeding NIET met een ander product of batterij, anders bestaat er risico op persoonlijk letsel, brand of elektrische schokken. De productveiligheid kan niet worden gegarandeerd met andere dan originele batterijen.
- NIET opladen wanneer de batterij lekt.
- Houd de verlengkabel uit de buurt van bewegende, gevaarlijke onderdelen om schade aan de snoeren te voorkomen, wat kan leiden tot contact met onderdelen die onder spanning staan.

Aanbeveling

Sluit de maaier en/of zijn randapparatuur alleen aan op een voedingsschakelaar dat wordt beschermd door een aardlekschakelaar (RCD) met een uitschakelstroom van niet meer dan 30 mA.

6) Opslag

- Schakel de maaier uit voordat u hem opbergt en laad hem volledig op om overontlading te voorkomen, wat permanente schade zal veroorzaken.
- Binnen op een koele en droge plaats bewaren. Blootstelling aan zonlicht en extreme temperaturen (zowel warm als koud) versnelt het verouderingsproces van de onderdelen en kan de batterij permanent beschadigen.
- Houd de maaier, het laadstation en de voeding uit de buurt van warmtebronnen (zoals fornuizen, radiatoren, enz.) of chemicaliën. Bescherm de voeding tegen vocht en bewaar deze op een goed geventileerde plaats.

⚠ WAARSCHUWING

Trek bij kans op onweer de stekker uit het stopcontact. Koppel alle kabels en draden los die op het laadstation zijn aangesloten. Sluit ze opnieuw aan wanneer er geen kans meer is op onweer.

Opslag tijdens de winter

- De maaier
Maak de maaier grondig schoon voordat u hem opbergt. Controleer de onderdelen die aan slijtage onderhevig zijn, zoals de messen. Repareer of vervang ze als ze in slechte staat verkeren. Bewaar de maaier op een droge en vorstvrije plaats, staand op alle wielen, bij voorkeur in de originele verpakking.
- Het laadstation
Haal de stekker uit het stopcontact en trek de stekker uit het laadstation. Neem het laadstation mee naar binnen en houd het uit de buurt van direct zonlicht.

7) Recycling en verwijdering op het einde van de levensduur

Behandel dit product NIET als huishoudelijk afval. Neem voor informatie over recycling contact op met uw dienst voor plaatselijke huisvuilophaling, uw gemeente of uw verkooppunt.

⚠WAARSCHUWING

Gooi dit product NIET weg op een stortplaats, door verbranding of door het te mengen met huishoudelijk afval. Gevaar of ernstig letsel kan ontstaan door de elektrische onderdelen.

8) Overige

- Zorg ervoor dat alle schroeven, moeren en bouten goed vast staan, om een normale en veilige werking te garanderen.
- De banden die bij het product worden geleverd, moeten door een professionele reparateur op het wiel worden gemonteerd. Het verwijderen van de wielen is ingewikkeld en een verkeerde montage kan leiden tot instabiliteit en storingen.
- Om een goede grip van het loopvlak te garanderen, houdt u de aangedreven wielen (achterwielen) schoon door de modder met een borstel te verwijderen.
- Het chassiscompartiment achter de bumper mag ALLEEN door erkende onderhoudstechnici worden geopend en opnieuw verzegeld. Als u zelf onderhoud pleegt, kan de beperkte garantie komen te vervallen.

KENNISGEVING: VERZEKERING

UW VERZEKERINGSPOLIS BIEDT MOGELIJK GEEN DEKKING VOOR ONGEVALLLEN MET BETREKKING TOT HET GEBRUIK VAN DIT PRODUCT. OM TE BEPALEN OF DEKKING WORDT VERSTREKT, MOET U CONTACT OPNEMEN MET UW VERZEKERINGSBEDRIJF OF -AGENT.

4 Beperkte garantie

Beperkte garantie en arbitrageovereenkomst (EMEA)

MERK OP : LEES DEZE OVEREENKOMST VOOR BEPERKTE GARANTIE EN ARBITRAGE EN BEWAAR DEZE OVEREENKOMST VOOR TOEKOMSTIG REFERENTIE. DEZE OVEREENKOMST BEVAT BEPERKTE GARANTIECLAUSULES VOOR CONSUMENTEN IN EUROPA, HET MIDDEN-OOSTEN EN AFRIKA (“EMEA”) EN ARBITRAGECLAUSULES MET BETREKKING TOT NAVIMOW (“PRODUCT”) EN ELKE TRANSACTIE EN CLAIM MET BETREKKING TOT EN/OF VOORTVLOEIEND UIT HET PRODUCT.

DIT IS EEN BINDENDE WETTELIJKE OVEREENKOMST (“OVEREENKOMST”) TUSSEN U (EEN INDIVIDU OF EEN ENTITEIT) EN DE FABRIKANT (“WILLAND”), SEGWAY DISCOVERY B.V. EMEA (“SEGWAY”) EN HUN GELIEERDE ONDERNEMINGEN (INCLUSIEF MAAR NIET BEPERKT TOT HET MOEDERBEDRIJF, DOCHTERONDERNEMINGEN, GELIEERDE ONDERNEMINGEN, VOORGAAND, VOLGENDE VENNOOTSCHAP, BEHEERDERS, OPVOLGERS, TOEGEWEZENEN, VERANTWOORDELIJKEN, DIRECTEURS, MANAGERS, AANDEELHOUDERS EN VERTEGENWOORDIGERS, ADVOCATEN, VERZEKERAARS OF HERVERZEKERAARS) (COLLECTIEF “SEGWAY-PARTIJEN”), SEGWAY-DEALERS (ZOALS HIERONDER GEDEFINIEERD) EN HUN GELIEERDE ONDERNEMINGEN (COLLECTIEF “SEGWAY-DEALERS”).

DE AANKOOP VAN HET PRODUCT, HET OPENEN VAN DE VERPAKKING VAN HET PRODUCT, HET GEBRUIKEN VAN HET PRODUCT, HET BEHOUDEN VAN HET PRODUCT, HET PROFITEREN VAN DE VOORDELEN VAN DEZE OVEREENKOMST OF HET ELEKTRONISCH AANVAARDEN VAN DEZE OVEREENKOMST, ZAL DE ACCEPTATIE VAN DEZE OVEREENKOMST VORMEN. IN HET GEVAL DAT U, ALS OUDER(S) OF WETTELIJKE VOOGD(EN), DIT PRODUCT KOOPT NAMENS OF VOOR UW KINDEREN, STEMT U HIERBIJ IN MET DE ALGEMENE VOORWAARDEN VAN DE OVEREENKOMST EN STEMT U ERMEE IN DAT U BEIDE EN UW KINDEREN DOOR DEZE OVEREENKOMST GEBONDEN ZULLEN ZIJN. U ERKENT EN GAAT ERMEE AKKOORD DAT U VOLDOENDE KENNISGEVING VAN DEZE OVEREENKOMST HEBT ONTVANGEN EN U GAAT AKKOORD MET DEZE OVEREENKOMST.

Noteer het serienummer van uw product

Noteer hieronder het serienummer van uw product. U vindt het serienummer op de buitenkant van de verpakking of op de onderkant van het product.

Serienummer hier

1. Beperkte garantie

Deze beperkte garantie dekt alleen defecten van materiaal of kwaliteit van het product en onderdelen, wanneer het product en onderdelen daarvan onder normale en gewone omstandigheden worden gebruikt. In het geval dat zich een defect voordoet dat onder deze Beperkte Garantie valt, zullen Segway en/of andere Segway-partijen naar eigen goeddunken het defecte product of onderdelen daarvan repareren of vervangen, overeenkomstig deze Beperkte Garantie. De geldende beperkte garantieperiode voor de beperkte garantie gaat in op de datum van de oorspronkelijke aankoop van het product van een van Segway, een erkende wederverkoper van Segway, een erkende verdeler van Segway of een erkende dealer (elk een “Segway-dealer” of gezamenlijk de “Segway-dealers”).

Contacten

Het product wordt vervaardigd door Willand (Beijing) Technology Co., LTD. (“WILLAND”) en verdeeld door Segway Discovery BV (“Segway”).

	Naam van het onderdeel			Beperkte garantieperiode
Maaierbehuizing	<ul style="list-style-type: none">KaderAandrijfmotorMesmotorMaaihoogtemotorAandrijvingskaartmoduleCU-kaartmoduleOplaadkaartmodule	<ul style="list-style-type: none">SensormoduleIoT-bordGPS-moduleHall-bordLed-bordUltrasoon module868 Antenne	<ul style="list-style-type: none">GPS-antenneMesschijfmontageGNSS-antenne	3 jaar (H500E, H800E) 4 jaar (H1500E, H3000E)
Accu	<ul style="list-style-type: none">Accu			2 jaar (H500E, H800E) 3 jaar (H1500E, H3000E)
Overige onderdelen	<ul style="list-style-type: none">StroomvoorzieningOplaadstripsVoedingskabelZoemer	<ul style="list-style-type: none">RegensensorBedieningspaneel/knoppenStopknopUniverseel wiel	<ul style="list-style-type: none">Montage antenne-installatieAlle kabels	1 jaar
Onderdelen onderhevig aan slijtage	<ul style="list-style-type: none">MesDecoratiestukPakkingAfdichtingsstripsDeksel handgreepBovenklep	<ul style="list-style-type: none">Montage transparante vatenMontage achterspatbordRubberen plugMontage laadstationBatterijdekselMontage bumper	<ul style="list-style-type: none">Ultrasoon dekselPinnen om de verlengkabel vast te zetten	90 dagen

DEZE BEPERKTE GARANTIE HIERIN IS DE ENIGE UITDRUKKELIJKE GARANTIE DIE VAN TOEPASSING IS OP HET PRODUCT EN DE ONDERDELEN, ACCESSOIRES EN SERVICEREPARATIE. SEGWAY EN SEGWAY-PARTIJEN WIJZEN ALLE ANDERE UITDRUKKELIJKE GARANTIES AF. SEGWAY EN ANDERE SEGWAY-PARTIJEN BEPERKEN DE DUUR EN RECHTSMIDDELEN VAN ALLE IMPLICIETE GARANTIES, MET INBEGRIIP VAN, MAAR NIET BEPERKT TOT DE GARANTIES VAN VERKOOPBAARHEID EN GESCHIKTHEID VOOR EEN BEPAALD DOEL, AL OF NIET BIJ WET, DE PRESTATIES, HET HANDELSVERLOOP, VOOR DE DUUR VAN DEZE UITDRUKKELIJKE BEPERKTE GARANTIE. DEZE BEPERKTE GARANTIE BEPERKT OP GEEN ENKELE WIJZE DE WETTELIJKE RECHTEN DIE U ALS CONSUMENT MOGELIJK HEBT, BIJVOORBEELD MET BETREKKING TOT CONFORMITEIT.

2. Serviceproces met beperkte garantie

De online diensten van Segway zijn beschikbaar op navimow.segway.com. Tijdens uw gebruik van het Product bent u van mening dat het Product of zijn onderdeel defect is en/of niet correct werkt. GELIEVE ONMIDDELLIJK TE STOPPEN MET HET GEBRUIK VAN HET PRODUCT EN HET PRODUCT GEPAST TE BEWAREN. UW VERDERE GEBRUIK VAN HET PRODUCT ONDER DERGELIJKE OMSTANDIGHEDEN, KAN U OF ANDEREN ERNSTIG KWETSEN OF ZELFS LEIDEN TOT FATALE ONGEVALLLEN EN/OF SCHADE AAN EIGENDOMMEN VEROORZAKEN. Neem daarna onmiddellijk contact op met Segway via support-navimow@rlm.segway.com Het medewerkers van de dienst technische ondersteuning van Segway zijn beschikbaar om u online of telefonisch te helpen bij het diagnosticeren van het defect en, indien vastgesteld, het verstrekken van verdere instructies. In het geval dat de garantiedienst aangesproken moet worden, moet u de volgende zaken voorbereiden, met inbegrip van (i) origineel aankoopbewijs van het product bij Segway-dealers, (ii) het serienummer van het product en (iii) een beschrijving van het defect, indien van toepassing. Na het verifiëren of u in aanmerking komt voor de bescherming en/of diensten van de Beperkte Garantie, dient u uw naam, e-mailadres, postadres en telefoonnummer om contact op te nemen met ons, wij zullen u begeleiden om onze service te krijgen.

Als u het defecte apparaat weer in gebruik wilt nemen, moet u: bent verantwoordelijk voor de verzendkosten en het risico op verlies en schade, die kunnen optreden tijdens de verzending naar Segway en (ii) van Segway naar u. U moet uw defect product of onderdeel in de originele of door Segway goedgekeurde verpakking, die op uw kosten wordt verstrekt, opnemen in de originele of door Segway goedgekeurde verpakking voor verzending van het Product naar Segway. U zult Segway verdedigen, vrijwaren en schadeloos stellen voor elk verlies en/of schade die kan worden veroorzaakt door uw onjuiste verpakking of verzending van het product of onderdeel naar Segway. Een erkende serviceprovider of Segway-dealer zal uw geretourneerde product inspecteren. Als Segway redelijkerwijs vaststelt dat het probleem niet wordt gedekt door de Beperkte Garantie, zal Segway u op de hoogte stellen en u informeren over diensten of vervangingsalternatieven, die voor u beschikbaar zijn tegen een vergoeding of Segway zal uw product niet gerepareerd naar u terugsturen en in dergelijke gevallen bent u verantwoordelijk voor de kosten van verzending en de verzekering van de verzending van uw product van Segway naar u. In het geval dat diensten niet worden gedekt door de beperkte garantie en u een door Segway-partijen en/of Segway-dealer een aanbevolen betaalde dienst afwijst, begrijpt en erkent u dat het niet repareren en/of onderhoud van het product het risico op vallen en/of defecten van het product die kunnen leiden tot ernstige materiële schade, ernstig lichamelijk letsel of overlijden kunnen verhogen en u stemt ermee in dat dit uw geïnformeerde toestemming is om een dergelijk risico te nemen. Voor een retourzending die in aanmerking komt voor garantiebescherming en/of diensten, vervangt Segway defecte producten door nieuwe of gereviseerde onderdelen van dezelfde of vergelijkbare stijl, zonder kosten aan te rekenen voor deze dienstverlening. Onderdelen die door Segway worden vervangen, worden bewaard en worden eigendom van Segway. In een dergelijke situatie betaalt Segway redelijke verzendkosten voor het retourneren van het product.

3. Geschiktheid voor beperkte garantie

- Uw serviceverzoek moet door Segway zijn ontvangen binnen de beperkte garantieperiode, zoals hierboven wordt beschreven en Segway moet uw product ontvangen overeenkomstig het hierboven gedefinieerde serviceproces met beperkte garantie.
- Uw product moet zijn gekocht bij een erkende Segway-dealer.
- U dient de originele aankoopbon voor te leggen.
- Uw Product moet een leesbaar, onbelemmerd, onaangepast en ongewijzigd serienummer hebben.
- Alle sabotagebestendige zegels moeten intact, op hun plaats en ongewijzigd zijn.

4. Uitsluitingen op de beperkte garantie

- Deze beperkte garantie beschrijft de dienst die voor u beschikbaar is, als uw product garantieservice vereist en u van aanvullende bescherming kunt genieten op grond van uw lokale wetgeving. Deze beperkte garantie dekt geen schade aan uw product of een onderdeel die wordt veroorzaakt door:
- Misbruik, foutief gebruik, roekeloosheid, nalatigheid of commercieel gebruik.
 - Onjuist opladen, opslaan, onderhouden of bedienen van het product, niet overeenkomstig de instructies of beperkingen zoals vermeld in de gebruikersinformatie.
 - Het product niet overeenkomstig de geldende toepasselijke wet- en regelgeving gebruiken.
 - Gebruik van het product door personen met onvoldoende ervaring.
 - Ongelukken, botsingen, brandschade, waterschade, chemische schade, gebruik van het product buiten het bedrijfstemperatuurbereik van het product, schade door hogedrukreiniger, aardbevingen, valschade.
 - Wijzigingen aan mechanische onderdelen, wijziging van elektronische onderdelen of wijzigingen aan software die in het product is ingebouwd.
 - Service, reparatie en onderhoud door niet-geautoriseerde leveranciers.
 - Cosmetische schade.
 - Gebruik van het product met een product, onderdeel of accessoire van een derde partij.
 - De normale achteruitgang van aan slijtage onderhevige onderdelen.
 - Gebruik van het product met te veel versleten onderdelen.

5. UITSLUITING EN BEPERKING VAN AANSPRAKELIJKHEID

- SEGWAY-PARTIJEN VERONDERSTELLEN NIET OF MACTIGEN NIEMAND OM NAMENS HEN TE VERONDERSTELLEN, DAT ZE EEN VERPLICHTING HEBBEN OF AANSPRAKELIJKHEID HEBBEN MET BETREKKING TOT HET PRODUCT, DE ONDERDELEN, ACCESSORIES, ONDERHOUDSREPARATIES OF DEZE BEPERKTE GARANTIE.
- SEGWAY-PARTIJEN EN SEGWAY-DEALERS ZIJN NIET AANSPRAKELIJK VOOR VERLIES VAN GEBRUIK VAN EEN PRODUCT, DE ONDERDELEN, ACCESSOIRES OF VOOR ENIG ONGEMAK OF ANDER VERLIES OF SCHADE DAT KAN WORDEN VEROORZAAKT DOOR ENIG DEFECT IN EEN PRODUCT, ONDERDELEN, HAAR ACCESSOIRES, ONDERHOUDSREPARATIE OF VOOR ENIGE ANDERE INCIDENTELE OF GEVOLGSCHADE DIE U MOGELIJK HEBT GELEDEN ALS GEVOLG VAN EEN DEFECT IN EEN PRODUCT, DE ONDERDELEN, ACCESSOIRES OF ONDERHOUDSREPARATIES. SOMMIGE LANDEN STAAN DE UITSLUITING OF BEPERKING VAN INCIDENTELE OF GEVOLGSCHADE NIET TOE, DUS DE BOVENSTAANDE BEPERKING OF UITSLUITING IS MOGELIJK NIET OP U VAN TOEPASSING, VOOR ZOVER HET DOOR DE GELDENDE WETGEVING IS NIET TOEGESTAAN.
- IN GEEN GEVAL GAAT DE TOTALE EN GEZAMENLIJKE AANSPRAKELIJKHEID VAN SEGWAY-PARTIJEN EN SEGWAY-DEALERS, VOOR ALLE CLAIMS VOLGENS ENIGE GELDENDE WETGEVING OF THEORIE, GEZAMENLIJK OF AZONDERLIJK VOORTVLOEIEND UIT OF IN VERBAND MET DE AANKOOP VAN HET PRODUCT, HET GEBRUIK VAN HET PRODUCT, EEN INBREUK OP HET CONTRACT, ONRECHTMATIGHEID (MET INBEGRIJ VAN NALATIGHEID) OF ANDERSZINS, VERDER DAN DE PLICHT OM EEN DEFECT PRODUCT TE REPAREREN OF TE VERVANGEN, VERDER ONDERHEVIG AAN DE ENIGE EN EXCLUSIEVE DISCRETIE VAN SEGWAY. IN GEEN GEVAL ZULLEN SEGWAY-PARTIJEN EN SEGWAY-DEALERS AANSPRAKELIJK ZIJN TEGENOVER PERSONEN VOOR GEVOLG, INDIRECTE, INCIDENTELE, SPECIALE, VOORBEELDIGE, PUNITIEVE OF VERERGERDE SCHADE. VOORTVLOEIEND UIT OF MET BETREKKING TOT EN/OF IN VERBAND MET DE AANKOOP VAN HET PRODUCT, ELKE SCHENDING VAN DEZE OVEREENKOMST OF DE PLICHTEN VAN DE FABRIKANT, ONGEACHT (A) OF DERGELIJKE SCHADES TE VOORZIEN WAREN, (B) OF SEGWAY OF ANDERE SEGWAY-PARTIJEN OP DE HOOGTE WERDEN GEBRACHT VAN DE MOGELIJKHEID OP DERGELIJKE SCHADE, EN , ONRECHTMATIGE OF ANDERE WAAROP DE CLAIM IS GEBASEERD, TENZIJ DERGELIJKE BEPERKINGEN EN UITSLUITINGEN ONDER DE GELDENDE WETGEVING VERBODEN ZIJN. DE BOVENSTAANDE BEPERKINGEN OF UITSLUITINGEN GELDEN ZELFS INDIEN DE RECHTSMIDDELEN VAN EEN BENADEELDE KLANT OF EEN ANDER PERSOON (DIE HET RECHT KAN HEBBEN OF KAN CLAIMEN OP GROND VAN DEZE OVEREENKOMST VOLGENS DE WET VAN RECHTSWEGE) ONDER DEZE HUN ESSENTIËLE DOELSTELLING NIET KUNNEN BEREIKEN. IN HET GEVAL DAT SOMMIGE LANDEN DE UITSLUITING OF BEPERKING VAN BEPAALDE OF ALLE VOORGAANDE SCHADE NIET TOESTAAN, ZODAT DERGELIJKE BEPERKINGEN OF UITSLUITINGEN WETTELIJK NIET TOEGESTAAN ZIJN, ZULLEN ZE MOGELIJK NIET OP U VAN TOEPASSING ZIJN. SOMMIGE LANDEN STAAN DE UITSLUITING OF BEPERKING VAN INCIDENTELE OF GEVOLGSCHADE NIET TOE, VOOR ZOVER DERGELIJKE BEPERKINGEN OF UITSLUITINGEN NIET WETTELIJK ZIJN VERBODEN, IS DE BOVENSTAANDE BEPERKING OF UITSLUITING MOGELIJK NIET OP U VAN TOEPASSING.

- Voor zover toegestaan door de geldende wetgeving, WIJZEN SEGWAY-PARTIJEN en SEGWAY-DEALERS hierbij elke aansprakelijkheid af en zijn daardoor niet verantwoordelijk voor enige schade, met inbegrip van maar niet beperkt tot overlijden, lichamelijk letsel of schade aan eigendommen, die voortvloeit uit of verband houdt met gedrag (inclusief wangedrag), actie, inactiviteit, handelen (en niet handelen), verzuim of nalatigheid door een erkende of niet-erkende dealer, verdeler, groothandelaar, detailhandelaar, serviceprovider of derde partij die betrokken is bij de verdeling van het product of de diensten daarvoor . Voor zover toegestaan door de geldende wetgeving, zijn de expliciete verklaringen en garanties, indien van toepassing, die hierin worden verstrekt, de enige garanties en verklaringen die door SEGWAY-PARTIJEN aan u, een consument en/of eindgebruiker worden verstrekt en SEGWAY-PARTIJEN zijn niet verantwoordelijk voor enige andere garantie en/of verklaring die kan worden gegeven en/of verstrekt door een andere persoon, tenzij SEGWAY-PARTIJEN schriftelijke en uitdrukkelijk toestemming heeft gegeven voor het geven van een dergelijke aanvullende garantie en/of verklaring aan de consument of eindgebruiker.

6. Claims, geschillenbeslechting en arbitrage

DE HIERIN BEVATTE CLAUSULES ZIJN JURIDISCH BINDEND TUSSEN U (EEN INDIVIDU OF ENTITEIT), EN SEGWAY DISCOVERY BV, HAAR GELIEERDE ONDERNEMINGEN, SEGWAY-PARTIJEN EN SEGWAY-DEALERS. DE HIERIN BEVATTE CLAUSULES KUNNEN UW RECHTEN BEÏNVLOEDEN EN HET IS UW VERANTWOORDELIJKHEID OM DE VOLGENDE DELEN TE LEZEN. U KUNT BINNEN 30 KALENDERDAGEN NA DE EERSTE AANKOOP VAN DE OVEREENKOMST AFZOEN DOOR EEN E-MAIL TE STUREN NAAR OPTOUT@SEGWAY.COM EN DE TOEPASSELIJKE INFORMATIE TE VERSTREKKEN. VOOR MEER DETAILS, ZIE DEEL 6.2.

6.1 Bindende arbitrage

Segway-partijen, Segway-dealers en u gaan akkoord dat elk geschil, onenigheid of claim die voortvloeit uit, gerelateerd aan of verband houdt met deze overeenkomst, de beperkte garantie, de verkoop, de staat of de prestaties van het product, ongeacht of deze zijn gebaseerd op een contract, onrechtmatige daad, fraude , verkeerde voorstelling van zaken of enige andere juridische theorie of in billijkheid, inclusief maar niet beperkt tot claims voor overlijden, letsel of schade aan eigendommen, worden beheerst door en geïnterpreteerd in overeenstemming met de wetten van Nederland, met uitsluiting van de conflicten door wettelijke bepalingen en uiteindelijk opgelost door de Internationale Kamer van Koophandel (ICC) onder de 2021 ICC-arbitrageregels (ICC-regels) die voorlopig van kracht zijn, welke regels geacht worden door verwijzing in deze clausule te zijn opgenomen. Verder komen de partijen overeen dat:

- De zetel van de arbitrage Amsterdam, Nederland is.
- Het Tribunaal bestaat uit 3 bemiddelaars.
- De taal van de arbitrage is Engels.

Deel 6 “Claims, geschillenbeslechting en verplichte arbitrage” blijft van kracht na beëindiging of afloop van deze overeenkomst en/of beperkte garantie of in het geval dat deze overeenkomst en/of de beperkte garantie, volledig of gedeeltelijk als nietig, vermijdbaar, ongeldig of niet-afdwingbaar wordt beschouwd, door een bevoegde arbitrage-instelling met feitelijke bevoegdheid en jurisdictie over deze kwestie.

6.2 Uitschrijven

U KUNT ZICH UIT DEZE GESCHILLENBESLISSING PROCEDURE UITSCHRIJVEN DOOR NIET LATER DAN DERTIG (30) KALENDERDAGEN NA DE DATUM VAN DE AANKOOP VAN HET PRODUCT, ALS DE EERSTE CONSUMENT-KOPER AAN SEGWAY of SEGWAY-PARTIJEN EEN KENNISGEVING OVER TE MAKEN. OM U UIT TE SCHRIJVEN, MOET U EEN KENNISGEVING PER E-MAIL VERSTUREN NAAR OPTOUT@SEGWAY.COM, MET DE ONDERWERPREGEL: “ARBITRAGE OPT-OUT.” DE OPT-OUT-KENNISGEVING PER E-MAIL MOET (A) UW NAAM, E-MAILADRES, POASTADRES EN TELEFOONNUMMER BEVATTEN; (B) DE DATUM WAAROP HET PRODUCT WERD GEKOCHT; (C) DE NAAM OF HET NUMMER VAN HET MODEL VAN HET PRODUCT; EN (D) HET SERIENUMMER. U KUNT OOK UITSCHRIJVEN DOOR EEN BRIEF MET UW WENST OM UIT TE SCHRIJVEN TE STUREN NAAR SEGWAY, Dynamostraat 7, 1014BN, Amsterdam, Nederland. GECERTIFICEERDE POST BINNEN DERTIG (30) KALENDERDAGEN VANAF DE DATUM VAN AANKOOP VAN HET PRODUCT DOOR DE AANKOOP VAN EERSTE EINDGEBRUIKER BIJ DE SEGWAY-DEALER. DE OPT-OUT-BRIEF MOET DE VOLGENDE INFORMATIE BEVATTEN: (A) UW NAAM, E-MAILADRES, POSTADRES EN TELEFOONNUMMER; (B) DE DATUM WAAROP HET PRODUCT WERD GEKOCHT; (C) DE NAAM OF HET NUMMER VAN HET MODEL VAN HET PRODUCT; (D) HET SERIENUMMER; EN (E) EEN VERKLARING ALS VOLGT: DE BOVENSTAANDE CONSUMENT KIEST OM UIT TE SCHRIJVEN OP DE GESCHILLENBESLECHTING PROCEDURE ZOALS GELEVERD DOOR DEZE BEPERKTE GARANTIE. DIT ZIJN DE ENIGE TWEE EFFECTIEVE MANIEREN OM UIT TE SCHRIJVEN OP DEZE PROCEDURE VOOR GESCHILLENBESLECHTING. DE KEUZE OM UIT TE SCHRIJVEN OP DEZE PROCEDURE VOOR GESCHILLENBESLECHTING, ZAL OP GEEN ENKELE WIJZE VAN INVLOED ZIJN OP DE DEKKING VAN DE BEPERKTE GARANTIE EN U BLIJFT GENIETEN VAN DE VOORDELEN VAN DE BEPERKTE GARANTIE.

6.3 Taal

Deze Overeenkomst kan in verschillende talen worden vertaald. In het geval van een conflict prevaleert en is de Engelse versie geldig.

5 VERTALING VAN DE ORIGINELE CONFORMITEITSVERKLARING

Fabrikant

Naam: Willand (Beijing) Technology Co., LTD.

Adres: Room 203, A1 Bldg. Zhongguancun Dongsheng Technology Park (Northern Territory), No. 66, Xixiaokou Rd, Haidian Dist., Beijing, China.

Erkende vertegenwoordiger

Naam: Segway Discovery B.V.

Adres: Dynamostraat 7, 1014BN Amsterdam, Nederland

Voorwerp van de verklaring

Generieke benaming: Robotmaaier

Productnaam: Navimow

Type/model: H500E/H800E/H1500E/H3000E

Serienummer: S2RA x yyyy x yyyy/S2RC x yyyy x yyyy/S2RE x yyyy x yyyy/S2RT x yyyy x yyyy

('x' staat voor een willekeurige letter van A-Z behalve O en I, 'y' staat voor een willekeurige letter van A-Z behalve O en I of een willekeurig nummer van 0-9)

Deze conformiteitsverklaring wordt verstrekt onder volledige verantwoordelijkheid van de fabrikant.

Het hierboven beschreven voorwerp is conform de volgende EU-richtlijnen:

- Richtlijn voor radioapparatuur (2014/53/EU)
- Machinerichtlijn (2006/42/EG)
- RoHS-richtlijn (2011/65/EU) en wijzigingsrichtlijn ((EU)2015/863)

De conformiteit met deze richtlijnen is voor dit product beoordeeld door aan te tonen dat het voldoet aan de volgende geharmoniseerde normen en/of technische specificaties:

EN 60335-1:2012+A11:2014+AC:2014+A13:2017+A1:2019+A14:2019+A2:2019

EN 50636-2-107:2015+A1:2018+A2:2020

EN IEC 61000-3-2:2019+A1:2021

EN 61000-3-3:2013+A1:2019

EN IEC 55014-1:2021

EN IEC 55014-2:2021

ETSI EN 300 220-1 V3.1.1

ETSI EN 300 220-2 V3.1.1

ETSI EN 300 328 V2.2.2

ETSI EN 303 413 V1.1.1

EN 50665:2017

EN 62133-2:2017

ETSI EN 301 908-1 V13.1.1

ETSI EN 301 908-13 V13.1.1

ETSI EN 301 489-1 V2.2.3

ETSI EN 301 489 - 3 V2.2.0

ETSI EN 301 489-17 V3.2.4

ETSI EN 301 489-19 V2.1.1

ETSI EN 301 489-52 V1.2.1

ETSI EN 301 511 V12.5.1

EN IEC 62311:2020

EN IEC 63000:2018

Ondertekend voor en namens: Willand (Beijing) Technology Co., LTD.

Plaats: Changzhou, China

Naam: Crystal Zhuang

Handtekening: Crystal Zhuang

Datum: 22-02-2022

Functie: Certificeringsmanager

6 Certificeringen

European Union Compliance Statement

Informatie over de verwijdering van afgedankte elektrische en elektronische apparatuur voor gebruikers



Dit symbool op het product of op de verpakking geeft aan dat gebruikte elektrische en elektronische producten niet samen met ongesorteerd huishoudelijk afval mogen worden weggegooid. Voor een juiste verwerking is het uw verantwoordelijkheid om uw afgedankte apparatuur te verwijderen door deze in te leveren bij aangewezen inzamelpunten.

Door dit product op de juiste wijze te verwijderen, spaart u waardevolle hulpbronnen en voorkomt u mogelijke negatieve gevolgen voor de volksgezondheid en het milieu, die zich zouden kunnen voordoen in geval van onjuiste afvalverwerking.

Als u uw gebruikte apparaat wilt retourneren, gebruik dan de retour- en inzamelsystemen of neem contact op met de winkel waar het product is gekocht (dit is gratis). Neem contact op met uw gemeente voor meer informatie over het dichtstbijzijnde aangewezen inzamelpunt.

Bij onjuiste verwijdering van dit afval kunnen sancties volgen, in overeenstemming met uw nationale wetgeving.

Informatie over de verwijdering van gebruikte batterijen voor gebruikers



Dit symbool geeft aan dat batterijen en accu's aan het einde van hun levensduur niet samen met ongesorteerd huishoudelijk afval mogen worden weggegooid. Uw medewerking hieraan is een belangrijk onderdeel van de inspanningen om de invloed van batterijen en accu's op het milieu en de volksgezondheid tot een minimum te beperken. Voor correcte recycling kunt u dit product of de batterijen of accu's die het bevat gratis inleveren bij uw leverancier of bij een aangewezen inzamelpunt.

Door dit product op de juiste wijze te verwijderen, spaart u waardevolle hulpbronnen en voorkomt u mogelijke negatieve gevolgen voor de volksgezondheid en het milieu, die zich zouden kunnen voordoen in geval van onjuiste afvalverwerking.

Bij onjuiste verwijdering van dit afval kunnen sancties volgen, in overeenstemming met uw nationale wetgeving.

er zijn afzonderlijke inzamelingsystemen voor gebruikte batterijen en accu's.

Gooi batterijen en accu's op de juiste manier weg door ze in te leveren bij het afvalinzamelings-/recyclingcentrum in uw gemeente.

Richtlijn inzake de beperking van het gebruik van bepaalde gevaarlijke stoffen (RoHS)

Willand (Beijing) Technology Co., LTD. verklaart hierbij dat het hele product, inclusief onderdelen (kabels, snoeren, enzovoort), voldoet aan de vereisten van de RoHS-richtlijn 2011/65/EU en de gedelegeerde wijzigingsrichtlijn (EU) 2015/863 van de Commissie inzake de beperking van het gebruik van bepaalde gevaarlijke stoffen in elektrische en elektronische apparatuur ('RoHS-herschikking' of 'RoHS 2.0').

Richtlijn voor radioapparatuur

Willand (Beijing) Technology Co., LTD. verklaart hierbij dat het in dit deel genoemde product voldoet aan de essentiële vereisten en andere relevante bepalingen van de richtlijn voor radioapparatuur 2014/53/EU.

Machinerichtlijn

Willand (Beijing) Technology Co., LTD. verklaart hierbij dat het in dit deel genoemde product voldoet aan de essentiële vereisten en andere relevante bepalingen van de machinerichtlijn 2006/42/EG.

Europese erkende vertegenwoordiger:



Segway Discovery B.V. Dynamostraat 7, 1014BN Amsterdam, Nederland.

Willand (Beijing) Technology Co., LTD. verklaart hierbij dat het product voldoet aan de essentiële vereisten en andere relevante bepalingen van de RoHS-richtlijn 2011/65/EU en de gedelegeerde wijzigingsrichtlijn (EU) 2015/863 van de Commissie, de richtlijn voor radioapparatuur 2014 /53/EU en de machinerichtlijn 2006/42/EG.

Bluetooth	Frequentieband(en)	2,4000-2,4835GHz
	Max. RF-vermogen	20mW

7 Neem contact met ons op

Fabrikant: Willand (Beijing) Technology Co., LTD.

Adres: Room 203, A1 Bldg. Zhongguancun Dongsheng Technology Park (Northern Territory), No. 66, Xixiaokou Rd, Haidian Dist., Beijing, China.

Neem contact met ons op als u problemen ondervindt met betrekking tot de bediening, het onderhoud en de veiligheid of fouten/storingen met uw maaier.

Europese erkende vertegenwoordiger: Segway Discovery B.V., Dynamostraat 7, 1014BN Amsterdam, Nederland.

Erkend vertegenwoordiger: Segway Discovery BV, Hogehilweg 8 - 6e verdieping, 1101CC Amsterdam, Nederland.

Website: navimow.segway.com

EN	Important Information	2
DE	Wichtige Informationen	20
FR	Informations importantes	36
IT	Informazioni importanti	52
NL	Belangrijke informatie	68
SV	Viktig information	84
FI	Tärkeitä tietoja	100
NO	Viktig informasjon	116
DA	Vigtig information	132

Innehållsförteckning

1 Säkerhetsvarningar	85
2 Delar och funktioner	88
3 Underhåll	90
4 Begränsad garanti	93
5 ÖVERSÄTTNING AV ORIGINAL FÖRSÄLJNING OM ÖVERENSSTÄMMELSE	97
6 Certifieringar	98
7 Kontakta oss	98
Översättning av originalinstruktionerna	

De fabrikant behoudt zich het recht voor om op elk moment wijzigingen aan het product aan te brengen, firmware-updates uit te brengen en deze handleiding bij te werken. Afbeeldingen van het product, de accessoires en de app-interface zijn alleen ter referentie. Het werkelijke product en de functies kunnen variëren. Ga naar navimow.segway.com voor de volledige **gebruikershandleiding** en de juridische verklaring.

Läs och förstå alla säkerhetsvarningar och underhållsmetoder före användning.
Kasta INTE denna bruksanvisning eftersom den är en permanent del av denna produkt.

1 Säkerhetsvarningar

VIKTIGT

LÄS NOGA FÖRE ANVÄNDNING

BEHÅLL SOM FRAMTIDA REFERENS

- 1) Se till att installera och använda Navimow ("gräsklipparen" i handboken) och laddningsstationen enligt instruktionerna. Gå till navimow.segway.com för den fullständiga användarhandboken och senaste användarmaterial.
- 2) Produkten kan användas både av konsumenter och för professionella ändamål. Om du använder gräsklipparen för andra ändamål än klippning kan det orsaka allvarliga skador. Läs och förstå alla varningar och försiktighetsåtgärder för att undvika skador. Var införstådd med att du kan minska risker genom att följa instruktionerna och varningarna i denna handbok, men du kan inte eliminera alla risker. Operatören eller användaren är ansvarig för olyckor eller faror som kan uppstå för andra personer på deras egendom.
- 3) Navimow har många inbyggda säkerhetssensorer, men det finns ändå säkerhetsrisker. Ställ in en klipptid när det inte finns personer eller husdjur på gräsmattan. Informera grannarna om risker för olyckor eller faror. När du använder gräsklipparen på en offentlig gräsmatta, eller när din gräsmatta är öppen för din granne eller gata ska du skydda eller stänga av gräsmattan eller sätta upp en varningsskylt runt arbetsområdet med texten: VARNING! Självgående gräsklippare! Håll avstånd till maskinen! Övervaka barn!
- 4) Modifiera INTE gräsklipparen själv. Modifieringar kan störa gräsklipparens funktioner, resultera i allvarlig personskada och/eller skada på egendom, eller upphäva den begränsade garantin. Använd endast delar och tillbehör som godkänts av Segway.
- 5) Tillverkaren rekommenderar att användaren är 18–70 år. Var noga med att skaffa nödvändig utbildning innan du använder maskinen.

⚠ VARNING

Låt aldrig barn, personer med nedsatt fysisk, sensorisk eller mental förmåga eller brist på erfarenhet och kunskap eller personer som inte känner till dessa instruktioner använda maskinen. Lokala bestämmelser kan begränsa operatörens ålder.

Innan du klipper:

- Kontrollera regelbundet att klipparens alla delar fungerar normalt.
- För bästa klippresultat rekommenderas att klippa i torrt väder. Att klippa i regn kan göra att gräset fastnar på produkten och gräsklipparen kan glida. Klipp INTE i dåligt väder, som kraftigt regn, åska eller snö.
- Inspektera regelbundet området där maskinen ska användas och ta bort alla stenar, pinnar, vajrar och andra främmande föremål. Den begränsade garantin täcker inte skador som orsakas av föremål som lämnats kvar på gräsmattan.
- För att undvika eventuella skador ska du se till att gräsklipparen är minst 1 m (3 fot) från eventuella sprinklerhuvuden. Gräsklippare och sprinkler ska INTE vara igång samtidigt. Schemalägg klipparen så att den är igång vid en annan tidpunkt än sprinklers.
- Låt ALDRIG barn röra vid strömkällan, laddningsstationen, bladen, batterifacket eller några delar med öppningar, som hjulen.

⚠ VARNING

Använd aldrig maskinen eller dess kringutrustning med defekta skydd eller om kabeln är skadad eller sliten.

Vid klippning:

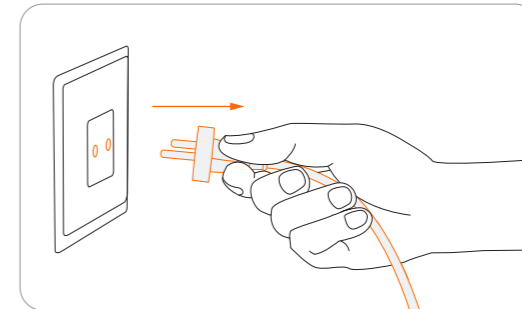
- Håll dig borta från de roterande bladen! Stoppa INTE in händer eller fötter under eller nära de roterande bladen.
- Se upp för föremål som kastas iväg! Håll ett säkert avstånd till gräsklipparen när du använder den.
- Lämna INTE maskinen utan uppsikt om du vet att det finns husdjur, barn eller andra personer i närheten.
- Sträck dig INTE för långt. Håll balansen hela tiden och se till att alltid ha ordentligt fotfäste, speciellt i lutningar. Gå, spring aldrig, när du använder maskinen eller dess kringutrustning.

⚠ VARNING

- Låt INTE barn vara i närheten av eller leka med maskinen när den används.
- Lyft INTE gräsklipparen när den används. ÅK INTE på gräsklipparen.
- Klipp INTE områden med lutningar brantare än den maximala lutningen i arbetsområdet (45 %), liksom vid gränsen (10 %).
- Om gräsklipparen avger onormalt ljud eller ett larm hörs ska du omedelbart trycka på STOP-knappen.
- Vid onormala vibrationer ska du stänga av gräsklipparen, placera den på plan mark, vänta i cirka 30 sekunder och sedan starta den igen. Kontakta auktoriserad kundservice om problemet kvarstår.
- Vidrör INTE farliga delar som är i rörelse innan de har stoppat helt.

Säker användning:

- Använd INTE gräsklipparen utanför temperaturgränserna: -10–50 °C (14–122 °F), eftersom låga/höga temperaturer kan försämra klipparens prestanda och till och med leda till olyckor.
- Placera INTE något på gräsklipparen eller laddningsstationen.
- Vi rekommenderar att en vuxen regelbundet utför underhåll av gräsklipparen (se *Underhåll*).
- Kontrollera regelbundet varningsanordningarna för att säkerställa att de är effektiva. Dessa enheter inkluderar summer, LED-lampan på laddningsstationen och bakgrundsbelysningen på gräsklipparen.
- Innan du laddar klipparen ska du läsa *Så här laddar du* i Användarhandbok. Felaktig användning kan orsaka elektrisk stöt, överhettning eller läckage av frätande vätska.
- Om kabeln till strömkällan eller förlängningskabeln skadas eller fastnar under användning, koppla bort strömkällan från eluttag och åtgärda sedan kabeln. För att undvika fara ska du dra i kontakten i stället för i kabeln när du kopplar från strömkällan från eluttaget. Kontakta kundservice och låt en professionell tekniker reparera eller byta ut kabeln.



Symboler och dekaler

Studera symboler och etiketter på produkten noga och förstå deras betydelse:



⚠ VARNING – Läs bruksanvisningen innan du använder maskinen.



⚠ VARNING – Vidrör inte roterande blad.



⚠ VARNING – Håll säkert avstånd till maskinen under användning.



⚠ VARNING – Åk inte på maskinen.



⚠ Använd inaktiveringsanordningen innan du arbetar på eller lyfter maskinen*.
*Se till att klipparen är låst med PIN-koden innan du lyfter eller använder den.



⚠ VARNING – Det är inte tillåtet att avyttra denna produkt som vanligt hushållsavfall. Se till att produkten återvinns enligt lokala lagar och regleringar.



Denna produkt överensstämmer med tillämpliga EG-direktiv.



Denna produkt överensstämmer med regleringarna för begränsning av farliga ämnen.



Läs instruktionerna innan du laddar produkten.



Denna produkt överensstämmer med tillämplig brittisk lagstiftning.



Polaritet i laddningsporten



Klass II-apparat



SMPS-enhet som innehåller en kortslutningssäker säkerhetsisolerande transformator (inbyggd eller icke-inbyggd)



SMPS (switchande nätaggregat)



DoE nivå VI-effektivitet



Maximal användningshöjd är 5 000 m



IP55/IP66

ta: 40°C

Maximal användningstemperatur är 40°C



Likström



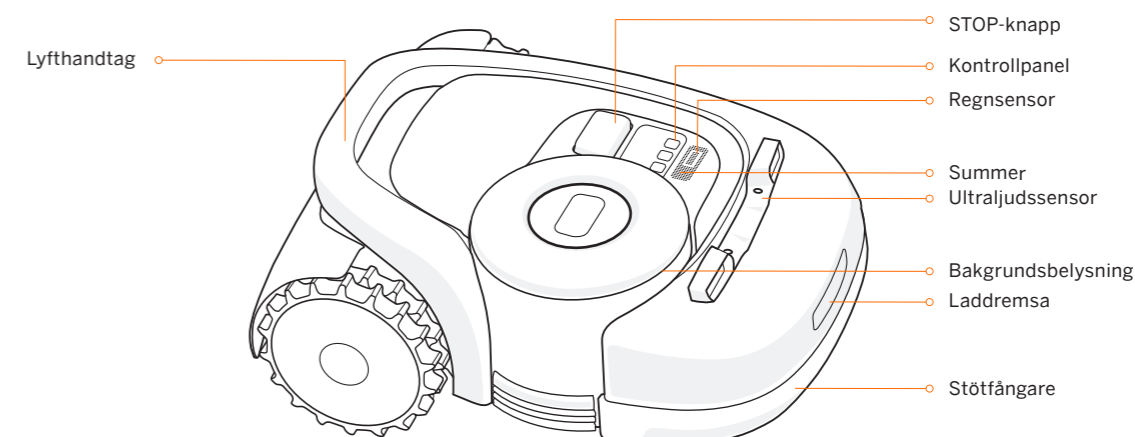
Växelström



Klass III apparat

2 Delar och funktioner

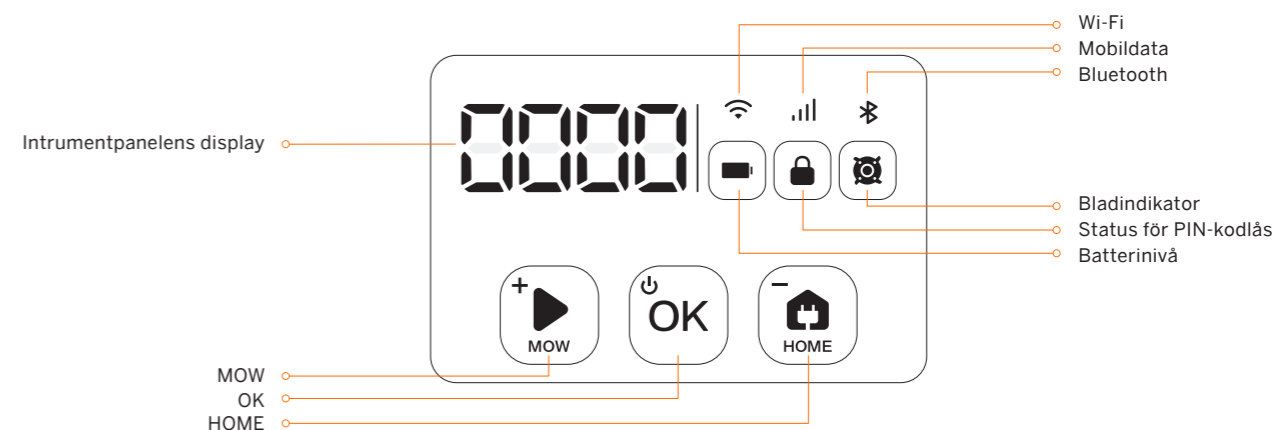
Sedd uppifrån



Bakgrundsbelysning: Om en avvikelse uppstår blinkar LED-ringen rött tillsammans med en ringande summer.

Ultraljudssensor: Vissa modeller är utrustade med ultraljudssensor. Sensorn säljs också separat och kan installeras på alla Navimow-modeller. Kontakta din återförsäljare för mer information.

Kontrollpanel



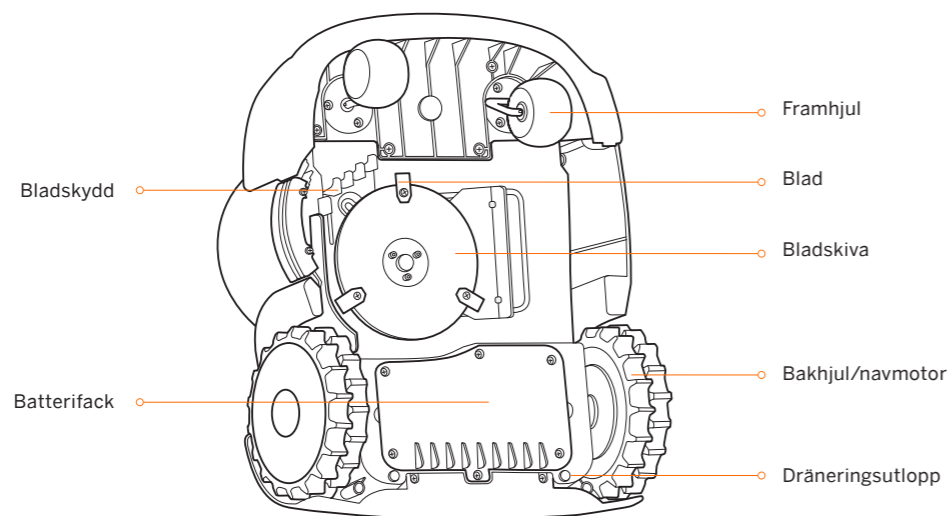
Batterinivå: Färgen anger batterinivån: 50%–100% fast grön, 20%–49% % fast gul, 5%–19% fast röd, ≤ 5 % blinkar rött. När batteriikonen lyser röd måste gräsklipparen laddas.

Instrumentpanelens display: Visar procentandel klippt, PIN-kod, felkod o.s.v.

PIN-kod: Innan du manuellt använder gräsklipparen måste du ange PIN-koden. Standardkoden är 0000 och kan ändras via Navimow-appen ("appen" i denna handbok). Tryck på MOW/HOME för att öka/minska siffran och tryck på OK för att bekräfta koden.

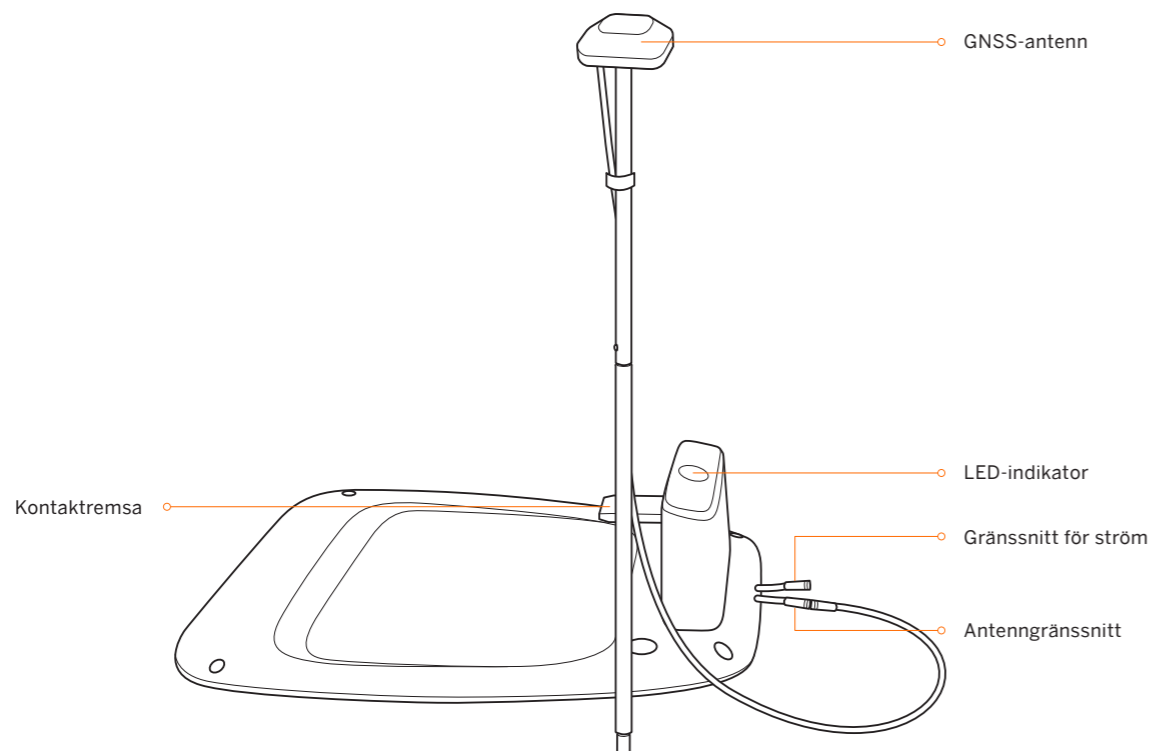
Grundläggande funktioner

- Ström på: Tryck på OK.
- Ström av: Håll ned OK i 4 sekunder eller stäng av via appen. Klipparen kan inte stängas av när den är i laddningsstationen.
- Börja klippa: Tryck på MOW och sedan på OK.
- Stoppa klipparen: Tryck på STOP.
- Gräsklipparen återvänder till laddningsstationen: Tryck på HOME och sedan på OK.



Dräneringsutlopp: Om gräsklipparen faller i vatten, ta upp den omedelbart och lägg gräsklipparen med höger sida upp för att dränera den. Sänk aldrig ner gräsklipparen i vatten, komponenterna kan skadas och den begränsade garantin upphävs.

Laddningsstation och GNSS-antennen



OBS! Om GNSS-antennen är täckt, vilket resulterar i dålig signal och felaktig positionering, kan du köpa en antennförlängningssats och installera enligt instruktionerna.

3 Underhåll

För att uppnå bättre klippresultat och öka livslängden ska du att hålla klipparen ren och bladen i gott skick. Inspektion och underhåll ska utföras veckovis av en vuxen. Eventuella skadade eller slitna delar bör bytas ut. **Utför INTE underhåll när du bär öppna sandaler eller är barfota. Bär alltid långa byxor och arbetsskor när du servar gräsklipparen.**

1) Rengöring

Använd en mjuk borste eller trasa för rengöring. Rengör INTE med alkohol, bensin, aceton eller andra frätande/flyktiga lösningsmedel. Sådana ämnen kan skada gräsklipparens utseende och inre struktur.

För korrekt dockning ska du regelbundet inspektera och rengöra laddningsstationen från skräp och lera. Se till att alla anslutningsdelar på laddningsstationen, förlängningskabeln och strömkällan inte är blockerade.

A. Chassi och bladskiva

Använd en borste eller en vattenslang för att rengöra chassit och bladskivan om de är smutsiga. ANVÄND INTE en högtryckstvätt. Se samtidigt till att bladskivan roterar fritt och att bladen kan svänga fritt.

FÖRSIKTIGT: Högtrycksvatten kan läcka in i tätningarna och skada elektroniska och mekaniska delar.

B. Hjul

Gräs på hjulen kan påverka hur väl gräsklipparen fungerar när den klättrar uppför sluttningar. Ta bort lera eller andra föremål som fastnat mellan hjulen för ett bra fäste.

C. Regnsensor

Kontrollera en gång i veckan och se till att regnsensorn inte är täckt av lera, gräs eller andra föremål. Du kan antingen tvätta den eller rengöra den med en mjuk borste.

⚠ VARNING

- Kontrollera att gräsklipparen är avstängd innan du rengör den.
- När gräsklipparen är upp och ner måste den vara avstängd.

2) Byta ut bladen

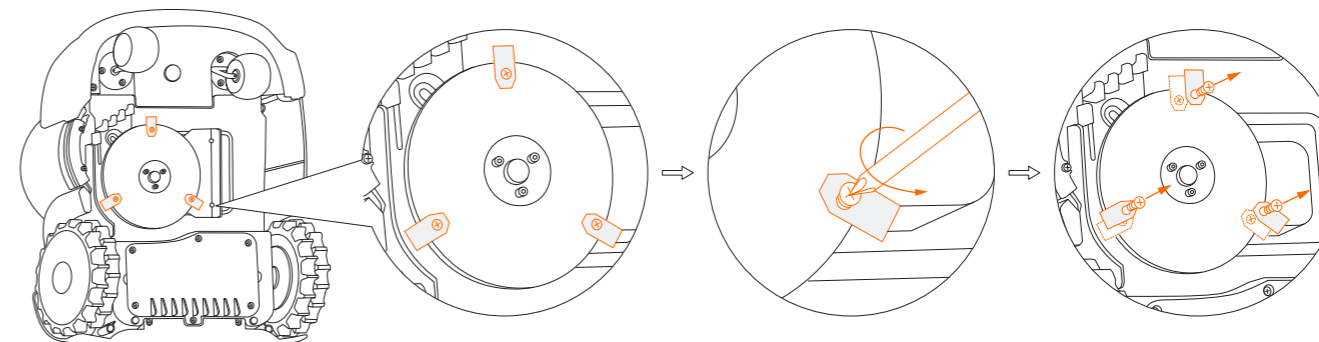
Om gräsklipparen används regelbundet rekommenderas det att byta blad och skruvar var 1–2 månad för att säkerställa säkerhet och fullgott klippresultat. Byt ut alla tre bladen och skruvarna samtidigt för att ha ett säkert klippsystem.

⚠ VARNING

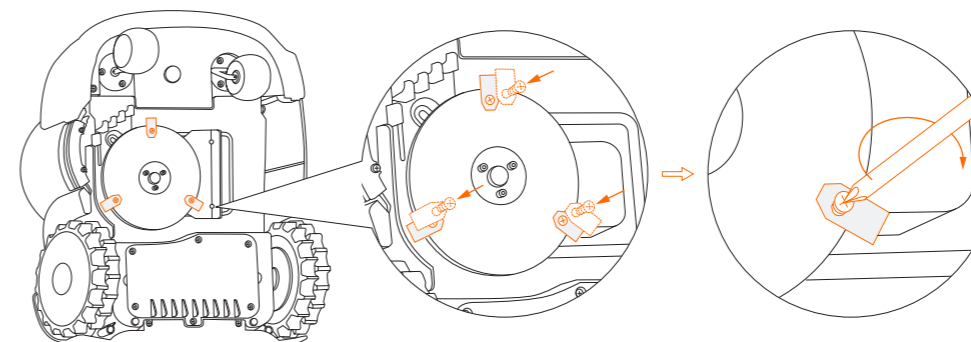
- Använd kraftiga handskar när du inspekterar eller servar bladen.
- Använd endast rätt skruvar och originalblad som godkänts av Segway. Bladmodell: HA002E.
- Återanvänd INTE skruvarna. Om du gör det kan det orsaka allvarliga skador.

Så här byter du blad:

- 1 Stäng av gräsklipparen.
- 2 Placera gräsklipparen upp och ned på en mjuk och ren yta för att undvika repor.
- 3 Lossa de tre skruvarna med en skruvmejsel.
- 4 Ta bort skruvarna och bladen.



- 5 Dra åt de nya bladen och skruvarna (Moment: 1 Nm). Se till att bladen roterar fritt.



3) Transport

Använd originalförpackningen för att skydda gräsklipparen under längre transporter. Stäng av gräsklipparen innan du lyfter, flyttar eller på annat sätt transporterar produkten. Var försiktig och undvik stor kraft, som kast och kraftigt tryck. Plocka aldrig upp och bär aldrig gräsklipparen när motorn är igång.

Så här flyttar eller lyfter du på rätt sätt:

Bär gräsklipparen i handtaget med bladskivan vänd bort från kroppen.



VARNING:

För att undvika skador på gräsklipparen och/eller laddningsstationen ska du INTE lyfta produkten när den är i laddningsstationen.

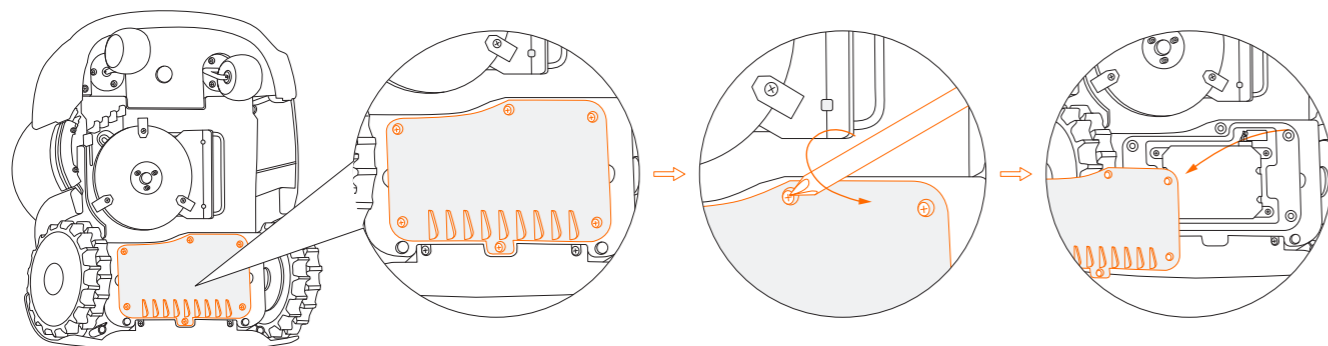
4) Batteri

Ladda batteriet helt före förvaring för att undvika urladdning och skador på elektriska komponenter. Ladda gräsklipparen var 120:e dag under långvarig förvaring. Batteriskador orsakade av urladdning täcks inte av den begränsade garantin. Använd eller förvara INTE batteriet under extrema temperaturförhållanden, dvs. över 50 °C (122 °F) eller under -20 °C (-4 °F).

OBS! Batteriets livslängd beror på hur ofta produkten används och den totala användningstiden. Om drifttiden är kortare än vanligt per full laddning eller gräsmattan inte klipps ordentligt bör du överväga att byta ut batteriet.

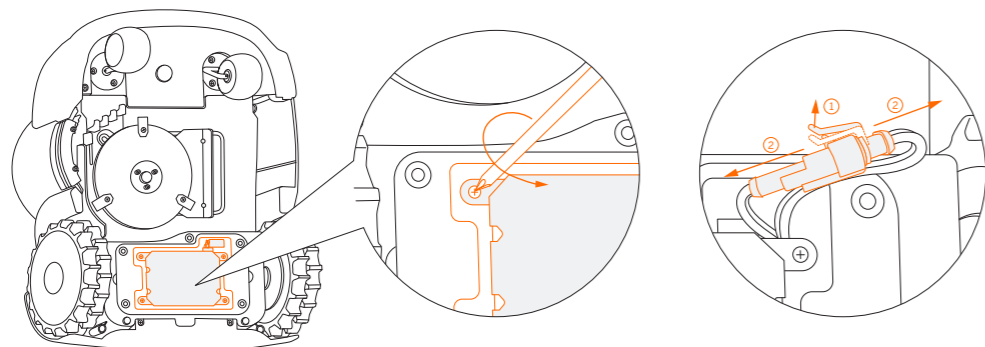
Så här byter du batteri:

- 1 Stäng av gräsklipparen.
- 2 Placera gräsklipparen upp och ned på en mjuk och ren yta.
- 3 Lossa de sex skruvarna på batterifacket med en skruvmejsel.



4 Lossa de fyra skruvarna i batterifacket.

5 Koppla från de två kontaktarna.



6 Ta ut batteriet och byt ut det mot det nya.

7 Anslut kontaktarna och dra åt alla skruvar.

VARNING

- Använd endast originalbatteriet eller ett av samma modell som anges av Segway. Varje gräsklippare innehåller ett batteri.
- Beroende på den specifika klipparmodellen är batteriets nominella kapacitet 5 200 mAh, 7 800 mAh eller 10 400 mAh.
- Använd inte batterier som inte är uppladdningsbara. Använd endast den löstagbara enhet som medföljer apparaten för att ladda batteriet. För Europeiska unionen: Använd endast med NBW32D002D5N – EU-laddningsenhet. För Storbritannien: använd endast med NBW32D002D5N – UK laddningsenhet.
- Demontera eller punktera INTE batterihöljet. Håll borta från metallföremål för att förhindra kortslutning. Håll borta från eld, värme och direkt solljus.
- För information om batterier och elavfall kan du kontakta din avfallshanterings tjänst, ditt lokala eller regionala avfallshanteringskontor eller din försäljningsplats.
- Batteriet innehåller elektrolyter. Om elektrolytläckage kommer i kontakt med huden, tvätta genast med tvål och vatten. Sök medicinsk hjälp vid ögonkontakt och skölj omedelbart ögonen med mycket vatten i minst 15 minuter utan att gnugga.

5) Strömkälla

- Koppla bort strömkällan:
 - Innan du rensar en blockering
 - Innan du kontrollerar, rengör eller arbetar på maskinen
 - Efter att ha stött mot ett främmande föremål och behöver inspektera maskinen för skador.
- Undersök regelbundet kabeln, kontakten, höljet och andra delar. Avbryt omedelbart användning om det finns skador eller tecken på slitage.

VARNING

- Använd INTE en skadad strömkälla. Om strömkabeln är skadad måste den bytas ut av tillverkaren, dess serviceagent eller liknande utbildade personer för att undvika risker. Om förlängningskabeln är defekt ska du byta ut den mot den 10 meter långa kabel som godkänts av Segway.
- Anslut INTE en skadad kabel till strömkällan eller rör vid en skadad kabel eller förlängningskabel innan den kopplats bort från eluttaget. Skadade kablar kan leda till kontakt med spänningsförande delar.
- Använd INTE strömkällan med någon annan produkt eller annat batteri, det finns risk för personskador, brand eller elchock. Produktsäkerhet kan inte garanteras med annat batteri än originalbatteri.
- Ladda INTE ett batteri som läcker.
- Håll förlängningskabeln borta från rörliga farliga delar för att undvika skador på kablarna som kan leda till kontakt med spänningsförande delar.

Rekommendation

Anslut enbart gräsklipparen och/eller dess kringutrustning till en strömkrets som skyddas av jordfelsbrytare (RCD) och som löser ut vid högst 30 mA.

6) Förvaring

- Stäng av gräsklipparen före förvaring och ladda den fullt för att undvika urladdning, vilket kan orsaka permanenta skador.
- Förvara på sval och torr plats inomhus. Exponering för solljus och extrema temperaturer (både varmt och kallt) kommer att påskynda åldrandet av komponenterna och kan skada batteriet permanent.
- Håll gräsklipparen, laddningsstationen och strömkällan borta från värmekällor (som spisar, värmare osv.) och kemikalier. Skydda strömkällan från fukt och förvara den på en väl ventilerad plats.

VARNING

När det finns risk för åska, koppla bort strömkällan från eluttag. Koppla bort alla kablar och ledningar som ansluts till laddningsstationen. Anslut igen när det inte längre finns risk för åska.

Vinterförvaring

- Gräsklipparen
Rengör gräsklipparen noggrant före förvaring. Kontrollera komponenterna som utsätts för slitage, t.ex. bladen. Reparera eller byt ut dem om de är i dåligt skick. Förvara gräsklipparen på en torr och frostfri plats stående på alla hjul, helst i originalförpackningen.
- Laddningsstationen
Koppla bort strömkällan från eluttaget och koppla bort laddningsstationen. Ta laddningsstationen inomhus och håll den borta från direkt solljus.

7) Återvinning och avyttring

Behandla INTE denna produkt som hushållsavfall. För återvinningsinformation ska kontakta din lokala avfallstjänst, din kommun eller din butik.

⚠ VARNING

Avyttra INTE denna produkt som landfyllning, genom förbränning eller genom att kasta med hushållsavfall. Fara eller allvarliga skador kan uppstå på grund av de elektriska komponenterna.

8) Övrigt

- Håll alla skruvar, muttrar och bultar åtdragna för att säkerställa normal och säker användning.
- Däck som medföljer produkten ska monteras på hjulen av en utbildad reparatör. Att ta bort hjulen är komplicerat och felaktig montering kan leda till instabilitet och fel.
- För att säkerställa ett bra grepp på underlaget ska drivhjulen (bakhjulen) hållas rena genom att ta bort lera med en borste.
- Chassifacket bakom stötfångaren får ENDAST öppnas och tätas av auktoriserad servicetekniker. Eget servicearbete kan upphäva den begränsade garantin.

OBS! FÖRSÄKRING

DINA FÖRSÄKRINGAR KANSKE INTE OMFATTAR TÄCKNING FÖR OLYCKOR SOM INVOLVERAR DENNA PRODUKT. FÖR ATT AVGÖRA OM TÄCKNING TILLHANDAHÅLLS SKA DU KONTAKTA DITT FÖRSÄKRINGSBOLAG ELLER OMBUD.

4 Begränsad garanti

Avtal om begränsad garanti och skiljedom (EMEA)

OBS! LÄS IGENOM DENNA BEGRÄNSADE GARANTI OCH AVTALET OM SKILJEDOM. BEHÅLL DETTA AVTAL SOM FRAMTIDA REFERENS. DETTA AVTAL INNEHÅLLER BEGRÄNSADE GARANTIPARAGRAFER FÖR KONSUMENTER I EUROPA, MELLANÖSTEN OCH AFRIKA ("EMEA") OCH SKILJEDOMSPARAGRAFER GÄLLANDE NAVIMOW ("PRODUKTEN") OCH NÅGON ELLER ALLA TRANSAKTIONER OCH ANSPRÅK RELATERADE TILL OCH/ELLER KAN UPPSTÅ GÄLLANDE PRODUKTEN.

DETTA ÅR ETT BINDANDE JURIDISKT AVTAL ("AVTAL") MELLAN DIG (ANTINGEN EN ENSKILD PERSON ELLER FYSISK PERSON) OCH TILLVERKAREN ("WILLAND") SEGWAY DISCOVERY B.V. EMEA ("SEGWAY") OCH DERAS PARTNER (INKLUDERAT MEN INTE BEGRÄNSADE TILL DESS MODERBOLAG, DOTTERBOLAG, PARTNERFÖRETAG, FÖREGÅNGARE, EFTERFÖLJANDE FÖRETAG, ADMINISTRATÖRER, EFTERTRÄDARE, FÖRVALTARE, TJÄNSTEMÄN, DIREKTÖRER, CHEFER, ANSTÄLLDA, MEDLEMMAR, AKTIEÄGARE SAMT AGENTER, ADVOKATER, FÖRSÄKRARE ELLER ÅTERFÖRSÄKRARE) (TILLSAMMANS "SEGWAY-PARTER"), SEGWAY-ÅTERFÖRSÄLJARE (ENLIGT DEFINITION NEDAN) OCH DERA PARTNER (TILLSAMMANS "SEGWAY-ÅTERFÖRSÄLJARE").

KÖP AV PRODUKTEN, ÖPPNA PRODUKTFÖRPACKNINGEN, ANVÄNDA PRODUKTEN, BEHÅLLA PRODUKTEN, UTNYTTJA FÖRDELARNA I DETTA AVTAL ELLER ELEKTRONISKT GODKÄNNANDE AV DETTA AVTAL INNEBÄR GODKÄNNANDE AV DETTA AVTAL. OM DU, SOM FÖRÄLDER ELLER VÅRDNADSHAVARE, KÖPER DENNA PRODUKT TILL ELLER FÖR DINA BARN, SAMTYCKER DU HÄRMED TILL OCH GODKÄNNER ALLA DELAR AV AVTALSVILLKOREN OCH GODKÄNNER ATT BÅDA DU OCH DINA BARN SKA VARA BUNDNA AV DETTA AVTAL. DU BEKRÄFTAR OCH GODKÄNNER ATT DU HAR FÅTT TILLFÄLLIG INFORMATION OM DETTA AVTAL OCH DU GODKÄNNER DETTA AVTAL.

Registrera produktens serienummer

Registrera produktens serienummer nedan. Du hittar serienumret på utsidan av fraktförpackningen eller på produktens undersida.

Serienummer här

Registrera serienumret på utsidan av fraktförpackningen

Registrera serienumret på undersidan

1. Begränsad garanti

Denna begränsade garanti täcker endast defekter på material eller kvalitet på produkten och dess komponenter när produkten och dess komponenter används under normala förhållanden. I händelse av att en defekt som omfattas av denna begränsade garanti inträffar, kommer Segway och/eller annan Segway-part efter eget godtycke att reparera eller ersätta den defekta produkten eller dess defekta komponenter enligt denna begränsade garanti. Gällande begränsade garantiperiod för den begränsade garantin börjar på dagen för det ursprungliga köpet av produkten från antingen Segway, Segways auktoriserade återförsäljare, Segways auktoriserade distributör eller en auktoriserad återförsäljare (var och en "Segway-återförsäljare" eller tillsammans "Segway-återförsäljare").

	Komponentens namn	Begränsad garantiperiod
Klippare	<ul style="list-style-type: none">Ram Drivmotor Bladmotor Klipphöjdsmotor Drivkortmodul CU-kortmodul Laddningskortmodul <ul style="list-style-type: none">Sensormodul IoT-kort GPS-modul Hallkort LED-kort Ultraljudmodul 868-antenn <ul style="list-style-type: none">GPS -antenn Montering av bladskivor GNSS-antenn	<p>3 år (H500E, H800E)</p> <p>4 år (H1500E, H3000E)</p>
Batteri	<ul style="list-style-type: none">Batteri	<p>2 år (H500E, H800E)</p> <p>3 år (H1500E, H3000E)</p>
Övriga komponenter	<ul style="list-style-type: none">Strömkälla Laddremсор Strömkabel Summer <ul style="list-style-type: none">Regnsensor Kontrollpanel/knappar Stoppknapp Universalhjul <ul style="list-style-type: none">Montering av antenn Alla kablar	<p>1 år</p>
Komponenter som är föremål för slitage	<ul style="list-style-type: none">Blad Dekorationsstycke Packning Tätningsremсор Bärhandtag Övre lucka <ul style="list-style-type: none">Genomskinlig behållare Montering av bakre skydd Gummipropp Montering av laddningsstationen Batterilucka Montering av stötfångare <ul style="list-style-type: none">Ultraljudskydd Pinnar för att säkra förlängningskabeln	<p>90 dagar</p>

DEN BEGRÄNSADE GARANTIN HÄRI ÄR DEN ENDA UTTRYCKLIGA GARANTIN SOM GÄLLER FÖR PRODUKTEN OCH DESS KOMPONENTDELAR, TILLBEHÖR OCH SERVICEREPARATIONER. SEGWAY OCH SEGWAY-PARTER FRISKRIVER SIG FRÅN ALLA ANDRA UTTRYCKLIGA GARANTIER. SEGWAY OCH ANDRA SEGWAY-PARTER BEGRÄNSAR VARAKTIGHET OCH GOTTGÖRELSE FÖR ALLA UNDERFÖRSTÅDDA GARANTIER, INKLUSIVE UTAN BEGRÄNSNING AV GARANTIER FÖR SÄLJBARHET OCH LÄMPLIGHET FÖR ETT SÄRSKILT SYFTE, ENLIGT LAG, FÖRSÄLJNING, PRESTANDA, HANDEL ELLER PÅ ANNAT SÄTT TILL VARAKTIGHETEN FÖR DENNA UTTRYCKLIGA BEGRÄNSADE GARANTI. DENNA BEGRÄNSADE GARANTI PÅVERKAR INTE PÅ NÅGON SÄTT ELLER BEGRÄNSAR DE LAGSTADGADE RÄTTIGHETER DU KAN HA SOM KONSUMENT, EXEMPELVIS GÄLLANDE ÖVERENSSTÄMMELSE.

Segways tekniska supportpersonal hjälper dig med din fråga

2. Serviceprocess med begränsad garanti

Segways onlinetjänster finns på navimow.segway.com. Om du under användning av produkten anser att produkten eller dess komponenter är defekta och/eller inte fungerar korrekt. SLUTA OMEDELBART ANVÄNDA PRODUKTEN OCH FÖRVARA PRODUKTEN PÅ LÄMPLIGT SÄTT. DIN FORTSATTA ANVÄNDNING AV PRODUKTEN UNDER SÅDAN OMSTÄNDIGHET KAN ORSAKA ALLVARLIG KROPPSSKADA ELLER EVENTUELLT DÖDSFALL FÖR DIG ELLER ANDRA OCH/ELLER ORSAKA SKADOR PÅ EGENDOM. Därefter ska du omedelbart kontakta Segway på support-navimow@rlm.segway.com Segways tekniska supportpersonal är tillgänglig för att hjälpa dig online eller via telefon för att diagnostisera defekten och, om sådan finns, ge ytterligare instruktioner. Om garantiservice krävs ska du förbereda följande material, inklusive (i) bevis på det ursprungliga köpet av produkten från Segway-återförsäljare, (ii) produktens serienummer och (iii) en beskrivning av defekten, om tillämpligt. När du har verifierat att du är berättigad till begränsat garantiskydd och/eller -tjänster ska du lämna namn, e-postadress, postadress och telefonnummer till oss, guidar vi dig för att få vår service. Om du vill återställa den defekta enheten till service, du ansvarar för kostnaden för frakt och risken för förlust och skada som kan uppstå under transporten från dig till Segway och (ii) från Segway till dig. Du måste inkludera din defekta produkt eller komponent i original- eller Segway-godkänd förpackning, som tillhandahållas dig till din kostnad, för transport av produkten till Segway. Du ska försvara, inte ha anspråk på och hålla Segway fri från förlust och/eller skada som kan orsakas av felaktig förpackning eller under transport av produkten eller komponenten till Segway.

En auktoriserad tjänstleverantör eller Segway-återförsäljare kommer att inspektera din returnerade produkt. Om Segway med rimlighet kan fastställa att problemet inte täcks av den begränsade garantin, kommer Segway att meddela dig och informera dig om service- eller utbytesalternativ som är tillgängliga för dig på avgiftsbasis, eller annars kommer Segway att returnera din produkt till dig utan att vara reparerad och i sådana fall ansvarar du för kostnader för frakt av och transportförsäkring för din produkt från Segway till dig. I händelse av att tjänster inte omfattas av den begränsade garantin och du avvisar en avgiftsbelagd tjänst som rekommenderas av Segway-part och/eller Segway-återförsäljare är du införstådd med och godkänner att om produkten inte repareras och/eller tjänster inte utförs kan det leda till ökad risk för att produkten inte kommer att fungera vilket kan leda till allvarliga skador på egendom, allvarlig kroppsskada eller dödsfall, och du samtycker till att detta är ditt informerade beslut att ta en sådan risk.

För en retur som är berättigad till garanti och/eller tjänster kommer Segway att åtgärda defekta produkter med nya eller renoverade delar av samma eller motsvarande standard utan kostnad för dig för tjänsten. Delar som ersätts av Segway kommer att behållas av och bli Segways egendom. I en sådan situation kommer Segway att betala rimliga kostnader för att returnera produkten till dig.

3. Begränsad garantiberättigande

3.1 Din servicebegäran måste tas emot av Segway inom den begränsade garantiperioden som beskrivs ovan, och Segway måste ta emot din produkt enligt den ovan beskrivna serviceprocessen för begränsad garanti.

3.2 Din produkt måste vara inköpt från en auktoriserad Segway-återförsäljare.

3.3 Du måste tillhandahålla inköpskvittot i original.

3.4 Din produkt måste ha ett serienummer som är läsbart, inte dolt, inte påverkat och inte modifierat.

3.5 Alla påverkansbara sigill måste vara intakta, på plats och inte modifierade.

4. Undantag från begränsad garanti

Denna begränsade garanti beskriver tjänsten som är tillgänglig för dig om din produkt kräver garantiservice och du kan ha ytterligare skydd enligt dina lokala lagar. Denna begränsade garanti täcker inte och utesluter skador på din produkt eller någon del av den som orsakats av:

4.1 Missbruk, misskötsel, vårdslöshet, försumlighet eller kommersiell användning.

4.2 Felaktig laddning, lagring, underhåll eller drift av produkten som inte överensstämmer med instruktioner eller begränsningar som anges i användarmaterial.

4.3 Användning av produkten som inte överensstämmer med tillämpliga lagar och förordningar.

4.4 Användning av produkten av personer med otillräcklig erfarenhet.

4.5 Olycka, kollision, brandskada, vattenskada, kemisk skada, användning av produkten utanför produktens arbetstemperaturområde, högtrycksvattenspray, jordbävning, fall.

4.6 Modifieringar av mekaniska delar, modifiering av elektroniska delar eller modifieringar av programvara som är inbäddad i produkten.

4.7 Service, reparation och underhåll av obehöriga personer.

4.8 Kosmetiska skador.

4.9 Användning av produkten med tredje parts produkt, komponent eller tillbehör.

4.10 Normal försämringen av slitdelar.

4.11 Användning av produkten med alltför gamla slitdelar.

5. ANSVARFRISKRIVNING OCH ANSVARSBEGRÄNSNING

5.1 SEGWAY-PARTER TAR INTE OCH GODKÄNNER INTE ATT NÅGON TAR, FÖR SEGWAYS RÄKNING, NÅGOT ANNAT ANSVAR ELLER SKYLDIGHET I ANSLUTNING TILL PRODUKTEN, DESS KOMPONENTDELAR, TILLBEHÖR SERVICEÅTGÄRDER ELLER DENNA BEGRÄNSADE GARANTI.

5.2 SEGWAY-PARTER OCH SEGWAY-ÅTERFÖRSÄLJARE ÄR INTE ANSVARIGA FÖR FÖRLUST AV ELLER UTEBLIVEN ANVÄNDNING AV EN PRODUKT, DESS KOMPONENTDELAR, TILLBEHÖR, ELLER FÖR NÅGOT BESVÄR ELLER ANNAN FÖRLUST ELLER SKADA SOM KAN HA ORSAKATS AV NÅGOT FEL I EN PRODUKT, FÖRPACKNING, SERVICEÅTGÄRD ELLER FÖR ALLA ANDRA TILLFÄLLIGA SKADOR ELLER FÖLJDSKADOR DU KAN HA ÅSAMKATS PÅ GRUND AV NÅGOT FEL I EN PRODUKT, DESS KOMPONENTDELAR, TILLBEHÖR ELLER SERVICEÅTGÄRDER. VISSA LÄNDER TILLÅTER INTE UNDANTAG ELLER BEGRÄNSNING AV TILLFÄLLIGA SKADOR ELLER FÖLJDSKADOR, SÅ OVANNÄMDA BEGRÄNSNING ELLER UNDANTAG KANSKE INTE GÄLLER DIG I SÅDAN OMFATTNING ATT DET INTE TILLÅTS ENLIGT GÄLLANDE LAG.

5.3 UNDER INGA OMSTÄNDIGHETER ÄR SEGWAY-PARTER OCH SEGWAY-ÅTERFÖRSÄLJARES TOTALA OCH SAMMANTAGNA ANSVAR ENLIGT ALLA GÄLLANDE LAGAR, GEMENSAMT ELLER ENSKILT, SOM KAN UPPKOMMA FRÅN ELLER VARA RELATERAT TILL KÖP AV PRODUKTEN, ANVÄNDNING AV PRODUKTEN, AVTALSBROTT, KRÄNKNING (INKLUSIVE FÖRSUMLIGHET) ELLER PÅ ANNAT SÄTT ÖVERSKRIDER SKYLDIGHETEN ATT REPARERA ELLER ERSÄTTA NÅGON DEFEKT PRODUKT UTIFRÅN SEGWAYS EXKLUSIVA GODTYCKE. UNDER INGA FÖRHÅLLANDEN SKA SEGWAY-PARTER OCH SEGWAY-ÅTERFÖRSÄLJARE ANSVARA FÖR FÖLJDSKADOR, INDIREKTA SKADOR, OLYCKSFALL, OAVSIKTLIGA, BESTRAFFNINGSBARA ELLER UTÖKADE SKADOR SOM KAN UPPKOMMA PÅ GRUND AV, ELLER RELATERAT TILL OCH/ELLER I ANSLUTNING TILL INKÖPET AV PRODUKTEN, EVENTUELLT BROTT MOT DETTA AVTAL ELLER TILLVERKARENS SKYLDIGHETER OAKTAT OM (A) SÅDANA SKADOR KUNDE FÖRUTSES, (B) SEGWAY ELLER ANDRA SEGWAY-PARTER INFORMERATS OM RISKEN FÖR SÅDANA SKADOR, ELLER (C) LAGSTIFTNING ELLER MOTSVARANDE REGLERING (KONTRAKT, KRÄNKNING ELLER ANNAT SÄTT) SOM ANSPRÅKET GRUNDAS PÅ SÅVIDA INTE SÅDANA BEGRÄNSNINGAR OCH UNDANTAG ÄR FÖRBJUDET ENLIGT GÄLLANDE LAG. FÖREGÅENDE BEGRÄNSNINGAR ELLER UNDANTAG GÄLLER ÄVEN OM EN KUNDS ELLER NÅGON ANNAN PERSONS (SOM KAN HA RÄTT ELLER ANSPRÅK ENLIGT DETTA AVTAL ENLIGT GÄLLANDE LAG ELLER REGLERING) GOTTGÖRELSER ENLIGT DETTA AVTAL INTE UPPFYLLER SITT SYFTE. OM VISSA LÄNDER INTE TILLÅTER UTESLUTNING ELLER BEGRÄNSNING AV VISSA ELLER ALLA OVANSTÅENDE SKADOR SÅ KANSKE DET INTE GÄLLER FÖR DIG BEROENDE PÅ ATT SÅDANA UTESLUTNINGAR ELLER BEGRÄNSNINGAR INTE TILLÅTS ENLIGT GÄLLANDE LAG. VISSA LÄNDER TILLÅTER INTE UNDANTAG ELLER BEGRÄNSNING AV OAVSIKTLIGA SKADOR ELLER FÖLJDSKADOR SÅ KANSKE DET INTE GÄLLER FÖR DIG BEROENDE PÅ ATT OVANSTÅENDE UNDANTAG ELLER BEGRÄNSNINGAR INTE TILLÅTS ENLIGT GÄLLANDE LAG.

5.4 I den utsträckning som tillåts enligt tillämplig lag, FRISKRIVER härmed SEGWAY-PARTER och SEGWAY-ÅTERFÖRSÄLJARE sig från allt ansvar och ansvarar därmed inte för några skador, inklusive men inte begränsade till dödsfall, personskada eller skada på egendom, som kan uppstå på grund av eller relaterat till något beteende (inklusive vanskötsel), handling, passivitet, agerande (inklusive underlåtenhet att agera), utelämnande eller försumlighet av någon auktoriserad eller icke auktoriserad återförsäljare, distributör, grossist, butik, tjänstleverantör eller tredje part som är involverad i distributionen av produkten eller tjänsterna. I den utsträckning som tillåts enligt tillämplig lag, ska de uttryckliga utfästelser och garantier, om sådana föreligger, som finns häri, vara de enda utfästelser och garantier från SEGWAY-PARTER till DIG, någon konsument och/eller slutanvändare och SEGWAY-PARTER har inget ansvar för några andra utfästelser och/eller garantier som kan ges och/eller lämnas av en annan person, såvida inte SEGWAY-PARTER i skriftlig form uttryckligen har godkänt sådan ytterligare utfästelse och/eller garanti till konsument eller slutanvändare.

6. Anspråk, tvistlösning och skiljedom

PARAGRAFERNA HÄRI ÄR JURIDISKT BINDANDE MELLAN DIG (ANTINGEN EN FYSISK PERSON ELLER JURIDISK PERSON) OCH SEGWAY DISCOVERY BV, DESS OMBUD, SEGWAY-PARTER OCH SEGWAY-ÅTERFÖRSÄLJARE. PARAGRAFERNA HÄRI KAN PÅVERKA DINA RÄTTIGHETER, OCH DET ÄR DITT ANSVAR ATT LÄSA FÖLJANDE AVSNITT. DU KAN VÄLJA BORT AVTALET INOM 30 KALENDERDAGAR EFTER FÖRSTA KONSUMENTKÖPET GENOM ATT E-POSTA OPTOUT@SEGWAY.COM OCH TILLHANDAHÅLLA DEN TILLÄMPLIGA INFORMATIONEN. MER INFORMATION FINNS I AVSNITT 6.2.

6.1 Bindande skiljedom

Segway-parter, Segway-återförsäljare och du är överens om att alla tvister, kontroverser eller anspråk som uppstår på grund av, relaterade till eller i samband med detta avtal, den begränsade garantin, försäljningen, skicket på eller prestanda för produkten, vare sig den bygger på kontrakt, skadestånd, bedrägeri, felaktig framställan eller någon annan juridisk teori enligt lag, inklusive men inte begränsat till eventuella anspråk vid dödsfall, personskada eller egendomsskada ska styras av och tolkas i enlighet med lagstiftningen i Nederländerna med undantag för dess konflikter med lagbestämmelser och slutligen lösas enligt International Chamber of Commerce (ICC) under 2021 ICC Arbitration Rules (ICC Rules) som för närvarande är i kraft och dessa regler anses införlivade genom hänvisning i denna paragraf. Vidare är parterna överens om att:

i. Skiljedomstol är i Amsterdam, Nederländerna.

ii. Nämnden ska bestå av tre skiljedomare.

iii. Skiljeförfarandets språk ska vara engelska.

Avsnitt 6 "Anspråk, tvistlösning och obligatorisk skiljedom"-paragrafen ska bestå vid uppsägning eller upphörande av detta avtal och/eller den begränsade garantin eller i händelse av att detta avtal och/eller den begränsade garantin hålls upphävd, undvikelig, ogiltig eller inte verkställbar antingen helt eller delvis av en behörig domstol med faktisk auktoritet och behörighet i denna fråga.

6.2 Opt-Out

DU KAN VÄLJA DETTA FÖRFARANDE FÖR TVISTLÖSNING GENOM ATT MEDDELA SEGWAY ELLER SEGWAY-PARTER INTE SENARE ÄN TRETTIO (30) KALENDERDAGAR EFTER DATUMET FÖR DEN FÖRSTA KONSUMENTKÖPET AV PRODUKTEN. FÖR ATT OPT-OUT, MÅSTE DU SKICKA MEDDELANDE MED E-POST TILL OPTOUT@SEGWAY.COM MED ÄMNESRADEN: "SKILJEDOM OPT-OUT." OPT-OUT-MEDDELANDET MED E-POST MÅSTE INNEHÅLLA (A) DITT NAMN, DIN E-POSTADRESS, POSTADRESS OCH DITT TELEFONNUMMER; (B) DATUM DÅ PRODUKTEN KÖPTES; (C) PRODUKTMODELLENS NAMN ELLER MODELLNUMMER; OCH (D) PRODUKTENS SERIENUMMER. ALTERNATIVT KAN DU OPT-OUT GENOM ATT SKICKA ETT OPT-OUT-BREV TILL SEGWAY på Dynamostraat 7, 1014BN, Amsterdam, Nederländerna. REKOMMENDERAT BREV INOM TRETTIO (30) KALENDERDAGAR FRÅN DATUMET FÖR FÖRSTA SLUTANVÄNDARENS KÖP AV PRODUKTEN FRÅN SEGWAY-ÅTERFÖRSÄLJARE. OPT-OUT-BREVET SKA INNEHÅLLA FÖLJANDE INFORMATION: (A) DITT NAMN, DIN E-POSTADRESS, POSTADRESS OCH DITT TELEFONNUMMER; (B) DATUM DÅ PRODUKTEN KÖPTES; (C) PRODUKTMODELLENS NAMN ELLER MODELLNUMMER; (D) SERIENUMMER; OCH (E) FÖLJANDE UTTALANDE: OVANSTÅENDE KONSUMENT VÄLJER OPT-OUT FÖR PROCEDUREN FÖR TVISTLÖSNING SOM TILLHANDAHÅLLS MED DENNA BEGRÄNSADE GARANTI, DETTA ÄR DE ENDA TVÅ SÄTTEN ATT UTFÖRA DENNA PROCEDUR FÖR TVISTLÖSNING. VALET ATT OPT-OUT FÖR DENNA PROCEDUR FÖR TVISTLÖSNING PÅVERKAR INTE TÄCKNINGEN AV DEN BEGRÄNSADE GARANTIN PÅ NÅGOT SÄTT OCH DU FORTSÄTTER ATT ÅTNJUTA FÖRDELARNA MED DEN BEGRÄNSADE GARANTIN.

6.3 Språk

Detta avtal kan översättas till olika språk. I händelse av konflikt ska den engelska versionen ha företräde och styra.

5 ÖVERSÄTTNING AV ORIGINAL FÖRSÄLJNING OM ÖVERENSSTÄMMELSE

Tillverkare

Namn: Willand (Beijing) Technology Co., LTD.

Adress: Room 203, A1 Bldg. Zhongguancun Dongsheng Technology Park (Northern Territory), No. 66, Xixiaokou Rd, Haidian Dist., Beijing, Kina

Auktoriserad representant

Namn: Segway Discovery BV

Adress: Dynamostraat 7, 1014BN Amsterdam, Nederländerna

Syftet med deklARATIONEN

Generisk beteckning: Robotgräsklippare

Produktnamn: Navimow

Typ/modell: H500E/H800E/H1500E/H3000E

Serienummer: S2RA x yyyy x yyyy/S2RC x yyyy x yyyy/S2RE x yyyy x yyyy/S2RT x yyyy x yyyy

("X" indikerar alla senare från A-Z utom O och I, "y" indikerar alla senare från A-Z utom O och I eller valfritt tal från 0-9)

Denna försäkran om överensstämmelse utfärdas under tillverkarens eget ansvar.

Syftet med deklARATIONEN som beskrivs ovan överensstämmer med följande EU-direktiv:

1. Radioutrustningsdirektiv (2014/53/EU)
2. Maskindirektiv (2006/42/EG)
3. RoHS-direktiv (2011/65/EU) och ändringsdirektiv ((EU) 2015/863)

Överensstämmelse med dessa direktiv har bedömts för denna produkt genom att visa att följande harmoniserade standarder och/eller föreskrifter är uppfyllda:

EN 60335-1:2012+A11:2014+AC:2014+A13:2017+A1:2019+A14:2019+A2:2019

EN 50636-2-107:2015+A1:2018+A2:2020

EN IEC 61000-3-2:2019+A1:2021

EN 61000-3-3:2013+A1:2019

EN IEC 55014-1:2021

EN IEC 55014-2:2021

ETSI EN 300 220-1 V3.1.1

ETSI EN 300 220-2 V3.1.1

ETSI EN 300 328 V2.2.2

ETSI EN 303 413 V1.1.1

EN 50665:2017

EN 62133-2:2017

ETSI EN 301 908-1 V13.1.1

ETSI EN 301 908-13 V13.1.1

ETSI EN 301 489-1 V2.2.3

ETSI EN 301 489 - 3 V2.2.0

ETSI EN 301 489-17 V3.2.4

ETSI EN 301 489-19 V2.1.1

ETSI EN 301 489-52 V1.2.1

ETSI EN 301 511 V12.5.1

EN IEC 62311:2020

EN IEC 63000:2018

Signerad för och på uppdrag av: Willand (Beijing) Technology Co., LTD.

Plats: Changzhou, Kina

Namn: Crystal Zhuang

Underskrift: *Crystal Zhuang*

Datum: 22-10-2021

Funktion: Certifieringschef

6 Certifieringar

European Union Compliance Statement

Information om avfallshantering för användare av elektrisk och elektronisk utrustning



Denna symbol på produkten eller på förpackningen indikerar att förbrukade elektriska och elektroniska produkter inte får blandas med osorterat kommunalt avfall. För korrekt hantering är det ditt ansvar att kassera din avfallsutrustning genom att lämna den till en avsedd samlingsplats.

Att kasta denna produkt på rätt sätt hjälper till att spara värdefulla resurser och förhindrar eventuella negativa effekter på människors hälsa och miljön, som annars kan uppstå på grund av olämplig avfallshantering.

För att returnera din förbrukade enhet, använd retur- och insamlingssystemen eller kontakta återförsäljaren där produkten köptes, vilket är kostnadsfritt. Kontakta din lokala myndighet för mer information om din närmaste avsedda samlingsplats.

Påföljder kan vara tillämpliga för felaktigt bortskaffande av detta avfall, i enlighet med nationell lagstiftning.

Information om kassering för användare av förbrukade batterier



Denna symbol betyder att batterier och ackumulatörer inte ska blandas med osorterat kommunalt avfall när de är förbrukade. Ditt deltagande är en viktig del av arbetet med att minimera inverkan från batterier och ackumulatörers på miljön och människors hälsa. För korrekt återvinning kan du returnera denna produkt eller batterierna eller ackumulatörerna som den innehåller till din leverantör eller till en avsedd samlingsplats, vilket är kostnadsfritt.

Att kasta denna produkt på rätt sätt hjälper till att spara värdefulla resurser och förhindrar eventuella negativa effekter på människors hälsa och miljön, som annars kan uppstå på grund av olämplig avfallshantering.

Påföljder kan vara tillämpliga för felaktigt bortskaffande av detta avfall, i enlighet med nationell lagstiftning.

Det finns separata insamlingssystem för förbrukade batterier och ackumulatörer.

Kassera batterier och ackumulatörer på rätt sätt på din lokala samlings-/återvinningsstation.

Direktiv för begränsning av användningen av vissa farliga ämnen (RoHS)

Willand (Beijing) Technology Co., LTD. deklarerar härmed att hela produkten inklusive delar (kablar, sladdar och så vidare) uppfyller kraven i RoHS-direktivet 2011/65/EU och kommissionens ändringsdirektiv (EU) 2015/863 om begränsning av användningen av vissa farliga ämnen i elektrisk och elektronisk utrustning ("omarbetat RoHS" eller "RoHS 2.0").

Direktiv om radioutrustning

Willand (Beijing) Technology Co., LTD. deklarerar härmed att produkten som anges i detta avsnitt uppfyller de väsentliga kraven och andra relevanta bestämmelser i radioutrustningsdirektivet 2014/53/EU.

Maskindirektiv

Willand (Beijing) Technology Co., LTD. deklarerar härmed att produkten som anges i detta avsnitt uppfyller de väsentliga kraven och andra relevanta bestämmelser i maskindirektivet 2006/42/EC.

Auktoriserad representant i Europa:



Segway Discovery B.V. Dynamostraat 7, 1014BN Amsterdam, Nederländerna.

Willand (Beijing) Technology Co., LTD. deklarerar härmed att produkten uppfyller de väsentliga kraven och andra relevanta bestämmelser i RoHS-direktivet 2011/65/EU och kommissionens ändringsdirektiv (EU) 2015/863, radioutrustningsdirektivet 2014 /53/EU och maskindirektivet 2006/42/EG.

Bluetooth	Frekvensband	2,4000–2,4835 GHz
	Max. RF Power	20 mW

7 Kontakta oss

Tillverkare: Willand (Beijing) Technology Co., LTD.

Adress: Room 203, A1 Bldg. Zhongguancun Dongsheng Technology Park (Northern Territory), No. 66, Xixiaokou Rd, Haidian Dist., Beijing, Kina

Kontakta oss om du upplever problem med drift, underhåll och/eller säkerhet eller fel/brister med din gräsklippare.

Auktoriserad representant i Europa: Segway Discovery BV, Dynamostraat 7, 1014BN Amsterdam, Nederländerna.

Auktoriserad representant: Segway Discovery B.V., Hogehilweg 8–6th Floor, 1101CC Amsterdam, Nederländerna.

Webbplats: navimow.segway.com

EN	Important Information	2
DE	Wichtige Informationen	20
FR	Informations importantes	36
IT	Informazioni importanti	52
NL	Belangrijke informatie	68
SV	Viktig information	84
FI	Tärkeitä tietoja	100
NO	Viktig informasjon	116
DA	Vigtig information	132

Sisällysluettelo

1	Turvallisuusvaroitukset	101
2	Osat ja toiminnot	104
3	Huolto	106
4	Rajoitettu takuu	109
5	ALKUPERÄISEN VAATIMUSTENMUKAISUUSVAKUUTUKSEN KÄÄNNÖS	113
6	Sertifioinnit	114
7	Yhteydenotto	114
	Alkuperäisten ohjeiden käänös	

Tillverkaren förbehåller sig rätten att göra ändringar i produkten, släppa uppdateringar av fast programvara och uppdatera denna manual när som helst. Illustrationer av produkten, tillbehör och appgränssnitt är endast avsedda som referens. Den faktiska produkten och funktionerna kan variera. Gå till navimow.segway.com för fullständig **användarhandbok** och juridiska dokument.

Lue ja ymmärrä kaikki turvallisuusvaroitukset ja huoltomenetelmät ennen käyttöä.
ÄLÄ hävitä tätä käyttöohjetta, sillä se on tämän tuotteen pysyvä osa.

1 Turvallisuusvaroitukset

TÄRKEÄ

LUE HUOLELLISESTI ENNEN KÄYTTÖÄ SÄILYÄ MYÖHEMPÄÄ KÄYTTÖÄ VARTEN

- 1) Muista asentaa ja käyttää Navimowia (käyttöohjeessa käytetään nimitystä leikkuri) ja latausasemaa ohjeiden mukaisesti. Siirry osoitteeseen navimow.segway.com saadaksesi täydellisen käyttöoppaan ja uusimmat käyttäjämateriaalit.
- 2) Tuote on tarkoitettu sekä kotitalous- että ammattikäyttöön. Ruohonleikkurin käyttö muihin tarkoituksiin kuin leikkaamiseen voi aiheuttaa vakavia vammoja. Loukkaantumiseriskien välttämiseksi lue ja ymmärrä kaikki varoitukset ja varoitukset. Ymmärrä, että voit vähentää riskiä noudattamalla tämän oppaan ohjeita ja varoituksia, mutta et voi poistaa kaikkia riskejä. Käyttäjä on vastuussa onnettomuuksista tai vaaroista, joita tapahtuu hänen maillaan oleville ihmisille.
- 3) Navimowissa on monia sisäänrakennettuja turva-antureita, mutta turvallisuusriskejä on silti olemassa. Aseta leikkausaika niin, että nurmikolla ei ole ihmisiä tai lemmikkejä. Ilmoita naapureille onnettomuusriskeistä. Jos käytät ruohonleikkuria julkisella nurmikolla tai kun nurmikkosi on avoinna naapurillesi tai kadulle, suojaa tai aittaa nurmikko tai aseta varoitusmerkki työskentelyalueen ympärille: VAROITUS! Automaattinen ruohonleikkuri! Pysy kaukana koneesta! Valvo lapsia!
- 4) ÄLÄ muuta leikkuria itse. Muutokset voivat häiritä leikkurin toimintaa, aiheuttaa vakavia vammoja ja/tai vahinkoja tai mitätöidä rajoitetun takuun. Käytä vain Segwayn hyväksymiä osia ja lisävarusteita.
- 5) Valmistaja suosittelee käyttäjän olevan 18–70-vuotias. Varmista, että olet saanut tarvittavan koulutuksen ennen koneen käyttöä.

⚠ VAROITUS

Älä koskaan anna lasten, henkilöiden, joiden fyysiset, sensoriset tai henkiset kyvyt ovat heikentyneet tai joilla ei ole kokemusta tai tietoa, tai ihmisten, jotka eivät tunne näitä ohjeita, käyttää konetta. Paikalliset määräykset voivat rajoittaa käyttäjän ikää.

Ennen leikkaamista:

- Tarkista säännöllisesti, että kaikki leikkurin osat toimivat normaalisti.
- Parhaan leikkaustuloksen saavuttamiseksi on suositeltavaa leikata kuivalla säällä. Leikkaaminen sateessa voi saada ruohon tarttumaan tuotteeseen ja leikkurin luistamisen. ÄLÄ leikkaa huonolla säällä, kuten rankkasateessa, ukkosmyrskyssä tai lumessa.
- Tarkista aika ajoain alue, jolla konetta käytetään, ja poista kaikki kivet, risut, johdot, luut ja muut vieraat esineet. Rajoitettu takuu ei kata nurmikolle jätettyjen esineiden aiheuttamia vahinkoja.
- Pidä leikkuri vähintään 1 metrin (3 jalan) päässä sprinkleripäistä välttääksesi mahdolliset vauriot. Ruohonleikkuri ja sprinkleri EIVÄT saa toimia samanaikaisesti. Ajoita leikkuri niin, että se toimii eri aikaan kuin sprinkleri.
- ÄLÄ KOSKAAN anna lasten koskettaa virtalähdettä, latausasemaa, teriä, akkulokeroa tai osia, joissa on rakoja, kuten pyöriä.

⚠ VAROITUS

Älä koskaan käytä konetta ja/tai sen oheislaitteita viallisten suojalaitteiden tai suojusten kanssa tai jos johto on vaurioitunut tai kulunut.

Leikattaessa:

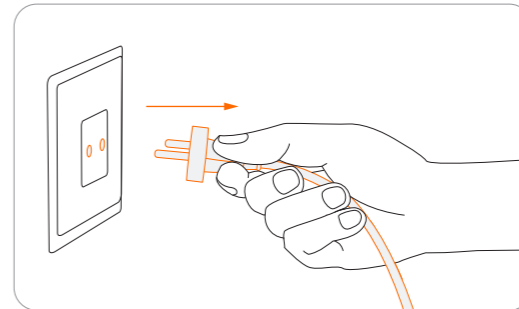
- Pysy kaukana pyörivistä teristä! ÄLÄ laita käsiä tai jalkoja pyörivien terien alle tai lähelle.
- Varo lentäviä esineitä! Pidä turvallinen etäisyys leikkuriin käytön aikana.
- ÄLÄ jätä konetta toimimaan ilman valvontaa, jos tiedät, että lähistöllä on lemmikkejä, lapsia tai ihmisiä.
- ÄLÄ kurota. Säilytä aina tasapaino ja ole aina varma jalansijasta rinteissä. Kävele, älä koskaan juokse käyttäessäsi konetta tai sen oheislaitteita.

⚠ VAROITUS

- ÄLÄ anna lasten olla lähellä tai leikkiä koneella, kun se toimii.
- ÄLÄ nosta leikkuria, kun se on käynnissä. ÄLÄ aja leikkurin päällä.
- ÄLÄ leikkaa alueita, joiden kaltevuus on jyrkempi kuin suurin kaltevuus työalueen sisällä (45 %) sekä rajalla (10 %).
- Jos leikkurista kuuluu epänormaalia ääntä tai se antaa hälytyksen, paina välittömästi STOP-painiketta.
- Jos epänormaalia tärinää esiintyy, sammuta leikkuri, aseta se tasaiselle alustalle noin 30 sekunniksi ja käynnistä se sitten uudelleen. Jos ongelma ei poistu, ota yhteys valtuutettuun huoltopalveluun.
- ÄLÄ koske liikkuviin vaarallisiin osiin ennen kuin ne ovat täysin pysähtyneet.

Turvallinen käyttö:

- ÄLÄ käytä leikkuria lämpötilarajojen ulkopuolella: -10–50 °C (14–122 °F), koska matala/korkea lämpötila voi heikentää leikkurin suorituskykyä ja johtaa jopa onnettomuuksiin.
- ÄLÄ aseta mitään leikkurin tai latausaseman päälle.
- On suositeltavaa, että aikuinenhuoltaa leikkuria säännöllisesti (*katso Huolto*).
- Tarkista säännöllisesti varoituslaitteet varmistaaksesi, että ne toimivat. Näitä laitteita ovat summeri, latausaseman LED-valo ja leikkurin ympäristön valo.
- Lue ennen lataamista käyttöoppaan kohta *Lataaminen*. Virheellinen käyttö voi aiheuttaa sähköiskun, ylikuumenemisen tai syövyttävän nesteen vuotamisen.
- Jos virtalähteen johto tai jatkojohto vaurioituu tai sotkeutuu käytön aikana, irrota virtalähde pistorasiasta ja selvitä sitten. Vaaran välttämiseksi vedä pistokkeen rungosta äläkä johdosta, kun irrotat virtalähteen pistorasiasta. Ota yhteys huoltopalveluun ja pyydä ammattilaista korjaamaan tai vaihtamaan johto.



Symbolit ja tarrat

Tutki tuotteessa ja etiketissä olevat symbolit huolellisesti ja ymmärrä niiden merkitys:



VAROITUS – Lue käyttöohje ennen koneen käyttöä.



VAROITUS – Älä koske pyörivään terään.



VAROITUS – Pidä turvallinen etäisyys koneeseen käytön aikana.



VAROITUS – Älä aja koneella.



VAROITUS Käytä poiskytkentälaitetta ennen koneen käsittelyä tai nostamista*.
*Varmista, että leikkuri on lukittu PIN-koodilla ennen nostamista tai käyttöä.



VAROITUS – Tätä tuotetta ei saa hävittää tavallisen talousjätteen mukana. Varmista, että tuote kierrätetään paikallisten lakivaatimusten mukaisesti.



Tämä tuote on sovellettavien EY-direktiivien mukainen.

RoHS

Tämä tuote on vaarallisten aineiden rajoitusmääräysten mukainen.



Lue ohjeet ennen lataamista.



Tämä tuote on Yhdistyneen kuningaskunnan sovellettavan lainsäädännön mukainen.



Latausportin napaisuus



Luokan II laite



SMPS, joka sisältää oikosulkusuojatun turvasuojamuuntajan (sisäisesti tai ei sisäisesti)



SMPS (hakkurivirtalähde)



DoE Level VI -tehokkuus



Suurin käyttökorkeus on 5000 metriä merenpinnasta

IP55/IP66

IP55/IP66

ta: 40°C

Suurin käyttölämpötila on 40°C



Tasavirta



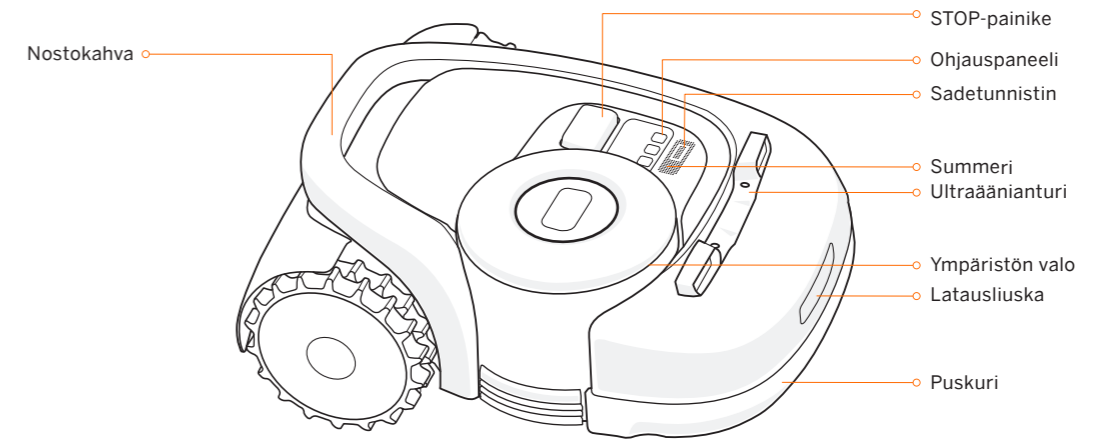
Vaihtovirta



Luokan III laite

2 Osat ja toiminnot

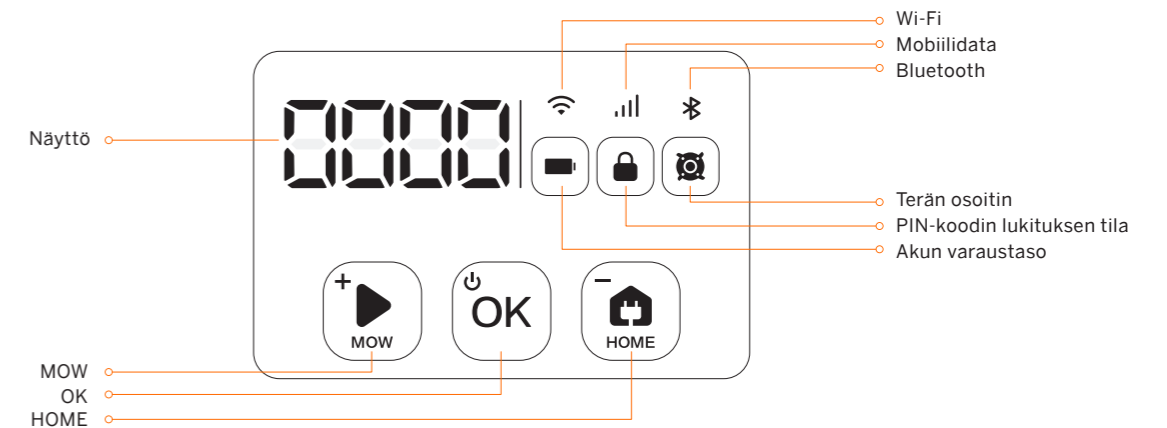
Ylhäältä



Ympäristön valo: Poikkeavuuden tapahtuessa LED-rengas vilkkuu punaisena yhdessä soivan summerin kanssa.

Ultraäänianturi: Joissakin malleissa on ultraäänianturi. Anturia myydään myös erikseen, ja se voidaan asentaa kaikkiin Navimow-malleihin. Kysy lisätietoja jälleenmyyjältäsi.

Ohjauspaneeli



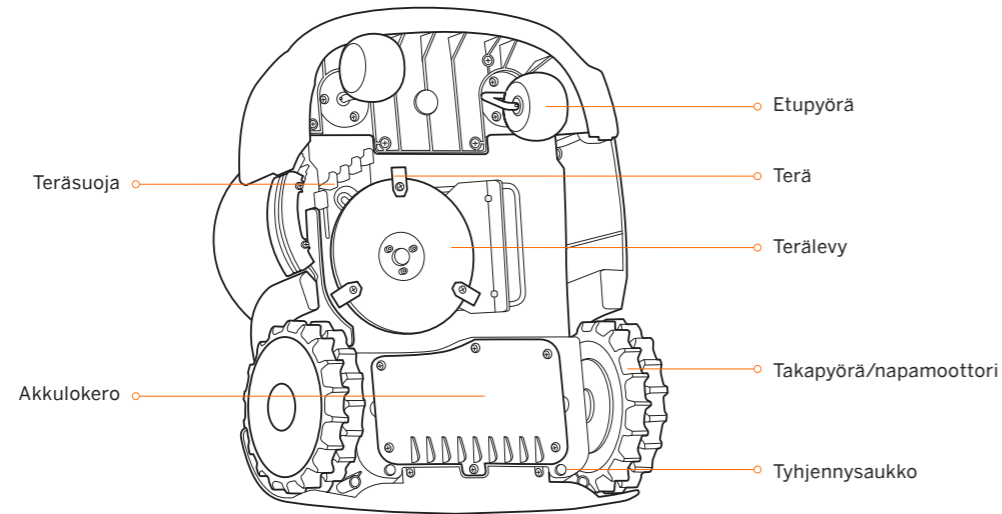
Akun varaustaso: Väri ilmaisee akun varaustason: 50%–100% tasainen vihreä, 20%–49% tasainen keltainen, 5%–19% tasainen punainen, ≤ 5 % punainen vilkkuu. Kun akkuvake on punainen, leikkuri on ladattava.

Näyttö: Siinä näytetään leikkuuprosentti, PIN-koodi, virhekoodi yms.

PIN-koodi: Ennen leikkurin manuaalista käyttöä sinun on annettava PIN-koodi. Oletuskoodi on 0000, ja se voidaan muuttaa Navimow-sovelluksen kautta (jota tässä ohjekirjassa kutsutaan sovellukseksi). Suurena/pienennä numeroa painamalla ja vahvista koodi painamalla OK.

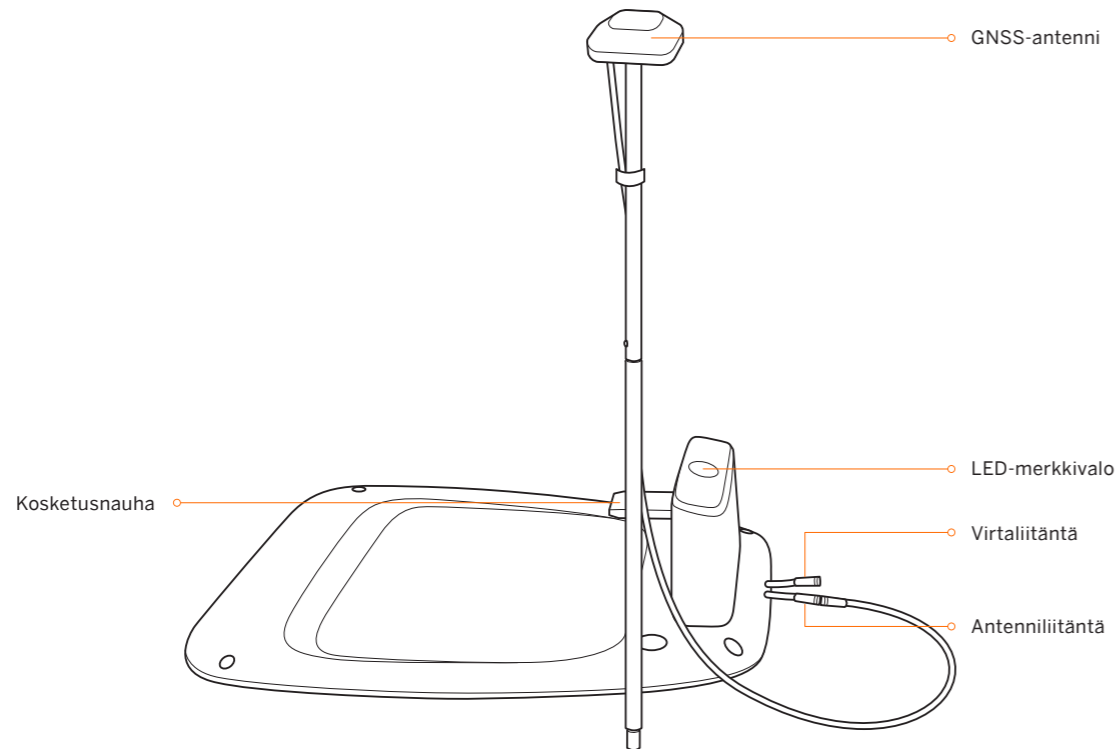
Perustoiminnot

- Virta päälle: Paina OK.
- Virta pois: Pidä OK-painiketta painettuna 4 sekunnin ajan tai sammuta sovelluksen kautta. Ruohonleikkuria ei voi sammuttaa, kun se on latausasemassa.
- Aloita leikkaus: Paina MOW ja sitten OK.
- Pysäytä leikkurin toiminta: Paina STOP.
- Ruohonleikkuri palaa latausasemaan: Paina HOME ja sitten OK.



Tyhjennysaukko: Jos leikkuri putoaa veteen, ota se heti pois ja aseta leikkuri oikea puoli ylöspäin tyhjentämistä varten. Älä koskaan upota ruohonleikkuria veteen, muuten komponentit voivat vahingoittua ja rajoitettu takuu raukeaa.

Latausasema ja GNSS-antenni



HUOMAA: Jos GNSS-antenni on peitossa, mikä johtaa huonoon signaaliin ja väärään sijaintiin, hanki antennin jatkosarja ja asenna se ohjeiden mukaan.

3 Huolto

Parempien leikkaustulosten ja käyttöiän pidentämiseksi pidä leikkuri puhtaana ja terät hyvässä kunnossa. Aikuisen tulee suorittaa tarkastus ja huolto viikoittain. Vaurioituneet tai kuluneet osat tulee vaihtaa. **ÄLÄ suorita huoltoa käyttäessäsi avoimia sandaaleja tai paljain jaloin. Käytä aina pitkiä housuja ja työjalkineita, kun huollat leikkuria.**

1) Puhdistus

Puhdista pehmeällä harjalla tai liinalla. ÄLÄ puhdista alkoholilla, bensiinillä, asetonilla tai muilla syövyttävillä/haihtuvilla liuottimilla. Nämä aineet voivat vahingoittaa leikkurin ulkonäköä ja sisäistä rakennetta.

Tarkasta ja puhdista latausasema säännöllisin väliajoin roskien ja kuran varalta. Varmista, että kaikki latausaseman liitäntäosat, jatkojohto ja virtalähde eivät ole tukossa.

A. Runko ja terälevy

Jos runko ja terälevy ovat likaisia, puhdista harjalla tai vesiletkulla. ÄLÄ käytä korkeapainepesuria. Varmista samalla, että terälevy pyörii vapaasti ja terät voivat kääntyä vapaasti.

VAROITUS: Korkeapaineinen vesi voi vuotaa tiivisteisiin ja vahingoittaa elektronisia ja mekaanisia osia.

B. Pyörät

Pyörissä oleva ruoho voi vaikuttaa ruohonleikkurin toimintaan noustaessa rinteitä. Poista lika tai muut väliin jääneet esineet, jotta pito on hyvä.

C. Sadetunnistin

Tarkista kerran viikossa ja varmista, ettei sadetunnistin ole liian, ruohon tai muiden esineiden peitossa. Voit joko pestä sen puhtaaksi tai puhdistaa sen pehmeällä harjalla.

VAROITUS

- Varmista ennen puhdistamista, että leikkurin virta on katkaistu.
- Kun leikkuri on ylösalaisin, sen on oltava pois päältä.

2) Vaihda terät

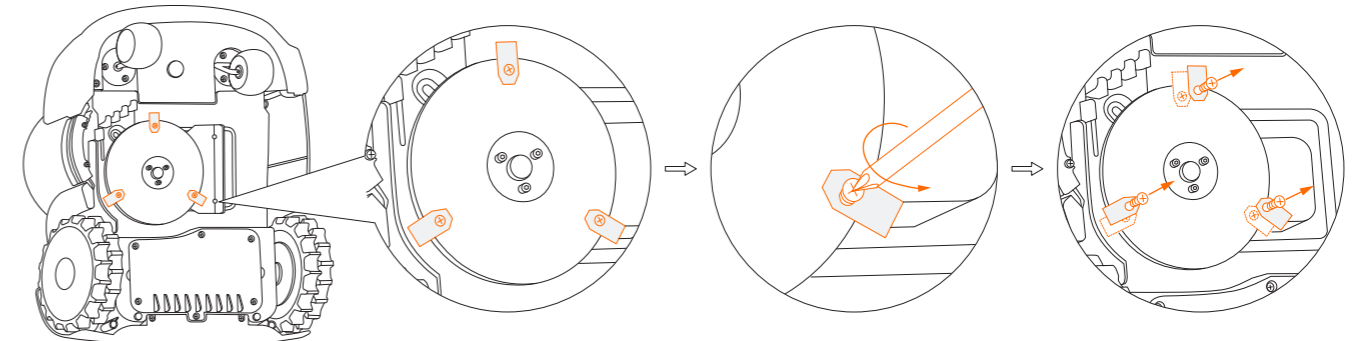
Jos ruohonleikkuria käytetään säännöllisesti, on suositeltavaa vaihtaa terät ja ruuvit 1–2 kuukauden välein turvallisuuden ja parempien leikkaustulosten varmistamiseksi. Vaihda kaikki kolme terää ja niiden ruuvit samanaikaisesti turvallisen leikkausjärjestelmän varmistamiseksi.

VAROITUS

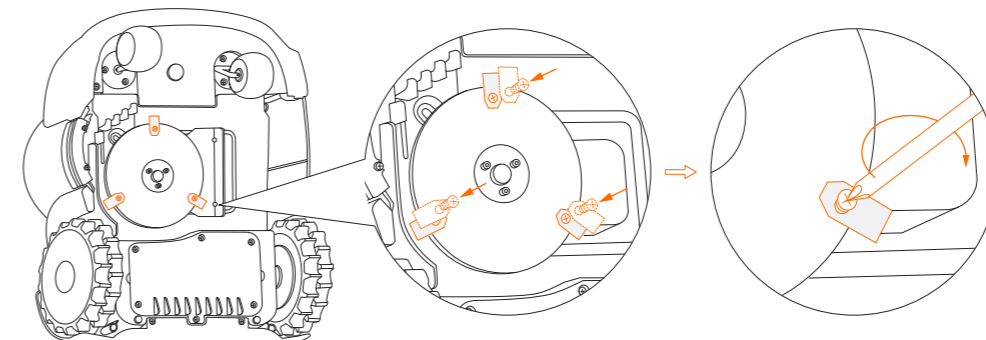
- Käytä paksuja käsineitä, kun tarkastat tai huollat terää.
- Käytä vain oikeantyyppisiä ruuveja ja alkuperäisiä teriä, jotka Segway on hyväksynyt. Terämalli: HA002E.
- ÄLÄ käytä ruuveja uudelleen. Se voi aiheuttaa vakavia vammoja.

Terien vaihtaminen:

- 1 Sammuta leikkuri.
- 2 Naarmuuntumisen välttämiseksi aseta leikkuri pehmeälle ja puhtaalle alustalle ylösalaisin.
- 3 Löysää kolme ruuvia ristipääruuvitaltalla.
- 4 Irrota ruuvit ja terät.



- 5 Kiinnitä uudet terät ja ruuvit (kiristystiukkuus: 1 N·m). Varmista, että terät pääsevät kääntymään vapaasti.

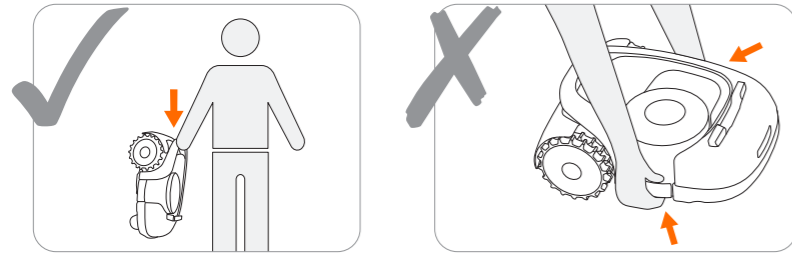


3) Kuljetus

Ruohonleikkurin suojaamiseksi käytä alkuperäispakkausta pitkän matkan kuljetukseen. Sammuta tuote ennen sen nostamista, siirtämistä tai muuta kuljettamista. Käsittele varoen ja vältä liiallista voimaa, kuten heittämistä ja voimakasta painamista. Älä koskaan nosta tai kuljeta leikkuria moottorin käydessä.

Siirtäminen tai nostaminen oikein:

Kanna leikkuria kahvasta terälevy poispäin kehosta.



VAROITUS:

Ruohonleikkurin ja/tai latausaseman vaurioitumisen välttämiseksi ÄLÄ nosta tuotetta, kun se on pysäköity latausasemaan.

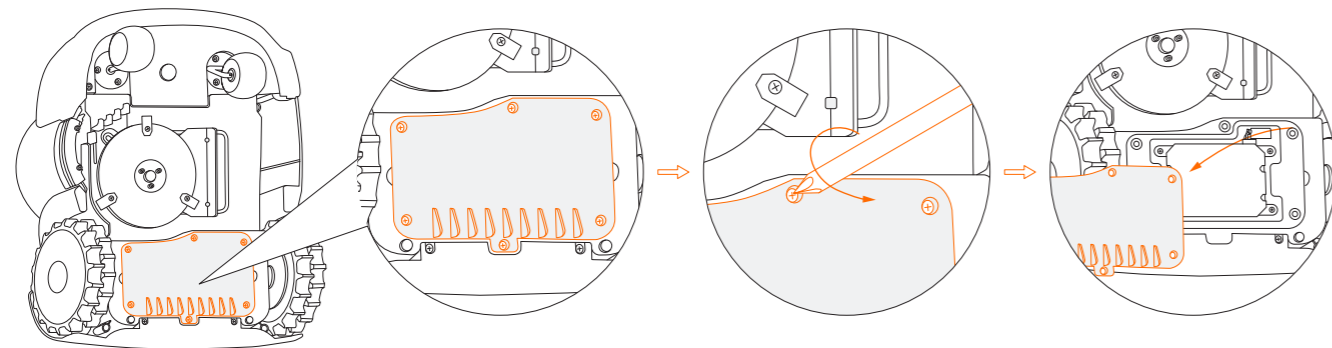
4) Akku

Lataa akku täyteen ennen säilytystä, jotta vältetään ylipurkautuminen ja sähkökomponenttien vaurioituminen. Lataa leikkuri 120 päivän välein pitkäaikaisvarastointia varten. Rajoitettu takuu ei kata ylipurkautumisesta johtuvia akkuvaurioita. ÄLÄ käytä tai säilytä akkua äärimmäisissä lämpötiloissa, ts. yli 50 °C (122°F) tai alle -20 °C (-4 °F).

HUOMAA: Akun kesto riippuu tuotteen käyttöiheydestä ja kokonaiskäyttöajasta. Jos käyttöaika on tavallista lyhyempi täyttä latausta kohti tai nurmikkoa ei leikata kunnolla, harkitse akun vaihtamista.

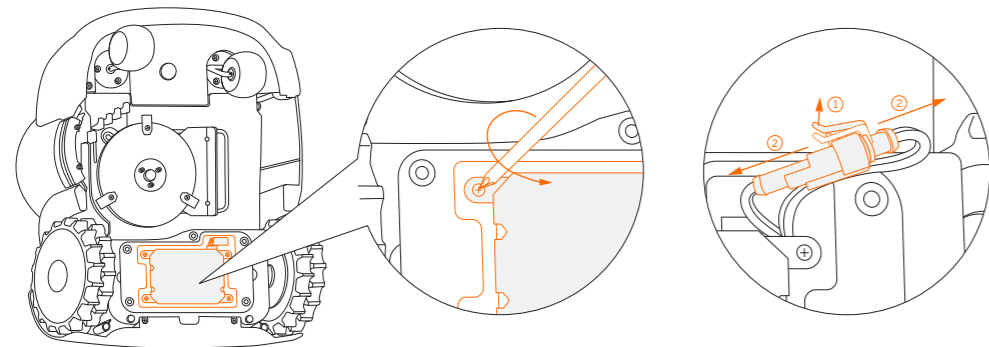
Akun vaihtaminen:

- 1 Sammuta leikkuri.
- 2 Aseta leikkuri pehmeälle ja puhtaalle alustalle ylösalaisin.
- 3 Löysää akkulokeron 6 ruuvia ristipääruuvitaltalla.



4 Löysää akkulokeron 4 ruuvia.

5 Irrota kaksi tulppaa.



6 Ota akku ulos ja vaihda se uuteen.

7 Liitä tulpat ja kiristä kaikki ruuvit.

VAROITUS

- Käytä vain alkuperäistä tai saman tyyppistä akkua kuin Segway on määrittänyt. Jokainen leikkuri sisältää yhden akun. Leikkurin mallin mukaan akun nimelliskapasiteetti on 5200 mAh, 7800 mAh tai 10400 mAh.
- Älä käytä kertakäyttöisiä paristoja. Käytä akun lataamiseen vain tämän laitteen mukana toimitettua irrotettavaa syöttöyksikköä. Euroopan unioni: käytä vain NBW32D002D5N - EU -syöttöyksikön kanssa. Yhdistynyt kuningaskunta: käytä vain NBW32D002D5N - UK -syöttöyksikön kanssa.
- ÄLÄ pura tai puhkaise akkukotelo. Pidä etäällä metalliesineistä oikosulun välttämiseksi. Suojaa tulelta, lämmöltä ja suoralta auringonvalolta.
- Lisätietoja akuista ja sähköjätteistä saat ottamalla yhteyttä kotitalousjätepalveluun, paikalliseen tai alueelliseen jätehuoltotoimistoon tai myyntipisteeseen.
- Akku sisältää elektrolyyttejä. Jos elektrolyyttiä joutuu iholle, pese heti saippualla ja vedellä. Ota yhteys lääkäriin, jos sitä joutuu silmiin, ja huuhtelee silmiä välittömästi runsaalla vedellä vähintään 15 minuutin ajan hankaamatta.

5) Virtalähde

- Irrota virtalähde:
 - ennen tukoksen poistamista;
 - ennen koneen tarkistamista, puhdistamista tai työskentelyä;
 - kun tarkastat koneen vaurioiden varalta vieraaseen esineeseen törmäämisen jälkeen.
- Tutki johto, pistoke, kotelo ja muut osat säännöllisesti. Jos havaitaan vaurioita tai ikääntymisen merkkejä, lopeta käyttö välittömästi.

VAROITUS

- ÄLÄ käytä vaurioitunutta virtalähdettä. Jos virtajohto on vaurioitunut, valmistajan, sen huoltoedustajan tai vastaavan pätevyyden omaavan henkilön on vaihdettava se vaaran välttämiseksi. Jos jatkojohto on viallinen, vaihda se Segwayn hyväksymään 10 metrin pituiseen kaapeliin.
- ÄLÄ kytke vaurioitunutta johtoa virtalähteeseen tai kosketa vaurioitunutta johtoa tai jatkojohtoa, ennen kuin se on irrotettu pistorasiasta. Vaurioituneet johdot voivat johtaa kosketukseen jännitteisten osien kanssa.
- ÄLÄ käytä virtalähdettä minkään muun tuotteen tai akun kanssa, muuten on olemassa henkilövahinkojen, tulipalon tai sähköiskun vaara. Tuoteturvallisuutta ei voida taata muilla kuin alkuperäisillä akuilla.
- ÄLÄ lataa, jos akku vuotaa.
- Pidä jatkojohto etäällä liikkuvista vaarallisista osista, jotta johdot eivät vahingoitu, mikä voi johtaa kosketukseen jännitteisten osien kanssa.

Suositus

Kytke leikkuri ja/tai sen oheislaitteet vain virtapiiriin, joka on suojattu vikavirtasuojalaitteella (RCD), jonka laukaisuvirta on enintään 30 mA.

6) Varastointi

- Sammuta leikkuri ennen varastointia ja lataa se täyteen, jotta vältetään ylipurkautuminen, joka aiheuttaa pysyviä vaurioita.
- Säilytä viileässä ja kuivassa paikassa sisätiloissa. Altistuminen auringonvalolle ja äärimmäisille lämpötiloille (sekä kuumille että kylmille) nopeuttaa komponenttien ikääntymistä ja voi vahingoittaa akkua pysyvästi.
- Pidä leikkuri, latausasema ja virtalähde poissa lämmönlähteiden (kuten uunien, patterien yms.) tai kemikaalien luota. Suojaa virtalähde kosteudelta ja säilytä sitä hyvin ilmastoidussa paikassa.

VAROITUS

Kun on ukkosriski, irrota virtalähde pistorasiasta. Irrota kaikki latausasemaan liittyvät kaapelit ja johdot. Liitä uudelleen, kun ukkosriskiä ei enää ole.

Talvivarastointi

- Ruohonleikkuri
Puhdista leikkuri huolellisesti ennen varastointia. Tarkista kuluvat osat, kuten terät. Korjaa tai vaihda ne, jos ne ovat huonossa kunnossa. Säilytä leikkuria kuivassa ja jäätymättömässä paikassa seisomalla kaikilla pyörillä, mieluiten alkuperäisessä pakkauksessa.
- Latausasema
Irrota virtalähde pistorasiasta ja irrota latausasemasta. Vie latausasema sisätiloihin ja pidä poissa suorasta auringonvalosta.

7) Kierrätys ja loppukäsittely

ÄLÄ käsittele tätä tuotetta talousjätteenä. Jos haluat lisätietoja kierrätyksestä, ota yhteyttä kotitalousjätepalveluun, kuntaasi tai myyntipisteeseesi.

⚠VAROITUS

ÄLÄ hävitä tätä tuotetta kaatopaikalle, polttamalla tai sekoittamalla talousjätteiden mukana. Sähkökomponenttien aiheuttama vaara tai vakava loukkaantuminen.

8) Muut

- Pidä kaikki ruuvit, mutterit ja pultit tiukassa normaalin ja turvallisen toiminnan varmistamiseksi.
- Tuotteen mukana toimitetut renkaat tulee asentaa pyörälle ammattimaisen korjaamon toimesta. Pyörien irrottaminen on monimutkaista, ja virheellinen asennus voi johtaa epävakauteen ja toimintahäiriöihin.
- Varmista kulutuspinnan pito pitämällä vetopyörät (takapyörät) puhtaina poistamalla kura harjalla.
- Puskurin takana olevan alustaosaston saa avata ja sulkea VAIN valtuutettu huoltoteknikko. Itse tehty huolto voi mitätöidä rajoitetun takuun.

ILMOITUS: VAKUUTUS

VAKUUTUSSOPIMUKSESI EI VÄLTÄMÄTTÄ KATA TÄMÄN TUOTTEEN KÄYTTÖÖN LIITTYVIÄ TAPATURMIA TAPAHTUMIA. TARKISTA KATTAVUUS OTTAMALLA YHTEYTTÄ VAKUUTUSYHTIÖÖSI TAI -EDUSTAJAASI.

4 Rajoitettu takuu

Rajoitettu takuu ja välimiesmenettelysopimus (EMEA)

HUOMAUTUS: LUE TÄMÄ RAJOITETTU TAKUU JA VÄLIMIESSOPIMUS JA SÄILYÄ TÄMÄ SOPIMUS MYÖHEMPÄÄ TARVETTA VARTEN. TÄMÄ SOPIMUS SISÄLTÄÄ RAJOITETTUJA TAKUULAUSEKKEITA KULUTTAJILLE EUROOPASSA, LÄHI-IDÄSSÄ JA AFRIKASSA (EMEA) SEKÄ VÄLITYSLAUSEKKEITA NAVIMOWIN (TUOTE) OSALTA JA KAIKISTA TUOTTEeseen LIITTYVISTÄ JA/TAI SIITÄ JOHTUVISTA TAPAHTUMISTA.

TÄMÄ ON SITOVA OIKEUDELLINEN SOPIMUS (SOPIMUS), JONKA OSAPUOLET OVAT SINÄ (HENKILÖ TAI ENTITEETTI) JA VALMISTAJA (WILLAND), SEGWAY DISCOVERY BV. EMEA (SEGWAY) JA SEN TYTÄRYHTIÖT (MUKAAN LUKIEN MM. EMOYHTIÖ, TYTÄRYHTIÖT, OSAKKUYSHYTIÖT, EDELÄJÄT, SEURAAVAT YHTIÖT, PESÄNHOITAJA, SEURAAJAT, SIIRRONSAAJAT, TOIMIHENKILÖT, JOHTAJAT, ESIMIEHET, TYÖNTEKIJÄT, JÄSENET, OSAKKEENOMISTAJAT SEKÄ EDUSTAJAT, ASIAMIEHET, VAKUUTUKSENANTAJAT TAI JÄLLEENVAKUUTUKSEN ANTAJAT) (YHDESSÄ SEGWAY-OSAPUOLET), SEGWAY-JÄLLEENMYYJÄT (JÄLJEMPÄNÄ OLEVAN MÄÄRITELMÄN MUKAISESTI) JA NIIDEN TYTÄRYHTIÖT (YHDESSÄ SEGWAY-JÄLLEENMYYJÄT).

TUOTTEEN OSTAMINEN, TUOTEPAKKAUKSEN AVAAMINEN, TUOTTEEN KÄYTTÄMINEN, TUOTTEEN PITÄMINEN, TÄMÄN SOPIMUKSEN ETUJEN HYÖDYNTÄMINEN TAI TÄMÄN SOPIMUKSEN SÄHKÖISEN HYVÄKSYMINEN MUODOSTAVAT TÄMÄN SOPIMUKSEN HYVÄKSYMISEN. MIKÄLI OSTAT TÄMÄN TUOTTEEN VANHEMPANA TAI HUOLTAJANA LAPSEN PUOLESTA TAI LAPSELLE, HYVÄKSYT KAIKKI SOPIMUSEHDOT JA HYVÄKSYT, ETTÄ TÄMÄ SOPIMUS SITOO SEKÄ SINUA ETTÄ LASTA. TUNNUSTAT JA HYVÄKSYT, ETTÄ SAAT RIITTÄVÄN ILMOITUKSEN TÄSTÄ SOPIMUKSESTA JA HYVÄKSYT TÄMÄN SOPIMUKSEN.

Yhteystiedot
Tuotteen valmistaa Willand (Beijing) Technology Co., LTD. (WILLAND) ja jakelee Segway Discovery BV (Segway).

Merkitse tuotteen sarjanumero muistiin

Kirjoita tuotteen sarjanumero alla olevaan kenttään. Sarjanumero löytyy

lähetyspakkauksen ulkopuolelta tai tuotteen pohjasta.

Sarjanumero tähän

1. Rajoitettu takuu

Tämä rajoitettu takuu kattaa vain tuotteen ja sen komponenttien materiaalien tai laadun viat, kun tuotetta ja sen osia käytetään normaaleissa ja tavallisissa olosuhteissa. Jos tämän rajoitetun takuun kattama vika ilmenee, Segway ja/tai muut Segway-osapuolet korjaavat tai vaihtavat viallisen tuotteen tai sen osat tämän rajoitetun takuun mukaisesti oman harkintansa mukaan. Rajoitetun takuun sovellettava rajoitettu takuu-aika alkaa päivänä, jona tuote on ostettu joko Segwayltä, Segwayn valtuutetulta jälleenmyyjältä, Segwayn valtuutetulta jakelijalta tai valtuutetulta jälleenmyyjältä (kukin Segway-jälleenmyyjä tai yhdessä Segway-jälleenmyyjät).

	Komponentin nimi	Rajoitettu takuu-aika
Leikkurin runko	<ul style="list-style-type: none">Kehys Ajomoottori Terämoottori Leikkuukorkeusmoottori Ajolevyymoduuli CU-levymoduuli Latauslevymoduuli <ul style="list-style-type: none">Anturimoduuli IoT-kortti GPS-moduuli Hall-levy Led-levy Ultraäänimoduuli 868-antenni <ul style="list-style-type: none">GPS-antenni Terälevy GNSS-antenni	3 vuotta (H500E, H800E) <p>4 vuotta (H1500E, H3000E)</p>
Akku	<ul style="list-style-type: none">Akku	2 vuotta (H500E, H800E) <p>3 vuotta (H1500E, H3000E)</p>
Muut komponentit	<ul style="list-style-type: none">Virtalähde Latausliuskat Virtakaapeli Summeri <ul style="list-style-type: none">Sadetunnistin Ohjauspaneeli / painikkeet Stop-painike Yleispyörä <ul style="list-style-type: none">Antenniasennus-kokoonpano Kaikki kaapelit	1 vuosi
Komponentit, jotka voivat olla kuluvia	<ul style="list-style-type: none">Terä Koristekappale Tiiviste Tiivistysnauhat Nostokahvan suojus Yläkansi <ul style="list-style-type: none">Läpinäkyvä tynnyri Takalokasuoja Kumitulppa Latausasema Akun kansi Puskuri <ul style="list-style-type: none">Ultraäänikansi Tapit jatkojohdon kiinnittämistä varten	90 päivää

TÄMÄ RAJOITETTU TAKUU ON AINOA TUOTETTA JA SEN KOMPONENTTIOSIA, LISÄVARUSTEITA JA KORJAUKSIA KOSKEVA NIMENOMAINEN TAKUU. SEGWAY JA SEGWAY-OSAPUOLET KIISTÄVÄT KAIKKI MUUT NIMENOMAISET. SEGWAY JA MUUT SEGWAY-OSAPUOLET RAJOITTAVAT KAIKKIEN TAKUIDEN KESTOA JA KORJAUSTOIMENPITEITÄ, MUKAAN LUKIEN ILMAN RAJOITUKSIA LAKIIN, KAUPPAAN, SUORITUKSEEN, KAUPANKÄYNTIIN TAI MUUHUN PERUSTUVAT TAKUUT MYNTIKELPOISUUDESTA JA SOVELTUVUUDESTA TIETTYYN TARKOITUKSEEN TÄMÄN RAJOITETUN TAKUUN KESTOAIKAAN. TÄMÄ RAJOITETTU TAKUU EI MILLÄÄN TAVALLA VAIKUTA TAI RAJOITA LAKISÄÄTEISIÄ OIKEUKSIA, JOITA SINULLA VOI OLLA KULUTTAJANA ESIMERKIKSI VAATIMUSTENMUKAISUUDEN SUHTEEN.

2. Rajoitetun takuun huoltoprosessi

Segwayn verkkopalvelut ovat saatavilla osoitteessa navimow.segway.com. Tuotteen käytön aikana uskot, että tuote tai sen komponentti on viallinen ja/tai ei toimi oikein. LOPETA VÄLITTÖMÄSTI TUOTTEEN KÄYTTÖ JA SÄILYÄ TUOTETTA ASIANMUKAISESTI. TUOTTEEN KÄYTÖN JATKAMINEN TÄLLAISISSA OLOSUHTEISSA VOI AIHEUTTAA VAKAVIA RUUMIINVAMMOJA TAI JOPA KUOLEMAN SINULLE TAI MUILLE JA/TAI AIHEUTTAA OMAISUUSVAHINKOJA. Tämän jälkeen ota välittömästi yhteyttä Segwayhin osoitteessa support-navimow@rlm.segway.com. Segwayn tekninen tukihenkilöstö auttaa sinua verkossa tai puhelimitse vian diagnosoinnissa ja antaa tarvittaessa lisäohjeita. Jos takuuhuoltoa tarvitaan, valmistaudu esittämään seuraavat materiaalit mukaan lukien (i) todiste tuotteen alkuperäisestä ostosta Segway-jälleenmyyjiltä, (ii) tuotteen sarjanumero ja (iii) kuvaus virheestä, jos sovellettavissa. Kun olet todennut kelpoisuutesi rajoitettuun takuuseen ja/tai palveluihin, sinun tulee antaa nimesi, sähköpostiosoitteesi, postiosoitteesi ja ota yhteyttä puhelinnumeroon meitä, me opastamme sinua saamaan palvelumme.

Jos haluat palauttaa viallisen laitteen huoltoon, olet vastuussa lähetyskustannuksista ja menetys- ja vahinkoriskistä, joka voi ilmetä kuljetuksen aikana sinulta Segwaylle ja (ii) Segwayltä sinulle. Sinun on sisällytettävä viallinen tuotteesi tai komponenttisi alkuperäiseen tai Segwayn hyväksymään pakkaukseen, joka toimitetaan sinun kustannuksellasi, kun haluat lähettää tuotteen Segwaylle. Sinun on puolustettava, korvattava ja vapautettava Segway menetyksistä ja/tai vahingoista, jotka saattavat johtua tuotteen tai komponentin väärástä pakkaamisesta tai lähettämisestä Segwaylle.

Valtuutettu palveluntarjoaja tai Segway-jälleenmyyjä tarkastaa palautettavan tuotteen. Jos Segway kohtuudella päättää, että ongelma ei kuulu rajoitetun takuun piiriin, Segway ilmoittaa sinulle asiasta ja tiedottaa sinulle palveluista tai korvaavista vaihtoehdoista, jotka ovat käytettävissäsi maksua vastaan, tai Segway palauttaa tuotteen sinulle korjaamattomana, missä tapauksessa olet vastuussa toimitus- ja vakuutuskustannuksista, joita tuotteen lähettämisestä Segwayltä sinulle koituu. Siinä tapauksessa, että rajoitettu takuu ei kata mitään palveluita ja hylkää Segway-osapuolten ja/tai Segway-jälleenmyyjän suositteleman maksullisen palvelun, ymmärrät ja tunnustat, että tuotteen korjaamisen ja/tai huoltamisen laiminlyönti voi lisätä tuotteen putoamisen ja/tai vikaantumisen riskiä, mikä voi johtaa vakaviin omaisuusvahinkoihin, vakaviin ruumiinvammoihin tai kuolemaan, ja hyväksyt, että otat tällaisen riskin tietoisesti. Palautusta varten, joka on oikeutettu takuuseen ja/tai palveluihin, Segway korvaa vialliset tuotteet uusilla tai kunnostetuilla osilla, jotka ovat samanlaisia tai samankaltaisia, maksutta sinulle palvelusta. Segwayn korvaamat osat säilytetään ja niistä tulee Segwayn omaisuutta. Tällaisessa tilanteessa Segway maksaa kohtuulliset palautuskuljetukset tuotteen palauttamisesta sinulle.

3. Rajoitetun takuun kelpoisuus

3.1 Segwayn on vastaanotettava palvelupyyntösi edellä kuvatun rajoitetun takuuajan kuluessa, ja Segwayn on vastaanotettava tuotteesi edellä määritellyn rajoitetun takuuhuoltoprosessin mukaisesti.

3.2 Tuotteesi on ostettava valtuutetulta Segway-jälleenmyyjältä.

3.3 Sinun on toimitettava alkuperäinen ostokuitti.

3.4 Tuotteesi sarjanumeron on oltava luettavissa, selkeä, peukaloimaton ja muokkaamaton.

3.5 Kaikkien väärinkäytön kestävien sinettien on oltava ehjät, paikallaan ja muokkaamattomat.

4. Rajoitetun takuun poissulkemiset

Tämä rajoitettu takuu kuvaa sinulle saatavissa olevan palvelun, jos tuotteesi vaatii takuuhuoltoa, ja sinulla saattaa olla paikallisten lakien mukaisia lisäsuojauksia. Tämä rajoitettu takuu ei kata ja sulkee pois tuotteen tai sen osien vahingot, joiden syynä on:

4.1 Väärinkäyttö, huolimattomuus, laiminlyönti tai kaupallinen käyttö.

4.2 Tuotteen virheellinen lataaminen, varastointi, huolto tai käyttö, joka ei noudata käyttäjän materiaaleissa annettuja ohjeita tai rajoituksia.

4.3 Tuotteen käyttö sovellettavien lakien ja asetusten vastaisesti.

4.4 Tuotteen käyttö henkilöiden, joilla ei ole riittävää kokemusta, toimesta.

4.5 Onnettomuus, törmäys, palovahinko, vesivahinko, kemiallinen vahinko, tuotteen käyttäminen sen käyttölämpötila-alueen ulkopuolella, korkeapainevesisuihku, maanjäristys, putoaminen.

4.6 Mekaanisten osien, elektronisten osien tai tuotteeseen upotettujen ohjelmistojen muutokset.

4.7 Valtuuttamattomien palveluntarjoajien suorittama huolto, korjaus ja kunnossapito.

4.8 Kosmeettiset vauriot.

4.9 Tuotteen käyttö kolmannen osapuolen tuotteen, komponentin tai lisävarusteen kanssa.

4.10 Kuluvien osien normaali heikkeneminen.

4.11 Tuotteen käyttö liian kuluneiden osien kanssa.

5. VASTUUVAPAUCLAUSEKE JA RAJOITUS

5.1 SEGWAY-OSAPUOLET EIVÄT KOSKAAN SITOUDU TAI VALTUUTE KETÄÄN SITOUTUMAAN PUOLESTAAN MIHINKÄÄN MUUHUN VELVOISUUTEEN TUOTTEEN, SEN KOMPONENTTIOSIEN, LISÄVARUSTEIDEN, PALVELUKORJAUKSIEN TAI TÄMÄN RAJOITETUN TAKUUN SUHTEEN.

5.2 SEGWAY-OSAPUOLET JA SEGWAY-JÄLLEENMYYJÄT EIVÄT OLE VASTUUSSA TUOTTEEN, SEN KOMPONENTTIEIN TAI LISÄVARUSTEIDEN KÄYTTÖMAHDOLLISUUDEN MENETTÄMISESTÄ TAI MISTÄÄN MENETYKSESTÄ, VAHINGOSTA TAI HAITASTA, JOKA VOI JOHTUA VIASTA TUOTTEESSA, SEN VIALLISESSA KOMPONENTISSA, LISÄVARUSTEESSA TAI HUOLTOKORJAUKSESSA TAI MUUSTA SATUNNAISESTA TAI VÄLILLISESTÄ VAHINGOSTA, JOKA VOI OLLA SEURAUKSENA TUOTTEEN, SEN OSIEN, LISÄVARUSTEIDEN TAI HUOLTOKORJAUKSEN VIASTA. JOTKUT MAAT EIVÄT SALLI SATUNNAISTEN TAI VÄLILLISTEN VAHINKOJEN POISSULKEMISTA TAI RAJOITTAMISTA, JOTEN EDELLÄ MAINITTU RAJOITUS TAI POISSULKEMINEN EI VÄLTÄMÄTTÄ KOSKE SINUA SIINÄ MÄÄRIN KUIN SOVELLETTAVA LAKI EI SALLI STIÄ.

5.3 SEGWAY-OSAPUOLTEN JA SEGWAY-JÄLLEENMYYJÄN KOKONAIS- JA YHTEISVASTUU KAIKKIEN SOVELLETTAVIEN LAKIEN TAI TEORIOIDEN MUKAISISTA VAATIMUKSISTA YHDESSÄ TAI ERIKSEEN, JOTKA JOHTUVAT TAI LIITTYVÄT TUOTTEEN OSTAMISEEN, TUOTTEEN KÄYTTÄMISEEN, SOPIMUSRIKKOMUKSEEN, LOUKKAUKSEEN (HUOLIMATTOMUUS MUKAAN LUKIEN) TAI MUUHUN, EI MISSÄÄN TAPAUKSESSA YLITÄ VLEVOLLISUUTTA KORJATA TAI VAIHTAA VIRHEELLISTÄ TUOTETTA SEGWAYN OMAN JA YKSINOMAISEN HARKINNAN MUKAAN. SEGWAY-OSAPUOLET JA SEGWAY-JÄLLEENMYYJÄT EIVÄT MISSÄÄN TAPAUKSESSA OLE VASTUUSSA KENELLEKÄÄN VÄLILLISISTÄ, EPÄSUORISTA, SATUNNAISISTA, ERITYISISTÄ, VAROITAVISTA, RANKAISEVISTA TAI PARANNETUISTA VAHINGOISTA, JOTKA SYNTYVÄT TAI LIITTYVÄT TUOTTEESEEN OSTAMISEEN JA/TAI OVAT YHTEYDESSÄ SIIHEN, MIHINKÄÄN TÄMÄN SOPIMUKSEN RIKKOMUKSEEN TAI VALMISTAJAN VELVOLLISUUDET, RIIPPUMATTA SIITÄ, (A) OLIVATKO TÄLLAISET VAHINGOT ENNAKOITAVISSA, (B) RIIPPUMATTA SIITÄ, OLIKO SEGWAYLLE TAI MUILLE SEGWAY-OSAPUOLILLE ILMOITETTU TÄLLAISTEN VAHIINKOJEN MAHDOLLISUUDESTA, JA (C) OIKDEUDELLISESTA TAI TASAPUOLISESTA TEORIASTA (SOPIMUS, OIKEUDEN LOUKKAUS TMS.), JOHON VAATIMUS PERUSTUU, ELLEI SOVELLETTAVA LAKI KIELLÄ TÄLLAISIA RAJOITUKSIA JA POISSULKEMISIA. YLLÄ OLEVAT RAJOITUKSET TAI POIKKEUKSET OVAT VOIMASSA SILLOINKIN, JOS LOUKATUN ASIAKKAAN TAI MUUN HENKILÖN (JOLLA VOI OLLA TÄMÄN SOPIMUKSEN MUKAINEN OIKEUS LAIN NOJALLA) TÄMÄN SOPIMUKSEN MUKAISET KORVAUKSET EIVÄT TÄYTÄ OLENNAISTA TARKOITUSTAAN. MIKÄLI ERÄÄT MAAT EIVÄT SALLI TIETTYJEN TAI KAIKKIEN EDELLÄ MAINITTUJEN VAHINKOJEN POISSULKEMISTA TAI RAJOITTAMISTA, SIINÄ MÄÄRIN KUIN LAKI EI SALLI TÄLLAISIA RAJOITUKSIA TAI POISSULKEMISIA, NE EIVÄT VÄLTÄMÄTTÄ KOSKE SINUA. ERÄÄT MAAT EIVÄT SALLI SATUNNAISTEN TAI SEURAAVIEN VAHINKOJEN POISSULKEMISTA TAI RAJOITTAMISTA, JOTEN SIINÄ MÄÄRIN KUIN LAKI EI SALLI TÄLLAISIA RAJOITUKSIA TAI POISSULKEMISIA, YLLÄ OLEVA RAJOITUS TAI POISSULKEMINEN EI VÄLTÄMÄTTÄ KOSKE SINUA.

5.4 Sovellettavan lain sallimissa rajoissa SEGWAY-OSAPUOLET ja SEGWAY-JÄLLEENMYYJÄT KIELTÄVÄT kaiken vastuun eivätkä siten ole vastuussa mistään vahingoista, mukaan lukien mm. kuolema, ruumiinvammat tai omaisuusvahingot, jotka johtuvat tai liittyvät mihinkään minkä tahansa valtuutetun tai luvattoman jälleenmyyjän, jakelijan, tukkumyyjän, vähittäismyyjän, palveluntarjoajan tai kolmannen osapuolen käyttäytymiseen (mukaan lukien väärinkäytökset), toimintaan, toimettomuuteen, tekoon (mukaan lukien laiminlyönti), laiminlyöntiin tai huolimattomuuteen, joka liittyy tuotteen tai sen palveluiden toimittamiseen. Sovellettavan lain sallimissa rajoissa tässä esitetyt mahdolliset nimenomaiset sitoumukset ja takuut ovat ainoat takuut ja sitoumukset, jotka SEGWAY-OSAPUOLET antaneet tehneet sinulle, kaikille kuluttajille ja/tai loppukäyttäjälle, ja SEGWAY-OSAPUOLET eivät ole vastuussa mistään muista takuista ja/tai sitoumuksista, jotka toinen henkilö on saattanut antaa ja/tai tarjota, elleivät SEGWAY-OSAPUOLET ole kirjallisesti nimenomaisesti valtuuttaneet tällaisen lisätakuun ja/tai sitoumuksen antamista kuluttajalle tai loppukäyttäjälle.

6. Vaatimukset, riitojen ratkaisu ja välimiesmenettely

OHEISET PYKÄLÄT SITOVAT OIKEUDELLISESTI SINUA (HENKILÖ TAI ENTITEETTI) JA SEGWAY DISCOVERY BV: -YHTIÖTÄ, SEN TYTÄRYHTIÖITÄ, SEGWAY-OSAPUOLIA JA SEGWAY-JÄLLEENMYYJIÄ. OHEISET PYKÄLÄT VOIVAT VAIKUTTAА OIKEUKSIISI, JA SINUN VASTUULLASI ON LUKEA SEURAAVAT OSAT. VOIT VETÄYTYÄ SOPIMUKSESTA 30 KALENTERIPÄIVÄN KULUESSA ENSIMMÄISESTÄ KULUTTAJAN HANKINNASTA LÄHETTÄMÄLLÄ SÄHKÖPOSTIA OSOITTEESEEN OPTOUT@SEGWAY.COM JA ILMOITTAMALLA ASIANMUKAISET TIEDOT. LISÄTIETOJA: KATSO OSA 6.2.

6.1 Sitova välimiesmenettely

Segway-osapuolet, Segway-jälleenmyyjät ja sinä hyväksytte, että kaikkia tähän sopimukseen, rajoitettuun takuuseen, tuotteen myyntiin, kuntoon tai suorituskykyyn liittyvät sopimukseen perustuvat, sopimukseen perustumattomat, petokseen tai petokseen liittyviä tai niistä johtuvia riitoja, kiistoja tai väitteitä, mukaan lukien mm. vaatimukset kuoleman, loukkaantumisen tai omaisuuden vahingonkorvauksesta, hallitaan ja tulkitaan Alankomaiden lainsäädännön mukaisesti, lukuun ottamatta lain ehtojen ristiriitoja, ja ne ratkaisee lopullisesti Kansainvälinen kauppakamari (ICC) tämänhetkisten voimassa olevien kansainvälisen rikostuomioistuimen vuoden 2021 välimiesmenettelysääntöjen (ICC Rules) mukaisesti, joiden sääntöjen katsotaan sisältyvän tähän lausekkeeseen viitaten. Lisäksi osapuolet sopivat, että:

i. Välimiesoikeus sijaitsee Amsterdamissa Alankomaissa.

ii. Tuomioistuimessa on 3 välimiestä.

iii. Välimiesmenettelyn kieli on englanti.

Osa 6 "Vaatimukset, riitojen ratkaisu ja pakollinen välimiesmenettely" -lauseke säilyy tämän sopimuksen ja/tai rajoitetun takuun päättyessä tai päättyessä tai siinä tapauksessa, että tämä sopimus ja/tai rajoitettu takuu katsotaan mitättömäksi, vältettävissä olevaksi, pätemättömäksi tai täytöntöönpanokelvottomaksi joko kokonaan tai osittain toimivaltaisessa ratkaisulaitoksessa, jolla on tosiasiallinen valta ja toimivalta tässä asiassa.

6.2 Kieltäytyminen

VOIT KIELTÄYTYÄ TÄSTÄ RIIDANRATKAISUMENETTELYSTÄ ANTAMALLA ILMOITUKSEN SEGWAYLLE tai SEGWAY-OSAPUOLILLE VIIMEISTÄÄN KOLMENKYMMENEN (30) KALENTERIPÄIVÄN KULUESSA SIITÄ, KUN KULUTTAJA ON OSTANUT TUOTTEEN. KIELTÄYTYMISTÄ VARTEN LÄHETTÄÄ ILMOITUS SÄHKÖPOSTIOSOITTEESEEN OPTOUT@SEGWAY.COM AIHERIVILLÄ: "ARBITRATION OPT-OUT". SÄHKÖPOSTITSE LÄHETETTÄVÄN KIELTÄYTYMISILMOITUKSEN TÄYTYY SISÄLTÄÄ (A) NIMI, SÄHKÖPOSTIOSOITE, POSTIOSOITE JA PUHELINNUMERO, (B) TUOTTEEN OSTOPÄIVÄMÄÄRÄ, (C) TUOTEMALLIN NIMI TAI MALLINUMERO JA (D) SARJANUMERO. VAIHTOEHTOISESTI VOIT KIELTÄYTYÄ LÄHETTÄMÄLLÄ KIELTÄYTYMISILMOITUKSEN SEGWAYLLE osoitteeseen Dynamostraat 7, 1014BN, Amsterdam, The Netherlands. REKISTERÖITY KIRJE KOLMENKYMMENEN (30) KALENTERIPÄIVÄN KULUESSA SIITÄ, KUN ENSIMMÄINEN LOPPUKÄYTTÄJÄ ON OSTANUT TUOTTEEN SEGWAY-JÄLLEENMYYJÄLTÄ. KIELTÄYTYMISKIRJEEN TÄYTYY SISÄLTÄÄ SEURAAVAT TIEDOT: (A) NIMI, SÄHKÖPOSTIOSOITE, POSTIOSOITE JA PUHELINNUMERO, (B) TUOTTEEN OSTOPÄIVÄMÄÄRÄ, (C) TUOTEMALLIN NIMI TAI MALLINUMERO, (D) SARJANUMERO JA (E) SEURAAVA ILMOITUS: THE ABOVE CONSUMER ELECTS TO OPT-OUT THE DISPUTE RESOLUTION PROCEDURE AS PROVIDED BY THIS LIMITED WARRANTY, THESE ARE THE ONLY TWO EFFECTIVE WAYS TO OPT-OUT THIS DISPUTE RESOLUTION PROCEDURE. ELECTION TO OPT-OUT THIS DISPUTE RESOLUTION PROCEDURE WILL NOT AFFECT THE COVERAGE OF THE LIMITED WARRANTY IN ANY WAY, AND YOU WILL CONTINUE TO ENJOY THE BENEFITS OF THE LIMITED WARRANTY.

6.3 Kieli

Tämä sopimus voidaan kääntää eri kielille. Ristiriitatapauksissa englanninkielinen versio on ensisijainen ja johtava.

5 ALKUPERÄISEN VAATIMUSTENMUKAISUUSVAKUUTUKSEN KÄÄNNÖS

Valmistaja

Nimi: Willand (Beijing) Technology Co., LTD.

Osoite: Room 203, A1 Bldg. Zhongguancun Dongsheng Technology Park (Northern Territory), No. 66, Xixiaokou Rd, Haidian Dist., Beijing, China

Valtuutettu edustaja

Nimi: Segway Discovery BV

Osoite: Dynamostraat 7, 1014BN Amsterdam, Alankomaat

Ilmoituksen kohde

Yleinen nimitys: Robottiruohonleikkuri

Tuotteen nimi: Navimow

Tyyppi/malli: H500E/H800E/H1500E/H3000E

Sarjanumero: S2RA x yyyy x yyyy/S2RC x yyyy x yyyy/S2RE x yyyy x yyyy/S2RT x yyyy x yyyy

("X" tarkoittaa mitä tahansa kirjainta A–Z lukuun ottamatta O:ta ja I:tä, "y" tarkoittaa mitä tahansa kirjainta A–Z paitsi O:ta ja I:tä tai mitä tahansa numeroa 0–9)

Tämä vaatimustenmukaisuusvakuutus on annettu yksinomaan valmistajan vastuulla.

Edellä kuvattu vakuutuksen kohde on seuraavien EU-direktiivien mukainen:

- Radiolaitedirektiivi (2014/53/EU)
- Konedirektiivi (2006/42/EY)
- RoHS-direktiivi (2011/65/EU) ja muutosdirektiivi ((EU) 2015/863)

Tämän tuotteen yhteensopivuus näiden direktiivien kanssa on arvioitu osoittamalla, että noudatetaan seuraavia yhdenmukaistettuja standardeja ja/tai teknisiä tietoja:

EN 60335-1:2012+A11:2014+AC:2014+A13:2017+A1:2019+A14:2019+A2:2019

EN 50636-2-107:2015+A1:2018+A2:2020

EN IEC 61000-3-2:2019+A1:2021

EN 61000-3-3:2013+A1:2019

EN IEC 55014-1:2021

EN IEC 55014-2:2021

ETSI EN 300 220-1 V3.1.1

ETSI EN 300 220-2 V3.1.1

ETSI EN 300 328 V2.2.2

ETSI EN 303 413 V1.1.1

EN 50665:2017

EN 62133-2:2017

ETSI EN 301 908-1 V13.1.1

ETSI EN 301 908-13 V13.1.1

ETSI EN 301 489-1 V2.2.3

ETSI EN 301 489 - 3 V2.2.0

ETSI EN 301 489-17 V3.2.4

ETSI EN 301 489-19 V2.1.1

ETSI EN 301 489-52 V1.2.1

ETSI EN 301 511 V12.5.1

EN IEC 62311:2020

EN IEC 63000:2018

Allekirjoitettu seuraavien puolesta: Willand (Beijing) Technology Co., LTD.

Paikka: Changzhou, Kiina

Nimi: Crystal Zhuang

Allekirjoitus: *Crystal Zhuang*

Päiväys: 22-02-2022

Tehtävä: Certification Manager

6 Sertifioinnit

European Union Compliance Statement

Tietoja sähkö- ja elektroniikkalaiteromun hävittämisestä



Tämä symboli tuotteessa tai sen pakkauksessa osoittaa, että käytettyjä sähkö- ja elektroniikkatuotteita ei saa sekoittaa lajittelemattoman yhdyskuntajätteen kanssa. Asianmukaisen käsittelyn varmistamiseksi on sinun vastuullasi hävittää jätelaitteesi järjestämällä niiden palauttaminen määriteltyihin keräyspisteisiin.

Tämän tuotteen asianmukainen hävittäminen auttaa säästämään arvokkaita resursseja ja estämään mahdolliset kielteiset vaikutukset ihmisten terveyteen ja ympäristöön, joita muuten voi aiheutua epäasianmukaisesta jätteenkäsittelystä.

Jos haluat palauttaa käytetyn laitteen, käytä palautus- ja keräysjärjestelmiä tai ota yhteyttä jälleenmyyjään, josta tuote on ostettu. Maksuton. Ota yhteyttä paikalliseen viranomaiseen saadaksesi lisätietoja lähimmästä keräyspisteestäsi.

Tämän jätteen virheellisestä hävittämisestä voidaan määrätä seuraamuksia kansallisen lainsäädännön mukaisesti.

Tietoja käytettyjen paristojen hävittämisestä



Tämä symboli tarkoittaa, että paristoja ja akkuja ei saa niiden käyttöänsä jälkeen sekoittaa lajittelemattoman yhdyskuntajätteen kanssa. Osallistumisesi on tärkeä osa pyrkimyksiä minimoida paristojen ja akkujen ympäristö- ja terveysvaikutukset.

Asianmukaista kierrätystä varten voit palauttaa tämän tuotteen tai sen sisältämät paristot tai akut toimittajallesi tai määritettyyn maksuttomaan keräyspisteeseen.

Tämän tuotteen asianmukainen hävittäminen auttaa säästämään arvokkaita resursseja ja estämään mahdolliset kielteiset vaikutukset ihmisten terveyteen ja ympäristöön, joita muuten voi aiheutua epäasianmukaisesta jätteenkäsittelystä.

Tämän jätteen virheellisestä hävittämisestä voidaan määrätä seuraamuksia kansallisen lainsäädännön mukaisesti.

Käytettyjä paristoja ja akkuja varten on erilliset keräysjärjestelmät.

Hävitä paristot ja akut oikein paikallisessa jätteiden keräys-/kierrätyskeskuksessa.

Tiettyjen vaarallisten aineiden käytön rajoittamista koskeva direktiivi (RoHS)

Willand (Beijing) Technology Co., LTD. vakuuttaa täten, että koko tuote, mukaan lukien osat (kaapelit, johdot jne.), täyttää RoHS-direktiivin 2011/65/EU ja komission delegoidun direktiivin (EU) 2015/863 vaatimukset tiettyjen vaarallisten aineiden käytön rajoittamisesta sähkö- ja elektroniikkalaitteissa ("RoHS-uudelleenlaadinta" tai "RoHS 2.0").

Radiolaitedirektiivi

Willand (Beijing) Technology Co., LTD. vakuuttaa täten, että tässä osassa lueteltu tuote on radiolaitedirektiivin 2014/53/EU olennaisten vaatimusten ja muiden asiaankuuluvien määräysten mukainen.

Konedirektiivi

Willand (Beijing) Technology Co., LTD. vakuuttaa täten, että tässä osassa lueteltu tuote on konedirektiivin 2006/42/EY olennaisten vaatimusten ja muiden asiaankuuluvien määräysten mukainen.

Valtuutettu edustaja Euroopassa:



Segway Discovery B.V. Dynamostraat 7, 1014BN Amsterdam, Alankomaat.

Willand (Beijing) Technology Co., LTD. vakuuttaa täten, että tuote on RoHS-direktiivin 2011/65/EU, muutetun komission delegoidun direktiivin (EU) 2015/863, radiolaitedirektiivin 2014/53/EU ja konedirektiivin 2006/42/EY olennaisten vaatimusten ja muiden asiaankuuluvien määräysten mukainen.

Bluetooth	Taajuusalueet	2,4000–2,4835GHz
	Maks. RF-virta	20 mW

7 Yhteydenotto

Valmistaja: Willand (Beijing) Technology Co., LTD.

Osoite: Room 203, A1 Bldg. Zhongguancun Dongsheng Technology Park (Northern Territory), No. 66, Xixiaokou Rd, Haidian Dist., Beijing, China

Ota yhteyttä, jos sinulla on ongelmia leikkurin käyttöön, kunnossapitoon ja turvallisuuteen tai sen virheisiin/vikoihin liittyen.

Valtuutettu edustaja Euroopassa: Segway Discovery BV, Dynamostraat 7, 1014BN Amsterdam, Alankomaat.

Valtuutettu edustaja: Segway Discovery B.V., Hogehilweg 8 - 6th Floor, 1101CC Amsterdam, The Netherlands.

Verkkosivusto: navimow.segway.com

EN	Important Information	2
DE	Wichtige Informationen	20
FR	Informations importantes	36
IT	Informazioni importanti	52
NL	Belangrijke informatie	68
SV	Viktig information	84
FI	Tärkeitä tietoja	100
NO	Viktig informasjon	116
DA	Vigtig information	132

Innholdsfortegnelse

1	Sikkerhetsadvarsler	117
2	Deler og funksjoner	120
3	Vedlikehold	122
4	Begrenset garanti	125
5	OVERSETTELSE AV DEN OPPRINNELIGE SAMSVARSERKLÆRING	129
6	Sertifiseringer	130
7	Kontakt oss	130
	Oversettelse av de originale instruksjonene	

Valmistaja pidättää oikeuden tehdä muutoksia tuotteeseen, julkaista laiteohjelmistopäivityksiä ja päivittää tämän käyttöoppaan milloin tahansa. Tuotteen, lisävarusteiden ja sovelluksen käyttöliittymän kuvat ovat vain viitteellisiä. Todellinen tuote ja toiminnot voivat vaihdella. Siirry osoitteeseen navimow.segway.com saadaksesi täydellisen käyttöoppaan ja oikeudellisen lausunnon.

Les og forstå alle sikkerhetsadvarsler og vedlikeholdsmetoder før bruk.
IKKE kast denne håndboken, da den er en permanent del av dette produktet.

1 Sikkerhetsadvarsler

VIKTIG

LES NØYE FØR BRUK

OPPBEVAR FOR FREMTIDIG REFERANSE

- 1) Sørg for å installere og bruke Navimow (referert til som gressklipperen i manualen) og ladestasjonen i henhold til instruksjonene. Gå til navimow.segway.com for den komplette brukerhåndboken og de nyeste brukermaterialene.
- 2) Produktet kan brukes både av forbrukere og til profesjonelle formål. Bruk av gressklipperen til andre formål enn klipping kan medføre alvorlig personskade. Les og forstå alle advarslene og forsiktighetsreglene for å unngå risiko for skader. Vær oppmerksom på at du kan redusere risikoen ved å følge instruksjonene og advarslene i denne håndboken, men du kan ikke eliminere alle risikoer. Operatøren eller brukeren er ansvarlig for ulykker eller farer som oppstår for andre mennesker på sin eiendom.
- 3) Navimow har mange innebygde sikkerhetssensorer, men det er fortsatt en sikkerhetsrisiko. Sett en klippetid når det ikke er mennesker eller kjæledyr på plenen. Informer naboene om risikoen for ulykker eller farer. Når du bruker gressklipperen på en offentlig plen, eller når plenen din kan nås av naboen eller fra gaten, må du beskytte eller inngjerde plenen, eller sette opp advarselsskilt rundt arbeidsområdet med teksten: ADVARSEL! Automatisk gressklipper! Hold deg borte fra maskinen! Overvåke barn!
- 4) IKKE modifier gressklipperen selv. Modifikasjoner kan forstyrre gressklipperen, føre til alvorlig person- og/eller eiendomsskade, eller annullere den begrensede garantien. Bruk bare deler og tilbehør som er godkjent av Segway.
- 5) Produsenten anbefaler at brukeren er 18–70 år gammel. Sørg for å få den nødvendige opplæringen før du bruker maskinen.

⚠ ADVARSEL

La aldri barn, personer med nedsatt fysisk, sensorisk eller mental evne eller mangel på erfaring og kunnskap, eller personer som ikke er kjent med disse instruksjonene, bruke maskinen. Lokale forskrifter kan begrense operatørens alder.

Før klipping:

- Sjekk regelmessig at alle deler av gressklipperen fungerer normalt.
- For å få de beste klipperesultatene, anbefales det å klippe i tørt vær. Klipping i regn kan få gresset til å feste seg på produktet, og gressklipperen kan skli. IKKE klippe i dårlig vær, som kraftig regn, tordenvær eller snø.
- Inspiser med jevne mellomrom området der maskinen skal brukes, og fjern alle steiner, pinner, ledninger, bein og andre fremmedlegemer. Den begrensede garantien dekker ikke skader forårsaket av gjenstander som ligger igjen på plenen.
- For å unngå mulig skade, hold gressklipperen minst 1 m (3 fot) unna sprinklerhoder. Gressklipperen og sprinkleren skal IKKE fungere samtidig. Planlegg tid for gressklipperen slik at den fungerer på et annet tidspunkt enn sprinkleren.
- La ALDRI barn berøre strømforsyningsenheten, ladestasjonen, bladene, batterirommet eller deler med hull som hjulene.

⚠ ADVARSEL

Bruk aldri maskinen og/eller tilleggsutstyret med defekte beskyttere eller skjermer, eller hvis ledningen er skadet eller slitt.

Når du klipper:

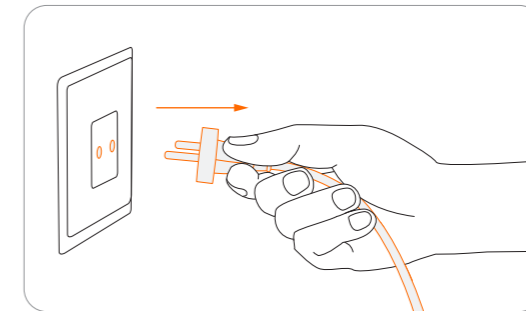
- Hold deg borte fra de roterende bladene! IKKE sett hender eller føtter under eller i nærheten av de roterende bladene.
- Se opp for kastede gjenstander! Hold sikker avstand fra gressklipperen når du bruker den.
- IKKE la maskinen gå uten tilsyn hvis du vet at det er kjæledyr, barn eller mennesker i nærheten.
- IKKE overstrekk. Hold balansen hele tiden, og vær alltid sikker på fotfeste på bakker. Gå, aldri løp mens du bruker maskinen eller de eksterne enhetene.

⚠ ADVARSEL

- IKKE la barn være i nærheten av eller leke med maskinen når den er i drift.
- IKKE løft gressklipperen i drift. IKKE ri på gressklipperen.
- IKKE klippe på områder med brattere skråninger enn den maksimale stigningen i arbeidsområdet (45 %), så vel som grensen (10 %).
- Hvis gressklipperen lager en unormal lyd eller signaliserer en alarm, trykker du STOP-knappen umiddelbart.
- Hvis det er unormale vibrasjoner, må du slå av gressklipperen, plassere den på plant underlag i omtrent 30 sekunder og deretter starte på nytt. Hvis problemet vedvarer, ta kontakt med ettersalgsservice.
- IKKE berør farlige deler i bevegelse før de har stoppet helt.

Sikker bruk:

- IKKE bruk gressklipperen utenfor temperaturgrensene: -10–50 °C (14–122 °F), fordi lave/høye temperaturer kan redusere klippeytelsen og til og med føre til ulykker.
- IKKE plasser noe på gressklipperen eller ladestasjonen.
- Det anbefales å utføre regelmessig vedlikehold av gressklipperen (se *Vedlikehold*) av en voksen.
- Kontroller advarselenhetene regelmessig for å sikre at de virker. Disse enhetene inkluderer summer, LED-lys på ladestasjonen og omgivelseslyset på gressklipperen.
- Før lading, les *Slik lader du* i Brukerveiledningen. Feil bruk kan føre til elektrisk støt, overoppheting eller lekkasje av etsende væske.
- Hvis ledningen på strømforsyningen eller skjøteledningen blir skadet eller viklet inn under bruk, koble strømforsyningen fra stikkkontakten og løsne den deretter. For å unngå fare må du trekke i støpselet i stedet for ledningen når du skiller strømforsyningen fra stikkkontakten. Kontakt ettersalgsservice og få en profesjonell tekniker til å reparere eller bytte ledningen.



Symboler og avtrekksbilder

Vennligst studer symbolene på produktet og etikettene nøye og forstå deres betydning:



⚠ ADVARSEL - Les bruksanvisningen før du bruker maskinen.



⚠ ADVARSEL - Ikke berør roterende blad.



⚠ ADVARSEL - Hold sikker avstand fra maskinen når du bruker den.



⚠ ADVARSEL - Ikke ri på maskinen.



⚠ Bruk deaktiveringsenheten før du arbeider på eller løfter maskinen*.
*Kontroller at gressklipperen er låst med PIN-koden før du løfter eller bruker den.



⚠ ADVARSEL - Det er ikke tillatt å kaste dette produktet som vanlig husholdningsavfall. Forsikre deg om at produktet resirkuleres i samsvar med lokale lovkrav.



Dette produktet er i samsvar med gjeldende EF-direktiver.

RoHS

Dette produktet er i samsvar med forskriftene om begrensning av farlige stoffer.



Les instruksjonene før lading.



Dette produktet er i samsvar med gjeldende lovgivning i Storbritannia.



Polariteten til ladeporten



Klasse II apparat



SMPS inneholder en kortslutningssikker sikkerhetsisolerende transformator (iboende eller ikke-iboende)



SMPS (brytermodus strømforsyningsenhet)



DoE Level VI effektivitet



Maksimal brukshøyde er 5000 m

IP55/IP66

IP55/IP66

ta: 40°C

Maksimal brukstemperatur er 40°C



Likestrøm



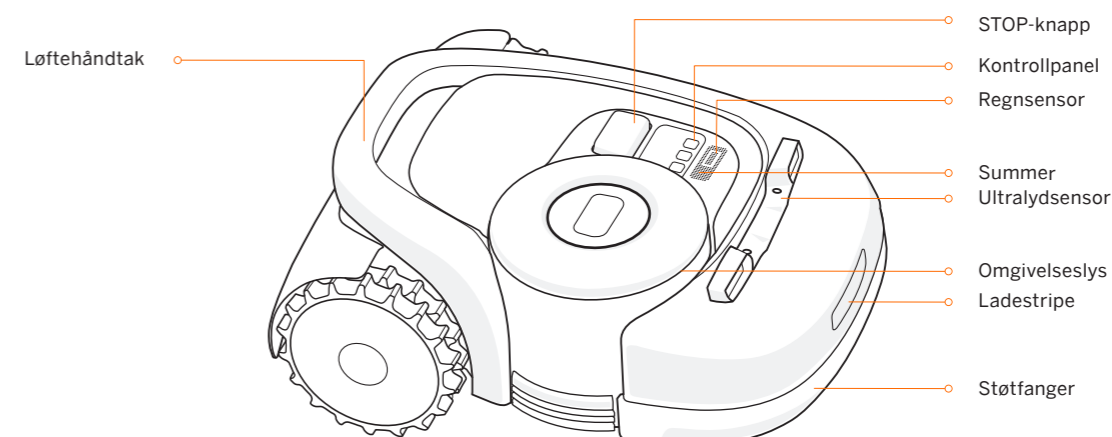
Vekselstrøm



Klasse III-apparat

2 Deler og funksjoner

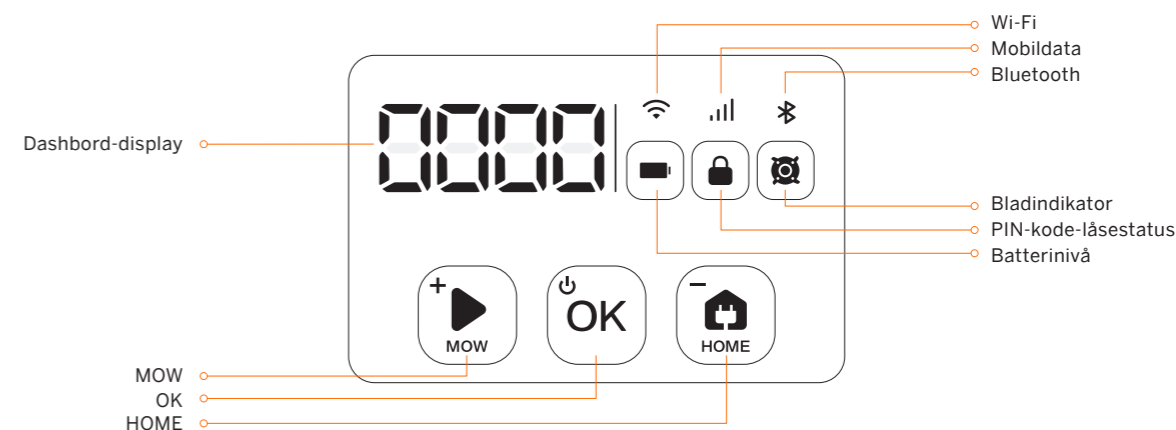
Sett ovenfra



Omgivelseslys: Når det oppstår noe unormalt, blinker LED-ringen rødt sammen med en summerringelyd.

Ultralydsensor: Enkelte modeller er utstyrt med en ultralydsensor. Sensoren selges også separat og kan installeres på alle Navimow-modeller. Kontakt forhandleren din for mer informasjon.

Kontrollpanel



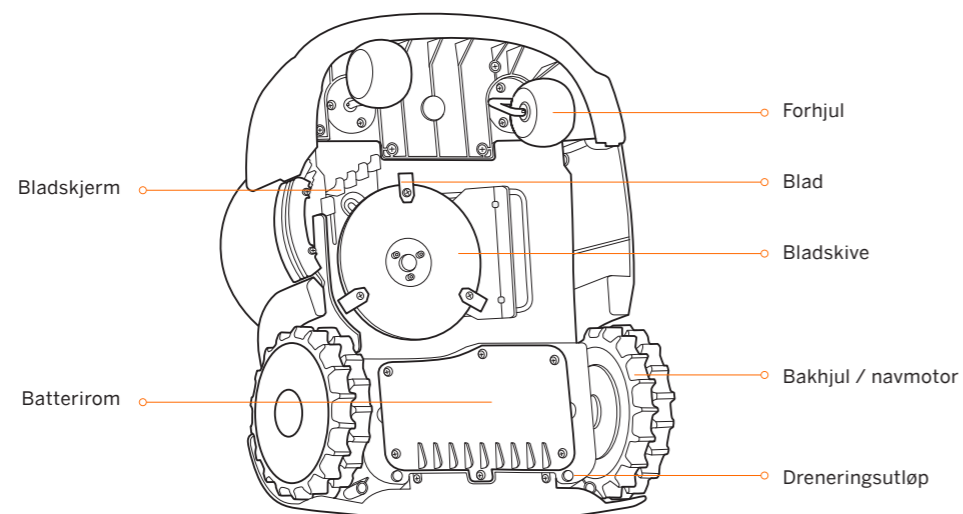
Batterinivå: Fargen indikerer batterinivået: 50%–100% grønt, 20%–49% gult, 5%–19% rødt, ≤ 5 % rødt blinkende. Når batteriikonet er rødt, må gressklipperen lades.

Dashbord-display: Viser klippeprosentdel, PIN-kode, feilkode osv.

PIN-kode: Før du bruker gressklipperen manuelt, må du oppgi PIN-koden. Standardkoden er 0000, og kan endres via Navimow-appen (referert til som appen i denne håndboken). Trykk MOW/HOME for å øke/minske sifferet, og trykk OK for å bekrefte koden.

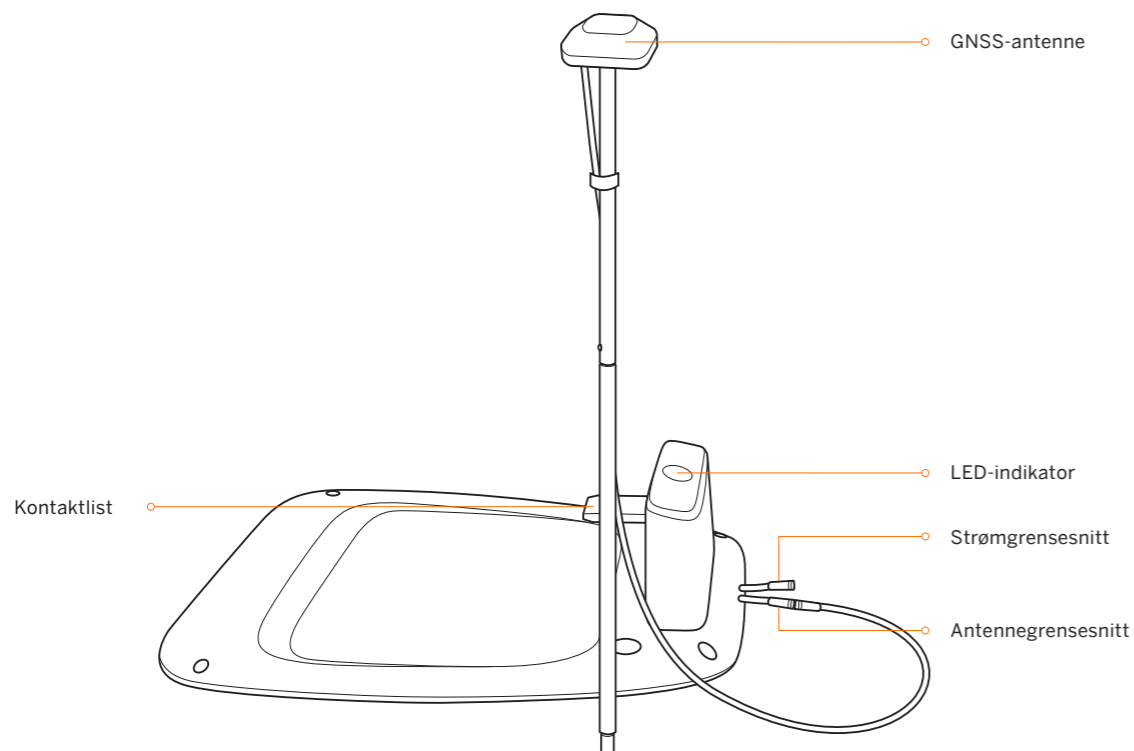
Grunnleggende operasjoner

- Strøm på: Trykk på OK.
- Strøm av: Trykk og hold OK i 4 sekunder, eller slå av via appen. Gressklipperen kan ikke slås av når den er på ladestasjonen.
- Begynn å klippe: Trykk MOW og deretter OK.
- Stopp drift av gressklipperen: Trykk på STOP.
- Gressklipperen går tilbake til ladestasjonen: Trykk HOME og deretter OK.



Dreneringsutløp: Hvis gressklipperen faller i vann, tar du den ut umiddelbart og setter gressklipperen med høyre side opp for å tømme den. Senk aldri gressklipperen i vann, ellers kan komponentene bli skadet og den begrensede garantien blir annullert.

Ladestasjon og GNSS-antenne



MERK: Hvis GNSS-antennen er blokkert, noe som resulterer i dårlig signal og unøyaktig posisjonering, må du kjøpe antenneutvidelsessettet og installere som beskrevet.

3 Vedlikehold

For å oppnå bedre klipperesultater og øke levetiden, må du sørge for å holde gressklipperen ren og bladene i god stand. Inspeksjon og vedlikehold skal utføres av en voksen hver uke. Eventuelle ødelagte eller slitte deler bør byttes ut. **IKKE utfør vedlikehold når du går med åpne sandaler eller er barfot. Bruk alltid lange bukser og arbeidssko når du utfører service på gressklipperen.**

1) Rengjøring

Bruk en myk børste eller klut til å rengjøre. IKKE rengjør med alkohol, bensin, aceton eller andre etsende/flyktige løsemidler. Disse stoffene kan skade gressklipperens utseende og indre struktur.

For riktig dokking, inspiser og rengjør ladestasjonen med jevne mellomrom for rusk og gjørm. Forsikre deg om at alle tilkoblingsdeler på ladestasjonen, skjøteledningen og strømforsyningen ikke er blokkert.

A. Chassis og bladskive

Hvis chassiset og bladskiven er skitten, bruk en børste eller en vannslange for å rengjøre. IKKE bruk høytrykksvasker. Samtidig må du sørge for at bladskiven roterer fritt og at bladene kan dreie fritt.

FORSIKTIG: Høytrykksvann kan lekke inn i tetningene og skade elektroniske og mekaniske deler.

B. Hjul

Gress på hjulene kan påvirke hvordan gressklipperen presterer når du klatrer i bakker. Fjern gjørm eller andre gjenstander som sitter fast i imellom for å sikre et sterkt grep.

C. Regnsensor

Kontroller en gang i uken og sørg for at regnsensoren ikke er dekket av gjørm, gress eller andre gjenstander. Du kan enten vaske den ren eller rengjøre med en myk børste.

⚠ ADVARSEL

- Sørg for at gressklipperen er slått av før du rengjør den.
- Når gressklipperen er opp ned, må den slås av.

2) Skift ut bladene

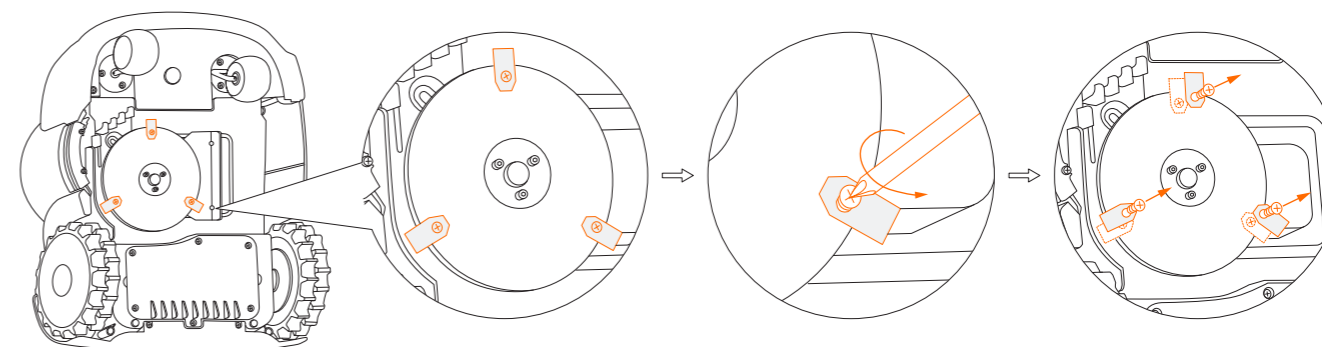
Hvis gressklipperen brukes regelmessig, anbefales det å bytte ut bladene og skruene hver 1–2 måned for å sikre sikkerheten og bedre klipperesultater. Bytt ut alle tre bladene og skruene samtidig for å ha et sikkert skjæresystem.

⚠ ADVARSEL

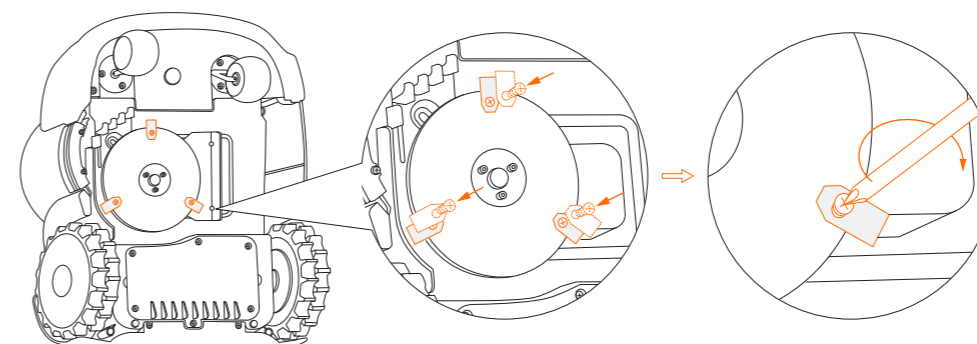
- Bruk robuste hansker når du inspiserer eller utfører service på blad.
- Bruk bare riktig skruetype og originale blad som godkjent av Segway. Bladmodell: HA002E.
- IKKE bruk skruene på nytt. Dette kan føre til alvorlig personskade.

Hvordan skifte bladene:

- 1 Slå av gressklipperen.
- 2 For å unngå riper, plasser gressklipperen på en myk og ren overflate opp ned.
- 3 Bruk en skrutrekker for å løsne de tre skruene.
- 4 Fjern skruene og bladene.



- 5 Fest de nye bladene og skruene (moment: 1 N m). Forsikre deg om at bladene kan dreie fritt.

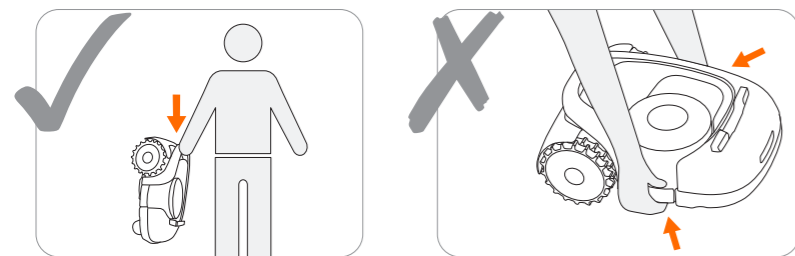


3) Transport

For å beskytte gressklipperen, bruk originalemballasjen for langtransport. Før du løfter, flytter eller på annen måte transporterer produktet, må du slå det av. Håndter forsiktig og unngå voldelig kraft, for eksempel kasting og tungt press. Aldri ta opp eller bær gressklipperen mens motoren går.

Hvordan bevege eller løfte ordentlig:

Bær gressklipperen etter håndtaket, med bladskiven vendt bort fra kroppen din.



FORSIKTIG:

For å unngå skade på gressklipperen og/eller ladestasjonen, IKKE løft produktet når det er parkert på ladestasjonen.

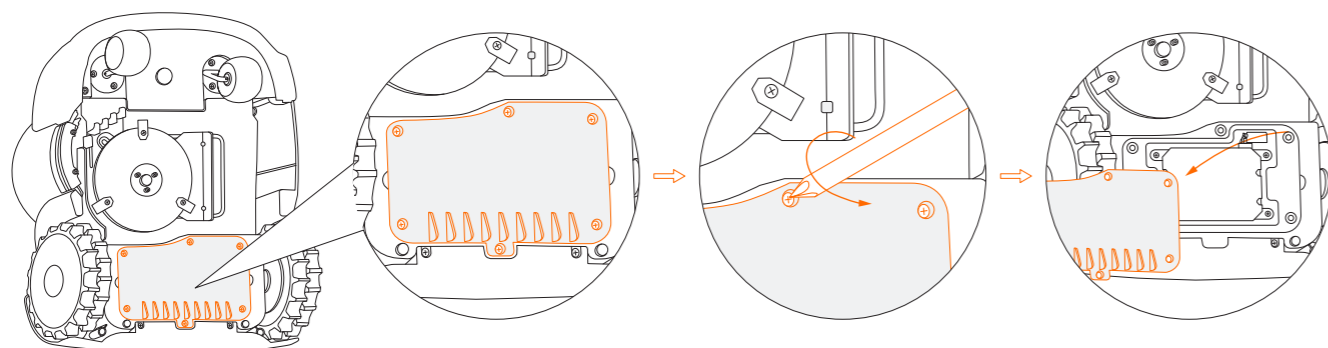
4) Batteri

Lad opp batteriet helt før lagring for å unngå overutladning og skade på elektriske komponenter. Lad gressklipperen hver 120. dag for langvarig lagring. Batteriskader forårsaket av overutladning dekkes ikke av den begrensede garantien. IKKE bruk eller oppbevar batteriet under ekstreme temperaturforhold, dvs. over 50 °C (122 °F) eller under -20 °C (-4 °F).

MERK: Batteriets levetid avhenger av hvor ofte produktet blir brukt og den totale arbeidstiden. Når driftstiden er kortere enn vanlig når fulladet eller plenen ikke er godt kuttet, bør du vurdere å bytte ut batteriet.

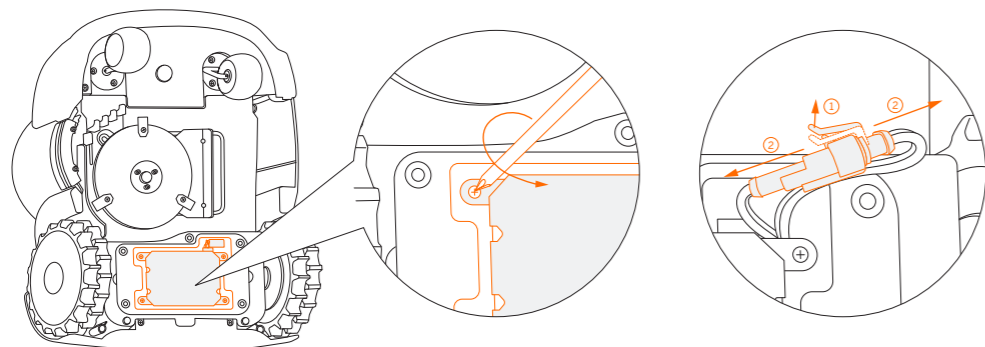
Hvordan skifte batteri:

- 1 Slå av gressklipperen.
- 2 Plasser gressklipperen på en myk og ren overflate opp ned.
- 3 Bruk en skrutrekker for å løsne de 6 skruene på batterirommet.



4 Løsne de 4 skruene i batterirommet.

5 Koble fra de to støpslene.



6 Ta ut batteripakken og bytt den ut med den nye.

7 Koble til pluggene og stram til alle skruene.

⚠ ADVARSEL

- Bruk bare den originale batteripakken eller den for samme modell som spesifisert av Segway. Hver gressklipper inneholder én batteripakke.
- Avhengig av den spesifikke gressklippermodellen er batteriets nominelle kapasitet 5 200 mAh, 7 800 mAh eller 10 400 mAh.
- Ikke bruk ikke-oppladbare batterier. For å lade opp batteriet, bare bruk den avtakbare forsyningsenheten levert med dette apparatet. For EU: bruk bare med forsyningsenheten NBW32D002D5N - EU. For Storbritannia: bruk bare med forsyningsenheten NBW32D002D5N - UK.
- IKKE demontere eller punktere batterihuset. Holdes borte fra metallgjenstander for å forhindre kortslutning. Holdes borte fra ild, varme og direkte sollys.
- For informasjon om batteri og elektrisk avfall, ta kontakt med din husholdningsavfallstjeneste, din lokale eller regionale avfallshåndtering eller salgsstedet.
- Batteripakken inneholder elektrolytter. Hvis elektrolyttlekkasje kommer i kontakt med hud, må du straks vaske av med såpe og vann. Kontakt lege i tilfelle øyekontakt og skylk straks øynene med mye vann i minst 15 minutter uten å gni.

5) Strømforsyning

- Koble fra strømforsyningen:
 - Før du fjerner en blokkering.
 - Før du sjekker, rengjør eller arbeider på maskinen.
 - Etter å ha rammet et fremmedlegeme for å inspisere maskinen for skader.
- Undersøk regelmessig ledningen, støpset, kapslingen og andre deler. Hvis det oppdages skader eller tegn på slitasje, må du slutte å bruke apparatet umiddelbart.

⚠ ADVARSEL

- IKKE bruk en skadet strømforsyning. Hvis strømledningen er skadet, må den skiftes ut av produsenten, serviceagenten eller lignende kvalifiserte personer for å unngå fare. Hvis skjøteledningen er defekt, må du bytte den ut med den 10 meter lange kablet godkjent av Segway.
- IKKE koble en skadet ledning til strømforsyningen eller berør en skadet ledning eller skjøteledning før den kobles fra stikkkontakten. Skadde ledninger kan føre til kontakt med strømførende deler.
- IKKE bruk strømforsyningen med noe annet produkt eller batteri, ellers vil det være fare for personskade, brann eller elektrisk støt. Produktsikkerhet kan ikke garanteres med andre enn originale batterier.
- IKKE lad opp når batteriet lekker.
- Hold skjøteledningen borte fra bevegelige farlige deler for å unngå skade på ledningene som kan føre til kontakt med strømførende deler.

Anbefaling

Koble bare gressklipperen og/eller den eksterne enheten til en forsyningskrets beskyttet med en jordstrømsenhet (RCD) med en utløsestrøm på under 30 mA.

6) Oppbevaring

- Slå av gressklipperen og lad den helt opp for lagring for å unngå overutladning, noe som vil forårsake permanent skade.
- Oppbevares kjølig og tørt innendørs. Eksponering for sollys og ekstreme temperaturer (både varme og kalde) vil akselerere aldringsprosessen til komponentene og kan skade batteriet permanent.
- Hold gressklipperen, ladestasjonen og strømforsyningen borte fra varmekilder (som ovner, radiatorer osv.) eller kjemikalier. Beskytt strømforsyningen mot fuktighet og oppbevar den på et godt ventilert sted.

⚠ ADVARSEL

Når det er fare for tordenvær, må du koble strømforsyningen fra stikkkontakten. Koble fra alle kabler og ledninger som er koblet til ladestasjonen. Koble til igjen når det ikke lenger er fare for torden.

Vinteroppbevaring

- Gressklipperen
Rengjør gressklipperen grundig før oppbevaring. Kontroller komponentene som utsettes for slitasje, for eksempel bladene. Reparer eller bytt dem ut hvis de er i dårlig stand. Oppbevar gressklipperen på et tørt og frostfritt sted mens den står på alle hjul, helst i originalemballasjen.
- Ladestasjonen
Koble strømforsyningen fra stikkkontakten og koble fra ladestasjonen. Ta ladestasjonen innendørs og hold deg borte fra direkte sollys.

7) Resirkulering og avhending ved utgang av levetiden

IKKE behandle dette produktet som husholdningsavfall. For informasjon om resirkulering, ta kontakt med husholdningsavfallstjenesten, kommunen eller salgsstedet.

⚠ ADVARSEL

IKKE kast dette produktet på en søppelfylling, ved forbrenning eller ved å blande med husholdningsavfall. Fare eller alvorlig personskade kan oppstå på grunn av de elektriske komponentene.

8) Andre

- Hold alle skruer, muttere og bolter godt festet for å sikre normal og sikker bruk.
- Dekk som følger med produktet skal monteres på hjulet av en profesjonell reparatør. Å fjerne hjulene er komplisert, og feil montering kan føre til ustabilitet og funksjonsfeil.
- For å sikre godt grep på slitebanen, hold drivhjulene (bakhjulene) rene ved å fjerne gjørme med en børste.
- Chassisrommet bak støtfangeren må KUN åpnes og lukkes av autoriserte serviceteknikere. Vedlikehold utført av deg selv kan annullere den begrensede garantien.

MERKNAD: FORSIKRING

FORSIKRINGEN DIN DEKKER KANSKJE IKKE ULYKKER VED BRUK AV DETTE PRODUKTET. FOR Å FASTSLÅ OM DET ER DEKNING VENNLIGST KONTAKT FORSIKRINGSELSKAPET ELLER AGENTEN.

4 Begrenset garanti

Begrenset garanti og voldgiftsavtale (EMEA)

MERKNAD : LES DENNE BEGRENSEDE GARANTIEN OG VOLGIFTSAVTALEN OG BEHOLD DENNE AVTALEN FOR FREMTIDIG REFERANSE. DENNE AVTALEN INNEHOLDER BEGRENSEDE GARANTIKLAUSULER FOR FORBRUKERE I EUROPA, MIDTØSTEN OG AFRIKA (EMEA) OG VOLDGIFTSKLAUSULER MED HENSYN TIL NAVIMOW (“PRODUKT”) OG NOEN OG ALLE TRANSAKSJONER OG KRAV I RELATERT TIL OG/ELLER SOM OPPSTÅR FRA PRODUKTET.

DETTE ER EN BINDENDE JURIDISK AVTALE (“AVTALE”) MELLOM DEG (ENTEN INDIVID ELLER ENHET) OG PRODUSENTEN (WILLAND), SEGWAY DISCOVERY B.V. EMEA (SEGWAY), OG DERES TILKNYTTETE (INKLUDERT MEN IKKE BEGRENSET TIL DERES HOVEDSELSKAP, DATTERSELSKAP, TILKNYTTETE SELSKAPER, FOREGÅENDE, ETTERFØLGENDE SELSKAP, ADMINISTRATORER, ETTERFØLGERE, UTPEKTE, TJENESTEMENN, DIREKTØRER, LEDERE, ANSATTE, MEDLEMMER, AKSJONÆRER OG AGENTER, ADVOKATER, FORSIKRERE ELLER GJENFORSIKRERE) (SAMLET “SEGWAY-PARTER”), SEGWAY-FORHANDLERE (SOM DEFINERT UNDER) OG DERES TILKNYTTETE (SAMLET “SEGWAY-FORHANDLERE”).

KJØP AV PRODUKTET, ÅPNING AV PRODUKTPAKKEN, BRUK AV PRODUKTET, OPPBEVARING AV PRODUKTET, UTNYTTELSE AV FORDELENE I DENNE AVTALEN ELLER ELEKTRONISK GODKJENNING AV DENNE AVTALEN, SKAL UTGJØRE GODKJENNELSE AV DENNE AVTALEN. DERSOM DU, SOM FORELDER ELLER FORMYNDER, KJØPER DETTE PRODUKTET PÅ VEGNE AV ELLER FOR BARN A DINE, SAMTYKKER DU OG GODKJENNER PÅ ALLE MÅTER VILKÅRENE OG BETINGELSENE I AVTALEN, OG SAMTYKKER AT BÅDE DU OG DINE BARN SKAL BINDES AV DENNE AVTALEN. DU ERKJENNER OG SAMTYKKER AT DU HAR FÅTT TILSTREKkelig MELDING OM DENNE AVTALEN, OG SAMTYKKER TIL DENNE AVTALEN.

Registrer produktets serienummer

Registrer produktets serienummer under. Du finner serienummeret på utsiden av fraktboksen eller på bunnen av produktet.



1. Begrenset garanti

Denne begrensede garantien dekker kun mangler på noe materiale eller kvalitet på produktet og komponentene når produktet og komponenter dertil brukes under normale og ordinære forhold. I tilfelle det oppstår en mangel som dekkes av denne begrensede garantien, vil Segway og/eller andre Segway-parter etter eget skjønn reparere eller erstatte det defekte produktet eller komponenter dertil i samsvar med denne begrensede garantien. Den gjeldende begrensede garantiperioden for den begrensede garantien begynner på datoen for opprinnelig kjøp av produktet fra enten Segway, Segway-autorisert forhandler, Segway-autorisert distributør eller en autorisert forhandler (hver en Segway-forhandler eller samlet som Segway-forhandlere).

	Komponentnavn			Begrenset garantiperiode
Gressklipperhus	<div> <ul style="list-style-type: none">RammeDrivmotorBladmotorMotor som regulerer klippehøydeDrivkortmodulCU-kortmodulLadekortmodul </div>	<div> <ul style="list-style-type: none">SensormodulIoT-brettGPS-modulHallbrettLED-tavleUltralydmodul868-antenna </div>	<div> <ul style="list-style-type: none">GPS-antenneBladskivemonteringGNSS-antenne </div>	3 år (H500E, H800E) <p>4 år (H1500E, H3000E)</p>
Batteri	<div> <ul style="list-style-type: none">Batteri </div>			2 år (H500E, H800E) <p>3 år (H1500E, H3000E)</p>
Andre komponenter	<div> <ul style="list-style-type: none">StrømforsyningLadestriperStrømforsyningskabelSummer </div>	<div> <ul style="list-style-type: none">RegnsensorKontrollpanel / -knapperStoppknappUniversalhjul </div>	<div> <ul style="list-style-type: none">AntennemonteringAlle kabler </div>	1 år
Komponenter som utsettes for slitasje	<div> <ul style="list-style-type: none">BladDekorasjonsstykkePakningTetningslisterLøftehåndtakdekselØvre deksel </div>	<div> <ul style="list-style-type: none">Gjennomsiktig trommelmonteringBakskjermmonteringGummiproppLadestasjonsmonteringBatteridekselStøtfangermontering </div>	<div> <ul style="list-style-type: none">UltralyddekselPinner for å feste skjøteledningen </div>	90 dager

DENNE BEGRENSEDE GARANTIEN ER DEN ENESTE UTTRYKTE GARANTIEN SOM GJELDEN FOR PRODUKTET OG DETS KOMPONENTDELER, TILBEHØR OG SERVICEREPARASJONER. SEGWAY OG SEGWAY-PARTER FRASKRIVER SEG ALLE ANDRE UTTRYKkelige GARANTIER. SEGWAY OG ANDRE SEGWAY-PARTER BEGRENSER VARIGHETEN OG RETTSMIDLENE TIL ALLE UNDERFORSTÅTTE GARANTIER, INKLUDERT UTEN BEGRENsNING GARANTIER FOR SALGBARHET OG EGNETHET FOR ET BESTEMT FORMÅL, UANSETT OM DETTE OPPSTÅR VED LOV, FORHANDLINGS-, YTSELSEsFORLØP, HANDELSBRUK ELLER ANNET, TIL VARIGHETEN AV DENNE UTTRYKkelige BEGRENSEDE GARANTIEN. DENNE BEGRENSEDE GARANTIEN PÅVIRKER IKKE PÅ NOEN MÅTE ELLER BEGRENSER DE LOVBESTEMTE RETTIGHETENE DU KAN HA SOM FORBRUKER, FOR EKSEMPEL MED HENSYN TIL SAMSVAR.

2. Serviceprosedyre med begrenset garanti

Segways online-tjenester er tilgjengelige på navimow.segway.com. Hvis du mener at produktet eller en komponent er defekt og/eller ikke fungerer som det skal under din bruk av produktet. SLUTT UMIDDELbart Å BRUKE PRODUKTET, OG OPPBEVAR PRODUKTET PÅ RIKTIG MÅTE. FORTSATT BRUK AV PRODUKTET UNDER SLIK EN OMSTENDIGHET KAN FORÅRSAKE ALVORLIG KROPPSSKADE ELLER TIL OG MED DØD FOR DEG ELLER ANDRE OG/ELLER FORÅRSAKE EIENDOMSSKADER. Deretter umiddelbart kontakte Segway på support-navimow@rlm.segway.com. Segways tekniske brukerstøttepersonell vil være tilgjengelig for å hjelpe deg med feilsøking via internettet eller på telefon, og gi ytterligere instruksjoner. Hvis garantitjenester kreves, må du forberede (i) bevis på opprinnelig kjøp av produktet fra Segway-forhandler, (ii) produktets serienummer og (iii) beskrivelse av en eventuell feil. Når du har bekreftet at du er kvalifisert for begrenset garanti og/eller tjenester, bør du oppgi navn, e-postadresse, postadresse og telefonnummer til oss, vil vi veilede deg for å få vår service.

Hvis du vil returnere den defekte enheten til service, kan du skal være ansvarlig for transportkostnadene og risikoen for tap og skade som kan oppstå under forsendelse fra deg til Segway og (ii) fra Segway til deg. Du må inkludere det defekte produktet eller komponenten i den originale eller en Segway-godkjent emballasje, som leveres på din omkostning, til forsendelse av produktet til Segway. Du skal beskytte, holde Segway skadesløs og ufarlig for tap og/eller skader som kan forårsakes av feilaktig emballasje eller forsendelse av produktet eller komponenten til Segway.

En autorisert tjenesteleverandør eller Segway-forhandler vil kontrollere ditt returnerte produkt. Hvis Segway med rimelighet fastslår at problemet ikke dekkes av den begrensede garantien, vil Segway gi deg beskjed og informere deg om service- eller erstatningsalternativer tilgjengelige for deg på avgiftsbasis. Ellers vil Segway returnere produktet til deg ubehandlet og i så fall vil du være ansvarlig for fraktkostnadene og forsikring for forsendelse av produktet fra Segway til deg. I tilfelle noen tjenester ikke dekkes av den begrensede garantien, og du avviser en betalt tjeneste som er anbefalt av Segway-parter og/eller Segway-forhandler, forstår du og erkjenner at manglende reparasjon og/eller service av produktet kan øke risikoen for fall og/eller produktsvikt som kan føre til alvorlige materielle skader, alvorlige personskader eller død, og du godtar at dette er ditt informerte samtykke til å ta en slik risiko. For retursending kvalifisert for garantibeskyttelse og/eller tjenester, vil Segway forsyne defekte produkter med nye eller renoverte deler av samme eller lignende type uten kostnad for deg. Deler erstattet av Segway beholdes av og forblir Segways eiendom. I en slik situasjon betaler Segway rimelige fraktkostnader for retur av produktet til deg.

3. Berettigelse til begrenset garanti

3.1 Din serviceforespørsel må mottas av Segway innen den begrensede garantiperioden beskrevet over, og Segway skal motta produktet i samsvar med den begrensede prosedyren for garantiservice definert over.

3.2 Produktet ditt skal være kjøpt fra en autorisert Segway-forhandler.

3.3 Du må fremlegge original kjøpskvitting.

3.4 Produktet ditt må ha serienummer som er leselig, uhemmet, upåvirket og umodifisert.

3.5 Alle inngrepssikrede tetninger skal være intakte, på plass og umodifisert.

4. Ekskluderte begrensede garantier

Denne begrensede garantien beskriver tjenesten som er tilgjengelig for deg hvis produktet krever garantiservice, og du kan ha tilleggsbeskyttelse i henhold til lokale lover. Denne begrensede garantien dekker ikke og ekskluderer skader på produktet eller deler av det forårsaket av:

4.1 Misbruk, feil bruk, hensynsløshet, uaktsomhet eller kommersiell bruk.

4.2 Feilaktig lading, lagring, vedlikehold eller drift av produktet, som ikke samsvarer med instruksjonene eller begrensningene gitt i brukermaterialet.

4.3 Bruk av produktet som ikke er i samsvar med gjeldende lover og regler.

4.4 Bruk av produktet av personer med utilstrekkelig erfaring.

4.5 Ulykke, kollisjon, brannskade, vannskade, kjemisk skade, bruk av produktet over eller under produktets virksomme temperaturer, høytrykkspyling, jordskjelv, fallskade.

4.6 Modifikasjon av mekaniske deler, modifikasjon av elektroniske deler eller modifikasjon av programvare innebygd i produktet.

4.7 Service, reparasjon og vedlikehold av uautoriserte leverandører.

4.8 Kosmetiske skader.

4.9 Bruk av produktet med tredjeparts produkt, komponent eller tilbehør.

4.10 Normal forringelse av slitasjedeler.

4.11 Bruk av produktet med forfalt slitasje på deler.

5. ANSVARFRASKRIVELSE OG BEGRENSNING

5.1 SEGWAY-PARTER PÅTAR SEG ELLER AUTORISERER IKKE NOEN TIL Å PÅTA SEG NOEN ANNEN FORPLIKTELSE ELLER ANSVAR I FORBINDELSE MED PRODUKTET, DETS DELER, TILBEHØR, SERVICEREPARASJONER ELLER DENNE BEGRENSEDE GARANTIEN.

5.2 SEGWAY-PARTER OG SEGWAY-FORHANDLERE ER IKKE ANSVARLIG FOR TAP AV BRUK AV ET PRODUKT, DETS DELER, TILBEHØR, ELLER FOR NOE ULEMPE ELLER ANDRE TAP ELLER SKADER SOM KAN FORÅRSAKES AV EN FEIL I ET PRODUKT, DETS KOMPONENTER, SERVICEREPARASJONER, ELLER FOR EVENTUELLE TILFELDIGE ELLER FØLGESKADER SOM KAN OPPSTÅ SOM RESULTAT AV EN FEIL I ET PRODUKT, DETS KOMPONENTER, TILBEHØR ELLER SERVICEREPARASJON. NOEN LAND TILLATER IKKE EKSKLUSJON ELLER BEGRENSNING AV TILFELDIGE ELLER FØLGESKADER. DERFOR KAN OVENSTÅENDE BEGRENSNING ELLER EKSKLUSJON IKKE GJELDE FOR DEG I DEN OMFATNING DET TILLATES I GJELDENDE LOV.

5.3 I INTET TILFELLE OVERSTIGER NOE SEGWAY-PARTERS OG SEGWAY-FORHANDLERS TOTALT OG SAMLET ANSVAR FOR ALLE KRAV UNDER ALL GJELDENDE LOV ELLER TEORI, FELLES ELLER SÆRSKILT, SOM OPPSTÅR AV ELLER ER RELATERT TIL KJØP AV PRODUKTET, BRUK AV PRODUKTET, KONTRAKTBRUDD, ERSTATNINGSRETSLIGE FORHOLD (INKLUDERT UAKTSOMHET) ELLER ANNET, PLIKTEN TIL Å REPARERE ELLER ERSTATTE NOE DEFECT PRODUKT, YTTERLIGERE UNDERLAGT SEGWAYS ENE OG EKSKLUSIVE DISKRESJON. SEGWAY-PARTER OG SEGWAY-FORHANDLERE SKAL UNDER INGEN OMSTENDIGHETER VÆRE ANSVARLIG OVERFOR PERSONER FOR FØLGENDE, INDIREKTE, TILFELDIGE, SPEIELLE, EKSEMPLARISKE, PUNITIVE ELLER FORBEDREDE SKADER SOM OPPSTÅR FRA, ER RELATERT TIL, OG/ELLER I FORBINDELSE MED KJØP AV PRODUKTET, NOE BRUDD PÅ DENNE AVTALEN ELLER PRODUSENTENS PLIKTER UAVHENGIG AV (A) OM SLIKE SKADER VAR OVERSKUELIGE, (B) OM SEGWAY ELLER ANDRE SEGWAY-PARTER BLE INFORMERT OM MULIGHETEN AV SLIKE SKADER, OG (C), DEN JURIDISKE ELLER RETTLIGE TEORIEN (KONTRAKT, ERSTATNINGSRETTSLIG FORHOLD ELLER ANNET) SOM KRAVET ER BASERT PÅ MED MINDRE SLIKE BEGRENSNINGER OG UNNTAK ER FORBUDT I GJELDENDE LOV. OVENNEVNTE BEGRENSNINGER ELLER UTELUKKELSER GJELDER SELV OM EN FORURETTET KUNDES ELLER ANDRE PERSONERS (SOM KAN HA RETT ELLER KRAV I HENHOLD TIL DENNE AVTALEN VED LOV ELLER RETTMESSIG KRAV) RETTSMIDLER I HENHOLD TIL DENNE AVTALEN MISLYKKER I SITT VESENTLIGE FORMÅL. I TILFELLE NOEN LAND IKKE TILLATER EKSKLUSJON ELLER BEGRENSNING AV VISSE ELLER ALLE DE OVENNEVNTE SKADER, I DEN GRAD SLIKE BEGRENSNINGER ELLER UNNTAK IKKE ER TILLATT I HENHOLD TIL LOV, KAN DE IKKE GJELDE FOR DEG. NOEN LAND TILLATER IKKE EKSKLUSJON ELLER BEGRENSNING AV TILFELDIGE ELLER FØLGESKADER. DERFOR I DEN UTSTREKNING SLIK BEGRENSNING ELLER EKSKLUSJON IKKE ER TILLATT AV LOVEN, KAN OVENSTÅENDE BEGRENSNING ELLER EKSKLUSJON IKKE GJELDE DEG

5.4 I den grad det er tillatt i henhold til gjeldende lov, fraskriver SEGWAY-PARTER og SEGWAY-FORHANDLERE seg ethvert ansvar, og er derved ikke ansvarlig for skader, inkludert men ikke begrenset til død, personskade eller skader på eiendom som oppstår på grunn av eller i forbindelse med noen opptreden (inkludert mislighold), handling, passivitet, dåd (inkludert manglende handling), unnlatelse eller uaktsomhet av autoriserte eller uautoriserte forhandlere, distributører, grossister, detaljister, tjenesteleverandører eller tredjeparter involvert i distribusjonen av produktet eller tjenestene dertil. I den grad det er tillatt i gjeldende lov, skal de eksplisitte garantiene, hvis noen, gitt heri, være de eneste garantiene og fremstillingene fra SEGWAY PARTIES overfor DEG, enhver forbruker og/eller sluttbruker. SEGWAY-PARTER er ikke ansvarlige for andre garantier og/eller fremstillinger som kan gis og/eller leveres av en annen person, med mindre SEGWAY-PARTER har i skriftlig form eksplisitt autorisert slik tilleggsgaranti og/eller fremstilling som kan gis til forbruker eller sluttbruker.

6. Krav, tvisteløsning og voldgift

KLAUSULENE INNEHOLDT HER ER JURIDISK BINDENDE MELLOM DEG (ENTEN ET INDIVID ELLER ENHET), OG SEGWAY DISCOVERY B.V., DETS TILKNYTTETE, SEGWAY-PARTER OG SEGWAY-FORHANDLERE. KLAUSULENE INNEHOLDT HER KAN PÅVIRKE DINE RETTIGHETER, OG DET ER DITT ANSVAR Å LESE DE FØLGENDE AVSNITTENE. DU KAN MELDE DEG UT AV AVTALEN INNEN 30 KALENDERDAGER UNDER DET FØRSTE FORBRUKERKJØPET VED Å SENDE E-POST TIL OPTOUT@SEGWAY.COM OG GI DEN GJELDENDE INFORMASJONEN. FOR FLERE DETALJER SE AVSNITT 6.2.

6.1 Bindende voldgift

Segway Parties, Segway Dealers og du er enige om at enhver tvist, kontrovers eller krav som oppstår på grunn av, knyttet til eller i forbindelse med denne avtalen, den begrensede garantien, salget, tilstanden eller ytelsen til produktet, enten basert på kontrakt, erstatning, svindel, uriktig fremstilling eller annen juridisk teori etter lov eller i egenkapital, inkludert men ikke begrenset til krav om død, personskade eller skade på eiendom, skal styres av og tolkes i samsvar med lovgivningen i Nederland med unntak av dets konflikter med lovbestemmelser, og endelig løst av International Chamber of Commerce (ICC) under 2021 ICC Rules of Arbitration (ICC Rules) for øyeblikket i kraft, hvilke regler anses å være innarbeidet ved henvisning i denne paragrafen. Videre er partene enige om at:

i. Voldgiftsstedet skal være Amsterdam, Nederland.

ii. Nemnda skal bestå av 3 voldgiftsdommere.

iii. Voldgiftsspråket skal være engelsk.

Avsnitt 6, klausul om "Krav, tvisteløsning og obligatorisk voldgift", skal forbli gyldig ved opphør eller utløp av denne avtalen og/eller begrenset garanti eller i tilfelle at denne avtalen og/eller den begrensede garantien holdes uvirksom, som kan unngås, ugyldig eller ikke kan håndheves, helt eller delvis, av en kompetent domstol med faktisk myndighet og jurisdiksjon over denne saken.

6.2 Fravalg

DU KAN VELGE FRA DENNE PROSEDYREN FOR TVISTELØSNING VED Å GI VARSEL TIL SEGWAY ELLER SEGWAY-PARTER IKKE SENERE ENN TRETTI (30) KALENDERDAGER ETTER DATOEN TIL FØRSTE FORBRUKERS KJØP AV PRODUKTET. FOR Å VELGE FRA MÅ DU SENDE VARSEL VIA E-POST TIL OPTOUT@SEGWAY.COM, MED EMNEFELTET: "FRAVALG AV VOLDGIFT." FRAVALGSVARSELEN VIA E-POST SKAL INNEHOLDE (A) DITT NAVN, E-POSTADRESSE, POSTADRESSE OG TELEFONNUMMER, (B) DATOEN PRODUKTET BLE KJØPT, (C) PRODUKTMODELLNAVN ELLER MODELLNUMMER, OG (D) SERIENUMMER. ALTERNATIVT KAN DU VELGE FRA VED Å SENDE ET FRAVALGSBREV TIL SEGWAY TIL Dynamostraat 7, 1014BN, Amsterdam, Nederland. SERTIFISERT POST INNEN TRETTI (30) KALENDERDAGER FRA DATOEN FOR SLUTTBRUKERENS FØRSTE KJØP AV PRODUKTET FRA SEGWAY-FORHANDLER. FRAVALGSBREVET SKAL INNEHOLDE FØLGENDE INFORMASJON: (A) DITT NAVN, E-POSTADRESSE, POSTADRESSE OG TELEFONNUMMER, (B) DATOEN PRODUKTET BLE KJØPT, (C) PRODUKTMODELLNAVN ELLER MODELLNUMMER, (D) SERIENUMMER, OG (E) EN UTTALELSE SOM FØLGER: OVENNEVNTE FORBRUKER FRAVELGER PROSEDYREN FOR TVISTELØSNING GITT I DENNE BEGRENSEDE GARANTIEN. DISSE ER DE ENESTE TO EFFEKTIVE MÅTENE Å VELGE FRA DENNE TVISTELØSNINGSPROSEDYREN. FRAVALG AV DENNE TVISTELØSNINGSPROSEDYREN VIL IKKE PÅVIRKE DEKNINGEN AV DEN BEGRENSEDE GARANTIEN PÅ NOEN MÅTE, OG DU VIL FORTSETTE Å NYTE FORDELENE MED DEN BEGRENSEDE GARANTIEN.

6.3 Språk

Denne avtalen kan oversettes til forskjellige språk. I tilfelle en konflikt skal den engelske versjonen være gyldig.

5 EC DECLARATION OF CONFORMITY

Produsent

Navn: Willand (Beijing) Technology Co., LTD.

Adresse: Room 203, A1 Bldg. Zhongguancun Dongsheng Technology Park (Northern Territory), No. 66, Xixiaokou Rd, Haidian Dist., Beijing, Kina.

Autorisert representant

Navn: Segway Discovery B.V.

Adresse: Dynamostraat 7, 1014BN Amsterdam, Nederland

Deklarasjonsobjekt

Generisk betegnelse: Robotgressklipper

Produktnavn: Navimow

Type/modell: H500E/H800E/H1500E/H3000E

Serienummer: S2RA x åååå x åååå/S2RC x åååå x åååå/S2RE x åååå x åååå/S2RT x åååå

("x" angir enhver bokstav fra A-Z unntatt O og I, "y" indikerer enhver bokstav fra A-Z unntatt O og I eller ethvert tall fra 0–9)

Denne samsvarserklæringen utstedes på produsentens eget ansvar.

Formålet med erklæringen beskrevet ovenfor er i samsvar med følgende EU-direktiver:

- Radioutstyrsdirektivet (2014/53/EU)
- Maskindirektivet (2006/42/EF)
- RoHS-direktivet (2011/65/EU) og endringsdirektivet ((EU)2015/863)

Overensstemmelse med disse direktivene er fastsatt for dette produktet ved å demonstrere samsvar med følgende harmoniserte standarder og/eller tekniske forskrifter:

EN 60335-1:2012+A11:2014+AC:2014+A13:2017+A1:2019+A14:2019+A2:2019

EN 50636-2-107:2015+A1:2018+A2:2020

EN IEC 61000-3-2:2019+A1:2021

EN 61000-3-3:2013+A1:2019

EN IEC 55014-1:2021

EN IEC 55014-2:2021

ETSI EN 300 220-1 V3.1.1

ETSI EN 300 220-2 V3.1.1

ETSI EN 300 328 V2.2.2

ETSI EN 303 413 V1.1.1

EN 50665:2017

EN 62133-2:2017

ETSI EN 301 908-1 V13.1.1

ETSI EN 301 908-13 V13.1.1

ETSI EN 301 489-1 V2.2.3

ETSI EN 301 489 - 3 V2.2.0

ETSI EN 301 489-17 V3.2.4

ETSI EN 301 489-19 V2.1.1

ETSI EN 301 489-52 V1.2.1

ETSI EN 301 511 V12.5.1

EN IEC 62311:2020

EN IEC 63000:2018

Signert for og på vegne av: Willand (Beijing) Technology Co., LTD.

Sted: Changzhou, China

Navn: Crystal Zhuang

Signatur: *Crystal Zhuang*

Kina Dato: 22-02-2022

Funksjon: Sertifiseringsleder

6 Sertifiseringer

European Union Compliance Statement

Information on Disposal for Users of Waste Electrical & Electronic Equipment



Dette symbolet på produktet eller på emballasjen indikerer at brukte elektriske og elektroniske produkter ikke skal blandes med usortert kommunalt avfall. For riktig behandling er det ditt ansvar å avhende utstyrsavfall ved å levere det på angitte innsamlingssteder. Avhending av dette produktet på riktig måte bidrar til sparing av verdifulle ressurser og forhindre potensielle uheldige virkninger på menneskers helse og miljøet, noe som ellers kunne oppstå ved upassende avfallshåndtering. For å returnere den brukte enheten, vennligst bruk retur- og innsamlingssystemer eller kontakt forhandleren der produktet ble kjøpt, som er gratis. Vennligst kontakt lokale myndigheter for ytterligere detaljer om det nærmeste utpekte innsamlingsstedet. Feil avhending av dette avfallet kan medføre straff i samsvar med din nasjonale lovgivning.

Informasjon om avhending for brukte batterier



Dette symbolet betyr at batterier og akkumulatører ved utløpet ikke bør blandes med usortert kommunalt avfall. Din deltakelse er en viktig del av arbeidet med å minimere uheldig virkning av batterier og akkumulatører på miljøet og på menneskers helse. For riktig resirkulering kan du returnere dette produktet eller batteriene eller akkumulatorene det inneholder til leverandøren, eller tilet bestemt innsamlingssted, som er gratis. Avhending av dette produktet på riktig måte bidrar til sparing av verdifulle ressurser og forhindre potensielle uheldige virkninger på menneskers helse og miljøet, noe som ellers kunne oppstå ved upassende avfallshåndtering. Feil avhending av dette avfallet kan medføre straff i samsvar med din nasjonale lovgivning. Det finnes separate innsamlingssystemer for brukte batterier og akkumulatører. Kast batterier og akkumulatører på riktig måte på ditt lokale senter for avfallsinnsamling/resirkulering.

Begrensning av bruk av visse farlige stoffer (RoHS)-direktivet

Willand (Beijing) Technology Co., LTD. erklærer herved at hele produktet inkludert deler (kabler, ledninger osv.) oppfyller kravene i RoHS-direktivet 2011/65/EU og endringen Kommisjonsdelegert direktiv (EU) 2015/863 om bruksbegrensning av visse farlige stoffer i elektrisk og elektronisk utstyr (RoHS omarbeidet eller RoHS 2.0).

Radioutstyrsdirektiv

Willand (Beijing) Technology Co., LTD. erklærer herved at produktet som er oppført i denne delen overholder de grunnleggende kravene og andre relevante bestemmelser i radioutstyrsdirektivet 2014/53/EU.

Maskindirektivet

Willand (Beijing) Technology Co., LTD. erklærer herved at produktet som er oppført i denne delen overholder de grunnleggende kravene og andre relevante bestemmelser i maskindirektivet 2006/42/EF.

Europe Authorised Representative:



Segway Discovery B.V. Dynamostraat 7, 1014BN Amsterdam, Nederland.

Willand (Beijing) Technology Co., LTD. erklærer herved at produktet overholder de grunnleggende kravene og andre relevante bestemmelser i RoHS-direktivet 2011/65/EU og endringen Kommisjonsdelegert direktiv (EU) 2015/863, radioutstyrsdirektivet 2014/53/EU og maskindirektivet 2006/42/EF.

Bluetooth	Frekvensbånd	2,4000–2,4835 GHz
	Maks. RF-effekt	20 mW

7 Kontakt oss

Produsent: Willand (Beijing) Technology Co., LTD.

Adresse: Room 203, A1 Bldg. Zhongguancun Dongsheng Technology Park (Northern Territory), No. 66, Xixiaokou Rd, Haidian Dist., Beijing, Kina.

Kontakt oss hvis du opplever problemer knyttet til drift, vedlikehold og sikkerhet, eller feil/mangler i gressklipperen.

Autorisert representant for Europa: Segway Discovery B.V., Dynamostraat 7, 1014BN Amsterdam, Nederland.

Autorisert representant: Segway Discovery BV, Hogehilweg 8 - 6. etasje, 1101CC Amsterdam, Nederland.

Nettsted: navimow.segway.com

129
NO

130
NO

EN	Important Information	2
DE	Wichtige Informationen	20
FR	Informations importantes	36
IT	Informazioni importanti	52
NL	Belangrijke informatie	68
SV	Viktig information	84
FI	Tärkeitä tietoja	100
NO	Viktig informasjon	116
DA	Vigtig information	132

Indholdsfortegnelse

1 Sikkerhedsadvarsler	133
2 Dele og funktioner	136
3 Vedligeholdelse	138
4 Begrænset garanti	141
5 OVERSÆTTELSE AF DEN OPRINDELIGE OVERENSSTEMMELSESERKLÆRING	145
6 Certificeringer	146
7 Kontakt os	146
Oversættelse af de originale instruktioner	

1 Sikkerhedsadvarsler

VIGTIGT

LÆS GRUNDIGT FØR BRUG

OPBEVAR TIL FREMTIDIG REFERENCE

- 1) Sørg for at installere og betjene Navimow (kaldet plæneklipperen i manualen) og ladestationen i henhold til instruktionerne. Gå til navimow.segway.com for den komplette brugervejledning og de nyeste brugermaterialer.
- 2) Produktet kan bruges både af forbrugere og til professionelle formål. Brug af plæneklipperen til andre formål end græsslåning kan medføre alvorlig personskade. For at undgå risiko for kvæstelser skal du læse og forstå alle advarsler og forsigtighedsregler. Du bedes forstå, at du kan reducere risikoen ved at følge instruktionerne og advarslerne i denne vejledning, men du kan ikke fjerne alle risiciene. Operatøren eller brugeren er ansvarlig for ulykker eller farer, der opstår for andre mennesker på deres ejendom.
- 3) Navimow har mange indbyggede sikkerhedssensorer, men der er stadig sikkerhedsrisici. Indstil græsslåningstiden til et tidsrum, hvor der ikke er mennesker eller kæledyr på plænen. Informér naboerne om risikoen for ulykker eller farer. Når du bruger plæneklipperen på en offentlig græsplæne, eller når din græsplæne er åben for din nabo eller gade, skal du beskytte eller indhegne plænen eller anbringe et advarselsskilt omkring arbejdsområdet, hvor der står: ADVARSEL! Automatisk plæneklipper! Hold dig væk fra maskinen! Hold øje med børn!
- 4) Du må IKKE selv modificere plæneklipperen. Ændringer kan forstyrre plæneklipperens drift, resultere i alvorlig kvæstelse og/eller skader, eller annullere den begrænsede garanti. Brug kun Segway-godkendte dele og tilbehør.
- 5) Producenten anbefaler, at brugeren er 18-70 år gammel. Sørg for at få den nødvendige oplæring inden du betjener maskinen.

⚠ ADVARSEL

Lad aldrig børn, personer med nedsatte fysiske, sensoriske eller mentale evner eller manglende erfaring og viden eller personer, der ikke er bekendt med disse instruktioner, bruge maskinen. Lokale regler kan begrænse operatørens alder.

Før græsslåning:

- Kontrollér regelmæssigt, at alle dele af plæneklipperen kan fungere normalt.
- For at få de bedste græsslåningsresultater anbefales det at slå græs i tørt vejr. Græsslåning i regn kan få græsset til at sidde fast på produktet, og plæneklipperen kan glide. Slå IKKE græs i dårligt vejr, såsom kraftig regn, tordenvejr eller sne.
- Undersøg med jævne mellemrum det område, hvor maskinen skal bruges, og fjern alle sten, pinde, ledninger, knogler og andre fremmedlegemer. Den begrænsede garanti dækker ikke skader forårsaget af genstande, der er efterladt på plænen.
- For at undgå mulig beskadigelse skal du holde plæneklipperen mindst 1 m (3 fod) væk fra eventuelle sprinklerhoveder. Plæneklipperen og sprinkleren må IKKE være i gang samtidigt. Indstil plæneklipperens tidsrum, så den er i gang i et andet tidsrum end sprinkleren.
- Tillad ALDRIG børn at røre ved strømforsyningsenheden, ladestationen, knivene, batterirummet eller andre dele med mellemrum som f.eks. hjulene.

⚠ ADVARSEL

Betjen aldrig maskinen og/eller dens perifere enheder med defekte afskærmninger eller dæksler, eller hvis ledningen er beskadiget eller slidt.

Når du slår græs:

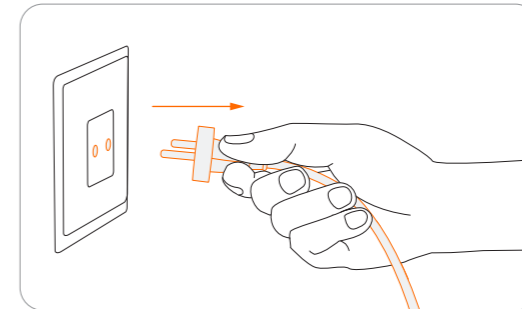
- Hold dig væk fra de roterende knive! Sæt IKKE dine hænder eller fødder under eller i nærheden af de roterende knive.
- Pas på genstande, der bliver kastet ud! Hold en sikker afstand til plæneklipperen, når den er i gang.
- Efterlad IKKE maskinen til drift uden opsyn, hvis du ved, at der er kæledyr, børn eller mennesker i nærheden.
- Stræk dig IKKE for langt. Hold din balance på alle tidspunkter, og vær altid sikker på fodfæste på skrånninger. Gå, og løb aldrig, mens du betjener maskinen eller dens perifere enheder.

⚠ ADVARSEL

- Tillad IKKE børn at være i nærheden af eller lege med maskinen, når den er i drift.
- Løft IKKE plæneklipperen under drift. Brug IKKE plæneklipperen til at transportere dig rundt.
- Slå IKKE græs på områder med skrånninger, der er stejlere end den maksimale hældning inden for arbejdsområdet (45 %) eller grænsen (10 %).
- Hvis plæneklipperen afgiver en unormal lyd eller signalerer en alarm, skal du straks trykke på STOP-knappen.
- Hvis der er unormale vibrationer, skal du slukke for plæneklipperen, placere den på et plant underlag i ca. 30 sekunder og derefter genstarte. Hvis problemet fortsætter, skal du kontakte autoriseret eftersalgsservice.
- Rør IKKE ved bevægelige farlige dele, før de er stoppet helt.

Sikker anvendelse:

- Brug IKKE plæneklipperen uden for temperaturgrænserne: -10 til 50 °C (14-122 °F), fordi lave/høje temperaturer kan nedsætte plæneklipperens ydelse og endda føre til ulykker.
- Placér IKKE noget på plæneklipperen eller ladestationen.
- Det anbefales at udføre regelmæssig vedligeholdelse af plæneklipperen (se *Vedligeholdelse*) af en voksen.
- Kontrollér regelmæssigt advarselsanordningerne for at sikre, at de er effektive. Disse enheder omfatter summer, LED-lys på ladestationen og det omgivende lys på plæneklipperen.
- Før du oplader, skal du læse *Sådan oplades plæneklipperen* i brugermanualen. Forkert brug kan forårsage elektrisk stød, overophedning eller lækage af ætsende væske.
- Hvis ledningen på strømforsyningen eller forlængerkablet bliver beskadiget eller viklet ind under brug, skal du tage strømforsyningsstikket ud af stikkontakten og derefter vikle ud. For at undgå fare skal du trække i stikket i stedet for i ledningen, når du frakobler strømforsyningen fra stikkontakten. Kontakt eftersalgsservice og bed en professionel tekniker om at reparere eller udskifte ledningen.



Symboler og mærkater

Undersøg symbolerne på produktet og etiketterne omhyggeligt og forstå deres betydning:



⚠ ADVARSEL – Læs brugsanvisningen, før du betjener maskinen.



⚠ ADVARSEL – Rør ikke ved de roterende knive.



⚠ ADVARSEL – Hold en sikker afstand til maskinen, når den er i drift.



⚠ ADVARSEL – Brug ikke maskinen til at transportere dig rundt.



⚠ Betjen deaktiveringsenheden, før du arbejder på eller løfter maskinen*.
*Sørg for, at plæneklipperen er låst med PIN-koden, før du løfter eller betjener den.



⚠ ADVARSEL – Det er ikke tilladt at bortskaffe dette produkt som normalt husholdningsaffald. Sørg for, at produktet genbruges i overensstemmelse med lokale lovkrav.



Dette produkt overholder de gældende EF-direktiver.

RoHS

Dette produkt overholder reglerne for begrænsning af farlige stoffer.



Læs instruktionerne inden opladning.



Dette produkt er i overensstemmelse med gældende britisk lovgivning.



Polaritet i opladningsporten



Klasse II-apparat



SMPS med en kortslutningssikker sikkerhedsisoleringstransformator (indbygget eller ikke-indbygget)



SMPS (switch mode-strømforsyningsenhed)



DoE Level VI-effektivitet



Den maksimale brugshøjde er 5000 m

IP55/IP66

IP55/IP66

ta: 40°C

Den maksimale brugstemperatur er 40°C



Jævnstrøm



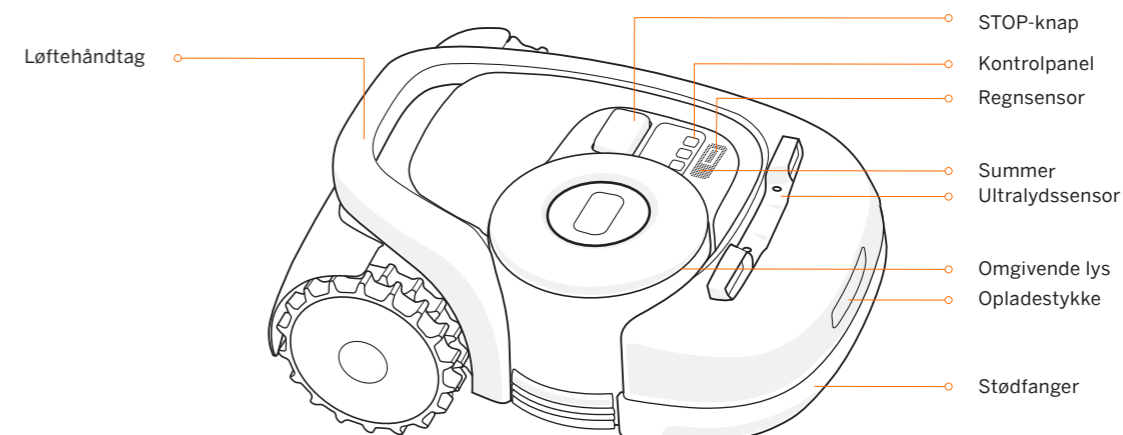
Vekselstrøm



Klasse III apparat

2 Dele og funktioner

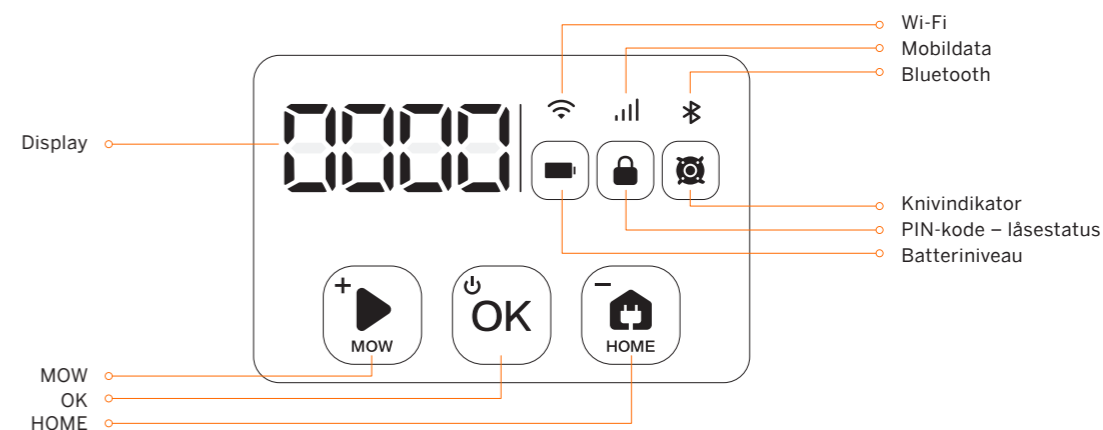
Set ovenfra



Omgivende lys: Når der opstår en abnormitet, blinker LED-ringen rødt sammen med en ringende summer.

Ultralydssensor: Visse modeller er udstyret med en ultralydssensor. Sensoren sælges også separat og kan installeres på alle Navimow-modeller. Kontakt din forhandler for yderligere oplysninger.

Kontrolpanel



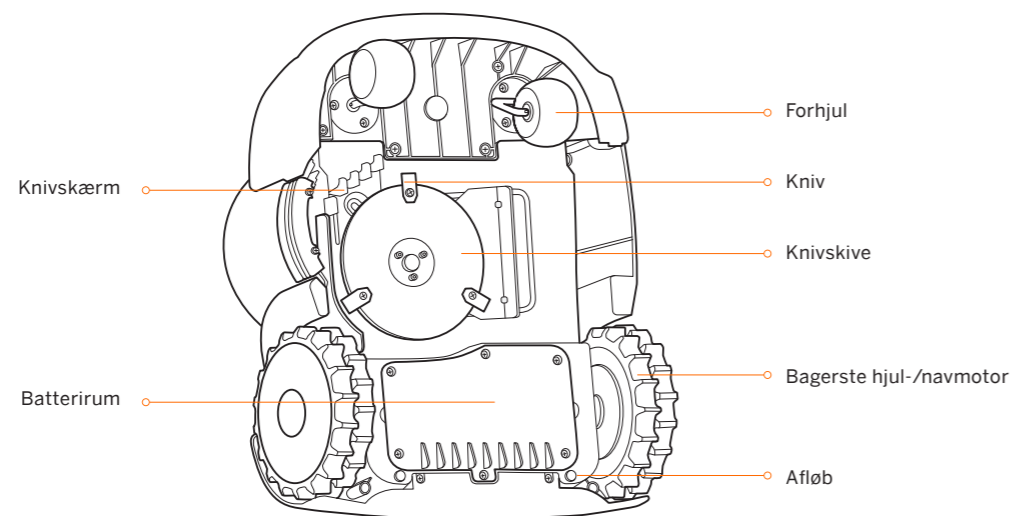
Batteriniveau: Farven angiver batteriniveaet: 50%–100% konstant grøn, 20%–49% konstant gul, 5%–19% konstant rød, ≤ 5 % rød blinkende. Når batteriikonet er rødt, skal plæneklipperen genoplades.

Display: Det viser græsslåningsprocent, PIN-kode, fejlkode, etc.

PIN-kode: Inden manuel betjening af plæneklipperen skal du indtaste PIN-koden. Standardkoden er 0000 og kan ændres via Navimow-appen (kaldet appen i denne vejledning). Tryk på MOW/HOME for at gøre tallet større/mindre, og tryk på OK for at bekræfte koden.

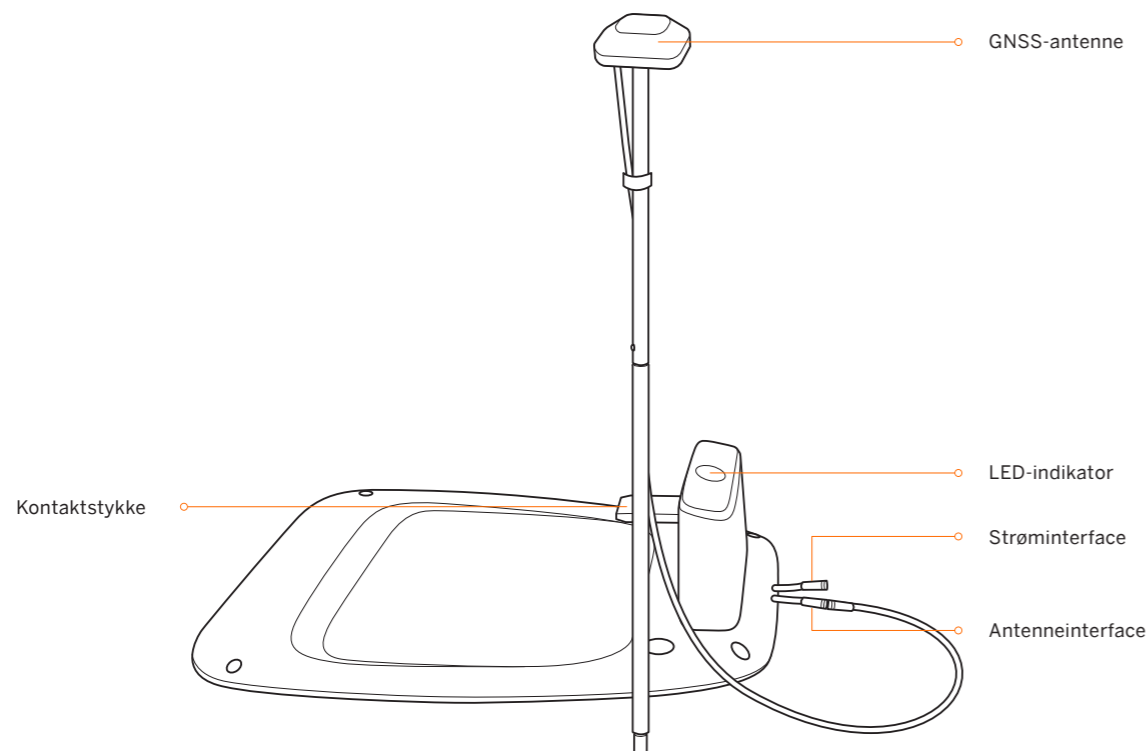
Grundlæggende betjening

- Tænd: Tryk på OK.
- Sluk: Tryk på OK og hold den nede i 4 s, eller sluk via appen. Plæneklipperen må ikke slukkes mens den er i ladestationen.
- Start græsslåning: Tryk på MOW og derefter på OK.
- Stop driften af plæneklipperen: Tryk på STOP.
- Plæneklipperen vender tilbage til ladestationen: Tryk på HOME og derefter på OK.



Afløb: Hvis plæneklipperen falder ned i vand, skal du straks tage den op og lægge plæneklipperen med højre side opad for at dræne den. Nedsenk aldrig plæneklipperen i vand. Ellers kan komponenterne blive beskadiget, og den begrænsede garanti bortfalder.

Ladestation og GNSS-antennen



BEMÆRK: Hvis GNSS-antennen er blokeret, hvilket resulterer i dårligt signal og unøjagtig positionering, skal du købe antenneudvidelsessættet og installere som beskrevet.

3 Vedligeholdelse

For at opnå bedre klipperesultater og øge levetiden skal du sørge for at holde plæneklipperen ren og knivene i god stand. Inspektion og vedligeholdelse skal udføres af en voksen hver uge. Eventuelle beskadigede eller slidte dele skal udskiftes. **Udfør IKKE vedligeholdelse, når du har åbne sandaler eller er barfodet. Brug altid lange bukser og arbejdssko, når du servicerer plæneklipperen.**

1) Rengøring

Brug en blød børste eller klud til at rengøre. Rengør IKKE med alkohol, benzin, acetone eller andre ætsende/flygtige opløsningsmidler. Disse stoffer kan beskadige din plæneklippers udseende og indre struktur. For korrekt dokning skal du regelmæssigt inspicere og rengøre ladestationen for skidt og mudder. Sørg for, at alle tilslutningsdele på ladestationen, forlængerkablet og strømforsyningen ikke er blokeret.

A. Chassis og knivskive

Hvis chassiset og knivskiven er snavset, skal du bruge en børste eller en vandslange til at rengøre. Brug IKKE en højtryksrenser. Sørg samtidig for, at knivskiven roterer frit, og knivene kan dreje frit. **ADVARSEL:** Højtryksvand kan trænge ind i tætningerne og beskadige elektroniske og mekaniske dele.

B. Hjul

Græs på hjulene kan påvirke plæneklipperens ydeevne, når den kører op ad skrånninger. Fjern mudder eller andre genstande, der sidder fast for at sikre et stærkt greb.

C. Regnsensor

Kontrollér en gang om ugen, og sørg for, at regnsensoren ikke er dækket af mudder, græs eller andre genstande. Du kan enten vaske den ren eller rengøre den med en blød børste.

⚠ ADVARSEL

- Før rengøring skal du sørge for, at plæneklipperen er slukket.
- Når plæneklipperen er vendt på hovedet, skal den være slukket.

2) Udskift knivene

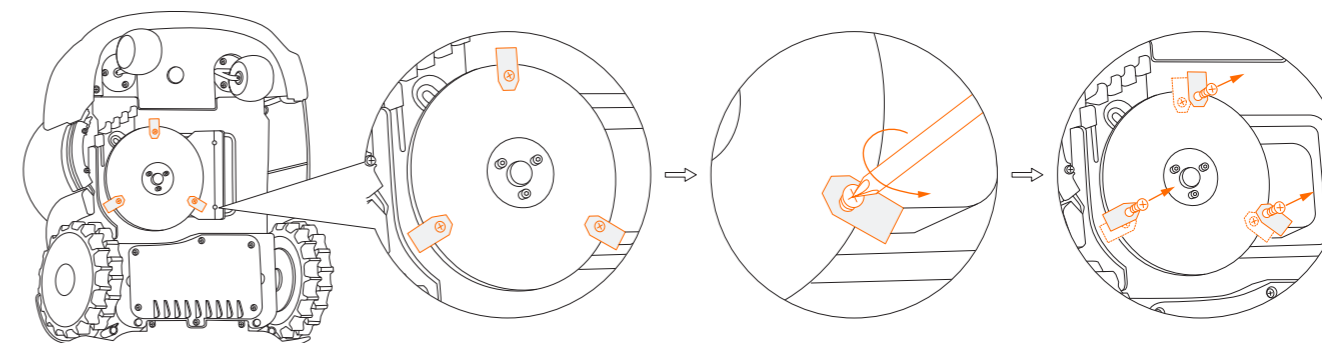
Hvis plæneklipperen bruges regelmæssigt, anbefales det at udskifte knive og skruer hver 1-2 måneder for at opretholde sikkerheden og give bedre klipperesultater. Udskift alle tre knive og deres skruer på samme tid for at opnå et sikkert skæresystem.

⚠ ADVARSEL

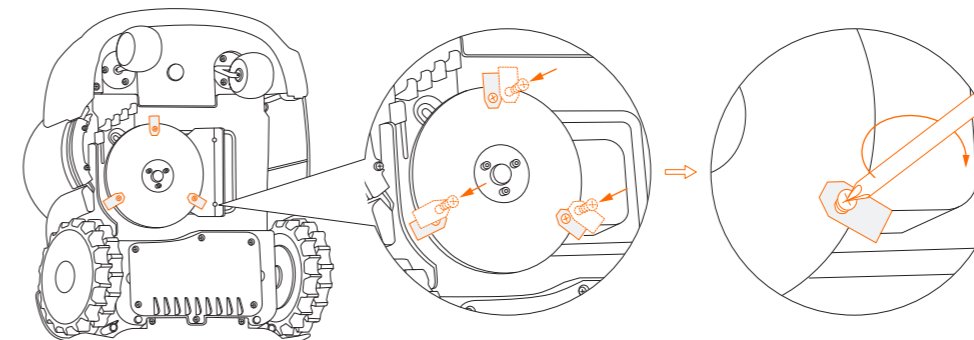
- Brug kraftige handsker, når du inspicerer eller servicerer kniven.
- Brug kun den rigtige type skruer og originale knive som godkendt af Segway. Knivmodel: HA002E.
- Brug IKKE skruerne igen. Dette kan medføre alvorlig personskade.

Sådan udskiftes knivene:

- 1 Sluk for plæneklipperen.
- 2 For at undgå ridser skal du placere plæneklipperen på en blød og ren overflade på hovedet.
- 3 Brug en stjerneskruetrækker til at løsne de tre skruer.
- 4 Fjern skruerne og knivene.



- 5 Fastgør de nye knive og skruer (moment: 1 Nm). Sørg for, at knivene kan dreje frit.

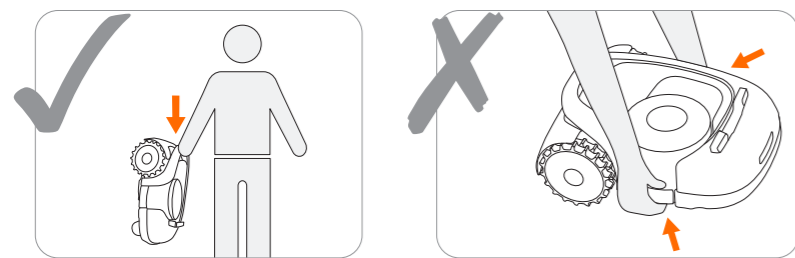


3) Transport

For at beskytte plæneklipperen skal du bruge den originale emballage til transport over lange afstande. Inden du løfter, flytter eller på anden måde transporterer produktet, skal du slukke for det. Håndtér forsigtigt og undgå voldsom kraft, såsom kast og kraftigt tryk. Du må aldrig tage plæneklipperen op eller bære den, mens motoren kører.

Sådan flyttes eller løftes plæneklipperen korrekt:

Bær plæneklipperen i håndtaget med knivskiven vendt væk fra kroppen.



ADVARSEL:

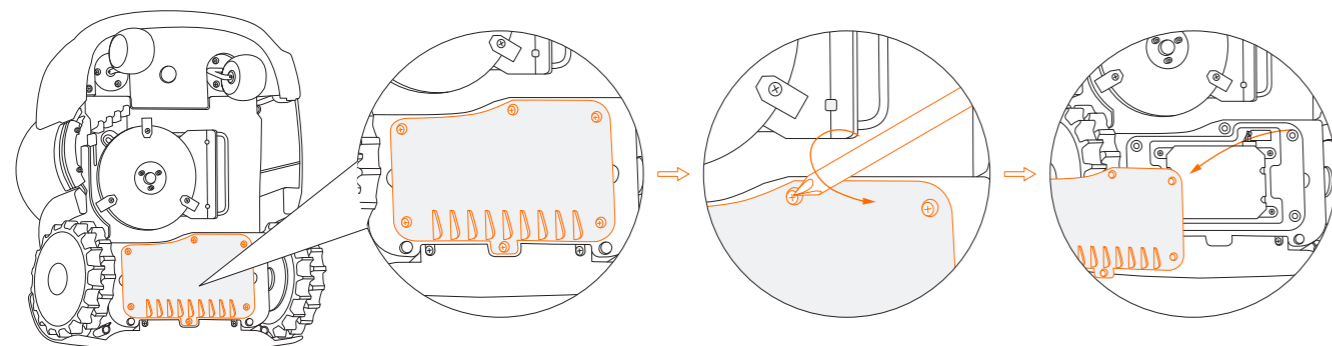
For at undgå beskadigelse af plæneklipperen og/eller ladestationen må du IKKE løfte produktet, når det er parkeret i ladestationen.

4) Batteri

Oplad batteriet helt inden opbevaring for at undgå overafledning og beskadigelse af de elektriske komponenter. Oplad plæneklipperen hver 120. dag for opbevaring i lang tid. Batteribeskadigelse forårsaget af overafledning dækkes ikke af den begrænsede garanti. Brug eller opbevar IKKE batteriet under ekstreme temperaturforhold, dvs. over 50 °C (122 °F) eller under -20 °C (-4 °F). BEMÆRK: Batteriets levetid afhænger af, hvor ofte produktet er i drift, og den samlede driftstid. Når driftstiden er kortere end normalt pr. fuld opladning, eller græsplænen ikke bliver slået godt, skal du overveje at udskifte batteriet.

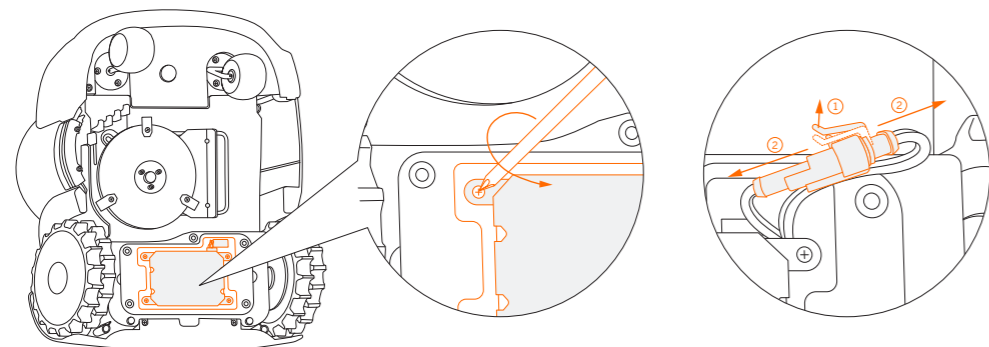
Sådan udskiftes batteriet:

- 1 Sluk for plæneklipperen.
- 2 Placér plæneklipperen med bunden opad på en blød og ren overflade.
- 3 Brug en stjerneskruetrækker til at løsne de 6 skruer på batterirummet.



4 Løsn de 4 skruer i batterirummet.

5 Frakobl de to stik.



6 Tag batteripakken ud, og udskift den med den nye.

7 Tilslut stikkene og stram alle skrueerne.

ADVARSEL

- Brug kun den originale batteripakke eller den samme model som specificeret af Segway. Hver plæneklipper indeholder én batteripakke.
- Afhængigt af den specifikke plæneklippermodel er batteriets nominelle kapacitet 5200 mAh, 7800 mAh eller 10400 mAh.
- Brug ikke ikke-genopladelige batterier. Brug kun den aftagelige forsyningsenhed, der følger med dette apparat, til genopladning af batteriet. For Den Europæiske Union: brug kun sammen med NBW32D002D5N – EU-forsyningsenhed. For Storbritannien: brug kun sammen med NBW32D002D5N – UK-forsyningsenhed.
- Demontér eller punktér IKKE batterikappen. Holdes væk fra metalgenstande for at forhindre kortslutning. Holdes væk fra ild, varme og direkte sollys.
- For information om batteri og elektrisk affald bedes du kontakte din bortskaffelsestjeneste, dit lokale eller regionale affaldshåndteringskontor eller dit salgssted.
- Batteripakken indeholder elektrolytter. Hvis elektrolytlækagen kommer i kontakt med din hud, skal du straks vaske af med sæbe og vand. Søg lægehjælp i tilfælde af øjenkontakt og skyl straks øjnene med rigeligt vand i mindst 15 minutter uden at gnide.

5) Strømforsyning

- Afbryd strømforsyningen:
 - Før du rydder en blokering
 - Inden du kontrollerer, rengør eller arbejder på maskinen
 - Efter at have ramt en fremmed genstand og for at inspicere maskinen for skader.
- Undersøg regelmæssigt ledningen, stikket, indkapslingen og andre dele. Hvis der findes skader eller tegn på ældning, skal du straks stoppe med at bruge den.

ADVARSEL

- Brug IKKE en beskadiget strømforsyning. Hvis netledningen er beskadiget, skal den udskiftes af producenten, dens serviceagent eller lignende kvalificerede personer for at undgå fare. Hvis forlængeret er defekt, skal du udskifte det med et 10 meter langt kabel som godkendt af Segway.
- Tilslut IKKE en beskadiget ledning til strømforsyningen, og rør IKKE ved en beskadiget ledning eller et beskadiget forlængeret, før den/det tages ud af stikkontakten. Beskadigede ledninger kan føre til kontakt med strømførende dele.
- Brug IKKE strømforsyningen sammen med noget andet produkt eller batteri, da der ellers er risiko for personskade, brand eller elektrisk stød. Produktsikkerheden kan ikke garanteres med andre end originale batterier.
- Oplad IKKE, når batteriet lækker.
- Hold forlængeret væk fra farlige dele i bevægelse for at undgå beskadigelse af ledningerne, hvilket kan føre til kontakt med strømførende dele.

Anbefaling

Tilslut kun plæneklipperen og/eller dens perifere enheder til et forsyningskredsløb beskyttet af en fejlstrømsafbryder (HPFI-afbryder) med en udløsningsstrøm på ikke mere end 30 mA.

6) Opbevaring

- Sluk for plæneklipperen inden opbevaring, og lad den helt op for at undgå overafledning, hvilket kan forårsage permanent skade.
- Opbevares køligt og tørt indendørs. Eksponering for sollys og ekstreme temperaturer (både varmt og koldt) vil fremskynde aldring af komponenterne og kan beskadige batteriet permanent.
- Hold plæneklipperen, ladestationen og strømforsyningen væk fra varmekilder (såsom ovne, radiatorer osv.) eller kemikalier. Beskyt strømforsyningen mod fugt, og opbevar den på et godt ventileret sted.

ADVARSEL

Når der er risiko for tordenvejr, skal du tage strømforsyningen ud af stikkontakten. Frakobl alle kabler og ledninger, der er forbundet til ladestationen. Tilslut igen, når der ikke længere er risiko for torden.

Vinteropbevaring

- Plæneklipperen
Rengør plæneklipperen grundigt inden opbevaring. Kontrollér komponenter, der udsættes for slid, såsom knivene. Reparér eller udskift dem, hvis de er i dårlig stand. Opbevar plæneklipperen et tørt og frostfrit sted, mens den står på alle hjul, helst i originalemballagen.
- Ladestationen
Træk strømforsyningsstikket ud af stikkontakten, og tag stikket ud af ladestationen. Flyt ladestationen indendørs og hold den væk fra direkte sollys.

7) Genbrug og bortskaffelse ved endt levetid

Dette produkt må IKKE behandles som husholdningsaffald. For information om genbrug skal du kontakte din husholdningsaffaldstjeneste, din kommune eller dit salgssted.

⚠ ADVARSEL

Bortskaf IKKE dette produkt på en losseplads, ved forbrænding eller ved at blande det med husholdningsaffald. Fare eller alvorlig personskade kan opstå på grund af de elektriske komponenter.

8) Andet

- Hold alle skruer, møtrikker og bolte spændt for at sikre normal og sikker drift.
- Dæk, der leveres med produktet, skal monteres på hjulet af en professionel reparatør. Det er kompliceret at fjerne hjulene, og forkert montering kan føre til ustabilitet og funktionsfejl.
- For at sikre at slidbanen har et godt greb, skal du holde drivhjulene (baghjulene) rene ved at fjerne mudderet med en børste.
- Chassisrummet bag stødfangeren må KUN åbnes og lukkes igen af autoriserede serviceteknikere. Hvis du selv udfører service, kan det annullere den begrænsede garanti.

BEMÆRK: FORSIKRING

DINE FORSIKRINGER DÆKKER MULIGVIS IKKE ULYKKER, DER INVOLVERER BRUGEN AF DETTE PRODUKT. KONTAKT FORSIKRINGSSKABET ELLER -AGENTEN FOR AT AFGØRE, OM DER ER DÆKNING.

4 Begrænset garanti

Aftale om begrænset garanti og voldgift (EMEA)

BEMÆRK: LÆS VENLIGST DENNE AFTALE OM BEGRÆNSET GARANTI OG VOLDGIFT, OG BEHOLD DENNE AFTALE TIL FREMTIDIG REFERENCE. DENNE AFTALE INDEHOLDER KLAUSULER FOR BEGRÆNSET GARANTI FOR FORBRUGERE I EUROPA, MELLEMLØSTEN OG AFRIKA (“EMEA”) OG VOLDGIFTSKLAUSULER MED HENSYN TIL NAVIMOW (“PRODUKT”) OG ENHVER TRANSAKTION OG KRAV RELATERET TIL OG/ELLER OPSTÅET UD FRA PRODUKTET.

DETTE ER EN BINDENDE JURIDISK AFTALE (“AFTALE”) MELLEML DIG (ENTEN ET INDIVID ELLER EN ENHED) OG PRODUCENTEN (“WILLAND”), SEGWAY DISCOVERY B.V. EMEA (“SEGWAY”) OG DERES AFFILIATER (INKLUSIVE MEN IKKE BEGRÆNSET TIL DERES MODERSKAB, DATTERSLSKAB, TILKNYTTEDE VIRKSOMHEDER, FORGÆNGER, EFTERFØLGENDE SELSKAB, ADMINISTRATORER, EFTERFØLGERE, TILDELTE, OFFICERER, DIREKTØRER, LEDERE, MEDARBEJDERE, MEDLEMMER, AKTIONÆRER OG AGENTER, ADVOKATER, FORSIKRINGSSKABER ELLER GENFORSIKRINGSSKABER) (SAMLET “SEGWAY-PARTER”), SEGWAY-FORHANDLERE (SOM DEFINERET NEDENFOR) OG DERES AFFILIATER (SAMLET “SEGWAY-FORHANDLERE”).

KØB AF PRODUKTET, ÅBNING AF PRODUKTEMLLAGEN, BRUG AF PRODUKTET, OPBEVARING AF PRODUKTET, UDNYTTELSE AF FORDELENE VED DENNE AFTALE ELLER ELEKTRONISK ACCEPT AF DENNE AFTALE UDGØR ACCEPT AF DENNE AFTALE. I TILFÆLDE AF AT DU/I SOM FORÆLDER/FORÆLDRE ELLER VÆRGE(R) KØBER DETTE PRODUKT PÅ VEGNE AF ELLER FOR DINE BØRN, GIVER DU HERMED SAMTYKKE TIL OG GODKENDER I ALLE HENSEENDER VILKÅRENE OG BETINGELSERNE I AFTALEN OG ACCEPTERER AT BÅDE DU/I OG DINE/JERES BØRN ER BUNDET AF DENNE AFTALE. DU/I ANERKENDER OG ACCEPTERER, AT DU/I MODTAGER TILSTRÆKKELIG VARSEL OM DENNE AFTALE, OG DU/I ACCEPTERER DENNE AFTALE.

Registrér produktets serienummer

Registrér dit produkts serienummer nedenfor. Du kan finde serienummeret på ydersiden af forsendelsesboksen eller i bunden af produktet.

Serienummer her

(Serienummeret er vist som eksempel)

1. Begrænset garanti

Denne begrænsede garanti dækker kun mangler på ethvert materiale eller kvaliteten af produktet og komponenterne, når produktet og komponenter dertil bruges under normale og almindelige forhold. I tilfælde af, at der opstår en defekt, der er omfattet af denne begrænsede garanti, vil Segway og/eller andre Segway-parter efter eget skøn reparere eller udskifte det defekte produkt eller komponenter dertil i overensstemmelse med denne begrænsede garanti. Den gældende begrænset garanti-periode for den begrænsede garanti begynder på datoen for det oprindelige køb af produktet fra enten Segway, Segways autoriserede forhandler, Segways autoriserede distributør eller en autoriseret forhandler (der hver er “Segway-forhandler” eller samlet “Segway-forhandlererne”).

	Komponentens navn			Begrænset garanti – periode
Plæneklipperhus	<ul style="list-style-type: none">Ramme Køremotor Knivmotor Skærehøjdemotor Drivkortmodul CU-kortmodul Opladningskortmodul	<ul style="list-style-type: none">Sensormodul IoT-kort GPS-modul Hall-kort LED-kort Ultralydsmodul 868-antenne	<ul style="list-style-type: none">GPS-antenne Knivskiveenhed GNSS-antenne	<p>3 år (H500E, H800E)</p> <p>4 år (H1500E, H3000E)</p>
Batteri	<ul style="list-style-type: none">Batteri			<p>2 år (H500E, H800E)</p> <p>3 år (H1500E, H3000E)</p>
Andre komponenter	<ul style="list-style-type: none">Strømforsyning Opladestykker Strømforsyningskabel Summer	<ul style="list-style-type: none">Regnsensor Kontrolpanel/knapper Stopknap Universalhjul	<ul style="list-style-type: none">Antennemonteringsenhed Alle kabler	<p>1 år</p>
Komponenter, der er udsat for slid	<ul style="list-style-type: none">Kniv Pyntestykke Pakning Tætningsstrimler Løftehåndtagsdæksel Øvre dæksel	<ul style="list-style-type: none">Gennemsigtige tønde – enhed Bagskærmsenhed Gummiprop Ladestationsenhed Batteridæksel Stødfangerenhed	<ul style="list-style-type: none">Ultralydsdæksel Pløkker til fastgørelse af forlængerkablet	<p>90 dage</p>

DENNE BEGRÆNSEDE GARANTI HERI ER DEN ENESTE UDTRYKKELIGE GARANTI, DER ER GÆLDENDE FOR PRODUKTET OG DETS KOMPONENTDELE, TILBEHØR OG SERVICEREPARATIONER. SEGWAY OG SEGWAY-PARTER FRASKRIVER SIG ALLE ANDRE UDTRYKKELIGE GARANTIER. SEGWAY OG ANDRE SEGWAY-PARTER BEGRÆNSER VARIGHEDEN OG AFHJÆLPNINGEN AF ALLE UNDERFORSTÅEDE GARANTIER, HERUNDER UDEN BEGRÆNSNING AF GARANTIERNE FOR SALGBARHED OG EGNETHED TIL ET BESTEMT FORMÅL, HVAD ENTEN DET FØLGER AF LOVGIVNING, HANDELSFORLØB, GENNEMFØRELSESFORLØB, BRUG AF HANDEL ELLER PÅ ANDEN MÅDE, TIL VARIGHEDEN AF DENNE UDTRYKKELIGE BEGRÆNSEDE GARANTI. DENNE BEGRÆNSEDE GARANTI HVERKEN PÅVIRKER ELLER BEGRÆNSER PÅ NOGEN MÅDE DE LOVGIVENDE RETTIGHEDER, DU KAN HAVE SOM FORBRUGER, FOR EKSEMPEL MED HENSYN TIL OVERENSSTEMMELSE.

2. Begrænset garanti – serviceproces

Segways onlinetjenester er tilgængelige på navimow.segway.com. Under din brug af produktet mener du, at produktet eller dets komponent er defekt og/eller ikke fungerer korrekt. STOP MED AT BRUGE PRODUKTET, OG OPBEVAR PRODUKTET KORREKT. DIN FORTSATTE ANVENDELSE AF PRODUKTET UNDER EN SÅDAN OMSTÆNDIGHED KAN FORÅRSAGE ALVORLIG PERSONSKADE ELLER ENDDA DØD FOR DIG ELLER ANDRE OG/ELLER SKADER PÅ EJENDOM. Derefter bedes du straks kontakte Segway på support-navimow@rlm.segway.com. Segways tekniske supportpersonale er tilgængeligt for at hjælpe dig online eller over telefonen med at diagnosticere defekten. og, hvis nogen, give yderligere instruktioner. I tilfælde af, at garantiservice er påkrævet, skal du forberede følgende materialer, herunder (i) bevis for det originale køb af produktet fra Segway-forhandlere, (ii) produktets serienummer og (iii) en beskrivelse af defekten, hvis det er relevant. Efter bekræftelsen af din berettigelse til begrænset garanti-beskyttelse og/eller tjenester, skal du angive dit navn, din e-mailadresse, din postadresse og dit telefonnummer til os, vil vi guide dig til at få vores service. Hvis du vil returnere den defekte enhed til service, skal du er ansvarlig for omkostningerne ved forsendelse og risikoen for tab og skader, der kan opstå under forsendelsen fra dig til Segway og (ii) fra Segway til dig. Du skal inkludere dit defekte produkt eller komponenten i den originale eller Segway-godkendte emballage, som vil blive leveret på din omkostning, til forsendelse af produktet til Segway. Du skal forsvare, skadesløsholde og holde Segway uskadelig for ethvert tab og/eller skader, der kan være forårsaget af ukorrekt emballage eller forsendelse af produktet eller komponenten til Segway.

En autoriseret serviceudbyder eller Segway-forhandler vil inspicere dit returnerede produkt. Hvis Segway med rimelighed fastslår, at problemet ikke er dækket af den begrænsede garanti, underretter Segway dig og informerer dig om service- eller udskiftningsalternativer, der er tilgængelige for dig på et gebyrbasis, ellers vil Segway returnere dit produkt til dig ikke-udbedret, og i et sådant tilfælde er du ansvarlig for omkostningerne ved forsendelse og forsikring af forsendelse af dit produkt fra Segway til dig. I tilfælde af at service ikke er dækket af den begrænsede garanti, og du afviser en betalt service, der anbefales af Segway-parter og/eller Segway-forhandler, forstår du og anerkender, at manglende reparation og/eller service af produktet kan øge risikoen for svigt og/eller produktfejl som kan resultere i alvorlige skader på ejendom, alvorlig personskade eller død, og du accepterer, at dette er dit informerede samtykke til at tage en sådan risiko.

For en returnering, der er berettiget til garantibeskyttelse og/eller service, vil Segway forsyne defekte produkter med nye eller istandsatte dele af samme eller lignende art uden omkostninger for dig for servicen. Dele, der erstattes af Segway, beholdes af Segway og bliver Segways ejendom. I en sådan situation betaler Segway rimelige forsendelsesomkostninger for returnering af produktet til dig.

141

DA

142

DA

3. Begrænset garanti – kvalifikation

3.1 Din serviceanmodning skal modtages af Segway inden for begrænset garanti-perioden som beskrevet ovenfor, og Segway skal modtage dit produkt i overensstemmelse med begrænset garanti-serviceprocessen defineret ovenfor.

3.2 Dit produkt skal købes fra en autoriseret Segway-forhandler.

3.3 Du skal levere den originale købskvittering.

3.4 På dit produkt skal serienummeret være læseligt, utilsløret, urørt og ikke-modificeret.

3.5 Alle manipulationsresistente tætninger skal være intakte, på plads og ikke-modificerede.

4. Begrænset garanti – undtagelser

Denne begrænsede garanti beskriver den service, der er tilgængelig for dig, hvis dit produkt kræver garantiservice, og du har muligvis yderligere beskyttelse i henhold til dine lokale love. Denne begrænsede garanti dækker ikke og ekskluderer skader på dit produkt eller enhver komponent deraf forårsaget af:

4.1 Misbrug, letsindighed, uagtsomhed eller kommerciel brug.

4.2 Forkert opladning, opbevaring, vedligeholdelse eller drift af produktet, der ikke er i overensstemmelse med instruktioner eller begrænsninger som angivet i brugermaterialet.

4.3 Produktet bruges på en måde, der ikke er i overensstemmelse med gældende love og regler.

4.4 Brug af produktet af personer med utilstrækkelig erfaring.

4.5 Ulykke, kollision, brandskade, vandskade, kemisk skade, brug af produktet uden for produktets arbejdstemperaturområde, højtryksvandspray, jordskælv, tab.

4.6 Modifikationer af mekaniske dele, modifikationer af elektroniske dele eller modifikationer af software indlejret i produktet.

4.7 Service, reparation og vedligeholdelse udført af uautoriserede udbydere.

4.8 Kosmetiske skader.

4.9 Brug af produktet sammen med tredjeparts produkt, komponent eller tilbehør.

4.10 Den normale forringelse af sliddele.

4.11 Brug af produktet med sliddele, der allerede burde være udskiftet.

5. ANSVARFRASKRIVELSE OG -BEGRÆNSNING

5.1 SEGWAY-PARTER PÅTAGER SIG IKKE OG BEMYNDIGER IKKE NOGEN TIL PÅ DERES VEGNE AT PÅTAGE SIG NOGEN ANDEN FORPLIGTELSE ELLER ANSVAR I FORBINDELSE MED PRODUKTET, DETS KOMPONENTER, TILBEHØR, SERVICEREPARATION ELLER DENNE BEGRÆNSEDE GARANTI.

5.2 SEGWAY-PARTER OG SEGWAY-FORHANDLERE ER IKKE ANSVARLIGE FOR TAB FORÅRSAGET AF BRUG AF ET PRODUKT, DETS KOMPONENTDELE, TILBEHØR ELLER FOR GENER ELLER ANDET TAB ELLER SKADER, DER KAN VÆRE FORÅRSAGET AF EN DEFEKT I ET PRODUKT, DETS KOMPONENTDELE, TILBEHØR, SERVICEREPARATION ELLER ANDRE SKADER ELLER FØLGESKADER, DU MÅTTE HAVE SOM FØLGE AF DEFEKTER I ET PRODUKT, DETS KOMPONENTDELE, TILBEHØR ELLER SERVICEREPARATION. NOGLE LANDE TILLADER IKKE UDELUKKELSE ELLER BEGRÆNSNING AF TILFÆLDIGE SKADER ELLER FØLGESKADER, SÅ OVENNÆVNTE BEGRÆNSNING ELLER UDELUKKELSE GÆLDER MULIGVIS IKKE FOR DIG I DET OMFANG, DET ER TILLADT AF GÆLDENDE LOVGIVNING.

5.3 UNDER INGEN OMSTÆNDIGHEDER OVERSTIGER SEGWAY-PARTERNES OG SEGWAY-FORHANDLERENS SAMLEDE ANSVAR FOR ALLE KRAV I HENHOLD TIL ENHVER GÆLDENDE LOV ELLER TEORI, I FÆLLESSKAB ELLER SEPARAT, SOM FØLGE AF ELLER RELATERET TIL KØB AF PRODUKTET, BRUG AF PRODUKTET, KONTRAKTBRUD, ERSTATNINGSRETEN (INKLUSIVE UAGTSOMHED) ELLER PÅ ANDEN MÅDE, PLIGTEN TIL AT REPARERE ELLER UDSKIFTE ETHVERT DEFEKT PRODUKT, YDERLIGERE UNDERLAGT SEGWAYS ENESTE SKØN. UNDER INGEN OMSTÆNDIGHEDER ER SEGWAY-PARTER OG SEGWAY-FORHANDLERE ANSVARLIGE OVER FOR NOGEN PERSON FOR FØLGESKADER, INDIREKTE, TILFÆLDIGE, SPECIELLE, EKSEMPLARISKE, STRAFFENDE ELLER FORSTÆRKEDE SKADER, DER OPSTÅR SOM FØLGE AF ELLER RELATERER TIL OG/ELLER I FORBINDELSE MED KØB AF PRODUKTET, OVERTRÆDELSE AF DENNE AFTALE ELLER PRODUCENTENS PLIGTER UANSET (A) OM SÅDANNE SKADER VAR FORUDSIGELIGE, (B) OM SEGWAY ELLER ANDRE SEGWAY-PARTER BLEV UNDERRETTET OM MULIGHEDEN FOR SÅDANNE SKADER OG (C) DEN JURIDISKE ELLER RETFÆRDIGE TEORI (KONTRAKT, ERSTATNING ELLER PÅ ANDEN MÅDE) SOM KRAVET ER BASERET PÅ, MEDMINDRE SÅDANNE BEGRÆNSNINGER OG UDELUKKELSER ER FORBUDT I HENHOLD TIL GÆLDENDE LOVGIVNING. OVENNÆVNTE BEGRÆNSNINGER ELLER UDELUKKELSER GÆLDER, SELVOM EN FORURETTET KUNDES ELLER ENHVER ANDEN PERSONS (SOM MULIGVIS HAR RET ELLER KRAV I HENHOLD TIL DENNE AFTALE VED LOV ELLER RETFÆRDIGHED) RETSMIDLER UNDER DENNE AFTALE IKKE OPFYLDER DERES VÆSENTLIGE FORMÅL. I TILFÆLDE AF AT NOGLE LANDE IKKE TILLADER UDELUKKELSE ELLER BEGRÆNSNING AF VISSE ELLER ALLE DE FOREGÅENDE SKADER, SÅ, I DET OMFANG SÅDANNE BEGRÆNSNINGER ELLER UDELUKKELSER IKKE ER TILLADT VED LOV, GÆLDER DE MULIGVIS IKKE FOR DIG. NOGLE LANDE TILLADER IKKE UDELUKKELSE ELLER BEGRÆNSNING AF TILFÆLDIGE SKADER ELLER FØLGESKADER, SÅ I DET OMFANG SÅDANNE BEGRÆNSNINGER ELLER UDELUKKELSER IKKE ER TILLADT VED LOV, GÆLDER OVENSTÅENDE BEGRÆNSNING ELLER UDELUKKELSE MULIGVIS IKKE FOR DIG.

5.4 I det omfang det er tilladt i henhold til gældende lov, FRASKRIVER SEGWAY-PARTER og SEGWAY-FORHANDLERE sig ethvert ansvar og er derved ikke ansvarlig for skader, herunder men ikke begrænset til død, legemsbeskadigelse eller skader på ejendom, der opstår på grund af eller i forbindelse med enhver adfærd (inklusive forseelse), handling (herunder manglende handling), passivitet, udeladelse eller uagtsomhed fra enhver autoriseret eller uautoriseret forhandler, distributør, grossist, detailhandler, serviceudbyder eller tredjepart, der er involveret i distributionen af produktet eller servicerne dertil. I det omfang det er tilladt i henhold til gældende lov, er de eksplicitte garantier og eventuelle garantier, der er angivet heri, de eneste garantier og erklæringer fra SEGWAY-PARTER over for DIG, enhver forbruger og/eller slutbruger, og SEGWAY-PARTER er ikke ansvarlige for andre garantier og/eller erklæringer, der måtte blive givet og/eller leveret af en anden person, medmindre SEGWAY-PARTER i skriftlig form udtrykkeligt har godkendt en sådan yderligere garanti og/eller repræsentation, der skal gives til forbruger eller slutbruger.

6. Krav, tvistbilæggelse og voldgift

KLAUSULERNE, DER ER INDEHOLDT HERI, ER JURIDISK BINDENDE MELLEM DIG (ENTEN ET INDIVID ELLER EN ENHED) OG SEGWAY DISCOVERY B.V., DETS AFFILIATER, SEGWAY-PARTER OG SEGWAY-FORHANDLERE. KLAUSULERNE, DER ER INDEHOLDT HERI, KAN PÅVIRKE DINE RETTIGHEDER, OG DET ER DIT ANSVAR AT LÆSE DE FØLGENDE AFSNIT. DU KAN FRAVÆLGE AFTALEN INDEN FOR 30 KALENDERDAGE FRA DET FØRSTE FORBRUGERKØB VED AT SENDE EN E-MAIL TIL OPTOUT@SEGWAY.COM OG GIVE DE RELEVANTE OPLYSNINGER. FOR FLERE DETALJER – SE AFSNIT 6.2.

6.1 Bindende voldgift

Segway-parter, Segway-forhandlere og dig er enige om, at alle tvister, kontroverser eller krav, der opstår som følge af, relateret til eller i forbindelse med denne aftale, den begrænsede garanti, salg, tilstand eller ydeevne af produktet, hvad enten det er baseret på kontrakt, skadegørende handling, svig, fejlagtig fremstilling eller anden juridisk teori ved lov eller egenkapital, herunder men ikke begrænset til krav ved dødsfald, personskade eller ejendomsskade, skal styres af og fortolkes i overensstemmelse med lovgivningen i Holland med undtagelse af dets konflikter med lovbestemmelser og i sidste ende løses af International Chamber of Commerce (ICC) i henhold til ICC-reglerne for voldgift (ICC Rules) fra 2021 for øjeblikket gældende, hvilke regler anses for at være indarbejdet ved henvisning i denne klausul. Desuden er parterne enige om, at:

i. Voldgiftsstedet er Amsterdam, Holland.

ii. Retten består af 3 voldgiftsdommere.

iii. Voldgiftssproget er engelsk.

Klausulen “Krav, tvistbilæggelse og obligatorisk voldgift” i afsnit 6 skal overleve ved ophør eller udløb af denne aftale og/eller begrænset garanti eller i tilfælde af, at denne aftale og/eller den begrænsede garanti holdes ugyldig eller undgåelig eller ikke kan håndhæves enten helt eller delvist af en kompetent domstolsinstitution med faktisk myndighed og jurisdiktion over dette spørgsmål.

6.2 Fravalg

DU KAN FRAVÆLGE DENNE TVISTBILÆGGESESPROCEDURE VED AT GIVE EN MEDDELELSE TIL SEGWAY ELLER SEGWAY-PARTER SENEST TREDIVE (30) KALENDERDAGE EFTER DATOEN FOR DEN FØRSTE FORBRUGERKØBERS KØB AF PRODUKTET. FOR AT FRAVÆLGE SKAL DU SENDE MEDDELELSE MED E-MAIL PÅ OPTOUT@SEGWAY.COM MED EMNELINJEN: "FRAVALG AF VOLDGIFT." FRAVALGSMEDDELELSEN VIA E-MAIL SKAL INDEHOLDE (A) DIT NAVN, E-MAILADRESSE, POSTADRESSE OG TELEFONNUMMER, (B) DATOEN, HVOR PRODUKTET BLEV KØBT, (C) PRODUKTMODELNAVN ELLER -MODELNUMMER OG (D) SERIENUMMER. ALTERNATIVT KAN DU FRAVÆLGE VED AT SENDE ET FRAVALGSBREV TIL SEGWAY PÅ Dynamostraat 7, 1014BN, Amsterdam, Holland. CERTIFICERET POST INDEN FOR TREDIVE (30) KALENDERDAGE FRA DATOEN FOR DEN FØRSTE SLUTBRUGERS KØB AF PRODUKTET FRA SEGWAY-FORHANDLER. FRAVALGSBREVET SKAL INDEHOLDE FØLGENDE INFORMATION: (A) DIT NAVN, E-MAILADRESSE, POSTADRESSE OG TELEFONNUMMER, (B) DATOEN, HVOR PRODUKTET BLEV KØBT, (C) PRODUKTMODELNAVN ELLER -MODELNUMMER, (D) SERIENUMMER OG (E) EN ERKLÆRING SOM FØLGENDE: OVENNÆVNTE FORBRUGER FRAVÆLGER TVISTBILÆGGESESPROCEDUREN I HENHOLD TIL DENNE BEGRÆNSEDE GARANTI. DISSE ER DE ENESTE TO MÅDER TIL FRAVALG AF DENNE TVISTBILÆGGESESPROCEDURE. FRAVALG AF DENNE TVISTBILÆGGESESPROCEDURE PÅVIRKER IKKE DÆKNINGEN AF DEN BEGRÆNSEDE GARANTI PÅ NOGEN MÅDE, OG DU VIL FORTSAT KUNNE OPNÅ FORDELENE VED DEN BEGRÆNSEDE GARANTI.

6.3 Sprog

Denne aftale kan oversættes til forskellige sprog. I tilfælde af konflikt har den engelske version forrang og vil være styrende.

5 OVERSÆTTELSE AF DEN OPRINDELIGE OVERENSSTEMMELSESERKLÆRING

Producent

Navn: Willand (Beijing) Technology Co., LTD.

Adresse: Room 203, A1 Bldg. Zhongguancun Dongsheng Technology Park (Northern Territory), No. 66, Xixiaokou Rd, Haidian Dist., Beijing, Kina.

Autoriseret repræsentant

Navn: Segway Discovery B.V.

Adresse: Dynamostraat 7, 1014BN Amsterdam, Holland

Erklæringen gælder for

Generisk betegnelse: Robotplæneklipper

Produktnavn: Navimow

Type/model: H500E/H800E/H1500E/H3000E

Serienummer: S2RA x yyyy x yyyy/S2RC x yyyy x yyyy/S2RE x yyyy x yyyy/S2RT x yyyy x yyyy

("x" angiver ethvert bogstav fra A-Z undtagen O og I, "y" angiver ethvert bogstav fra A-Z undtagen O og I eller et vilkårligt tal fra 0 til 9)

Denne overensstemmelseerklæring udstedes under producentens eget ansvar.

Genstanden, som erklæringen gælder for, og som er beskrevet ovenfor, er i overensstemmelse med følgende EU-direktiver:

1. Direktiv om radioudstyr (2014/53/EU)
2. Maskindirektiv (2006/42/EF)
3. RoHS-direktiv (2011/65/EU) og ændringsdirektiv ((EU) 2015/863)

Overensstemmelse med disse direktiver er blevet vurderet for dette produkt ved at demonstrere overholdelse af følgende harmoniserede standarder og/eller tekniske specifikationer:

EN 60335-1:2012+A11:2014+AC:2014+A13:2017+A1:2019+A14:2019+A2:2019

EN 50636-2-107:2015+A1:2018+A2:2020

EN IEC 61000-3-2:2019+A1:2021

EN 61000-3-3:2013+A1:2019ETSI

EN IEC 55014-1:2021

EN IEC 55014-2:2021

ETSI EN 300 220-1 V3.1.1

ETSI EN 300 220-2 V3.1.1

ETSI EN 300 328 V2.2.2

ETSI EN 303 413 V1.1.1

EN 50665:2017

EN 62133-2:2017

ETSI EN 301 908-1 V13.1.1

EN 301 908-13 V13.1.1

ETSI EN 301 489-1 V2.2.3

ETSI EN 301 489 - 3 V2.2.0

ETSI EN 301 489-17 V3.2.4

ETSI EN 301 489-19 V2.1.1

ETSI EN 301 489-52 V1.2.1

ETSI EN 301 511 V12.5.1

EN IEC 62311:2020

EN IEC 63000:2018

Underskrevet for og på vegne af: Willand (Beijing) Technology Co., LTD.

Sted: Changzhou, Kina

Navn: Crystal Zhuang

Underskrift: 

Dato: 22-02-2022

Funktion: Certifikationschef

6 Certificeringer

European Union Compliance Statement

Oplysninger om bortskaffelse for brugere af elektrisk og elektronisk udstyr



Dette symbol på produktet eller emballagen angiver, at brugte elektriske og elektroniske produkter ikke må blandes med usorteret kommunalt affald. For korrekt behandling er det dit ansvar at bortskaffe dit affaldsudstyr ved at sørge for at aflevere det til bestemte indsamlingssteder.

Korrekt bortskaffelse af dette produkt hjælper med at spare værdifulde ressourcer og forhindre eventuelle negative virkninger på menneskers sundhed og miljøet, som ellers kan opstå på grund af uhensigtsmæssig affaldshåndtering.

For at returnere din brugte enhed skal du bruge retur- og indsamlingssystemerne eller kontakte forhandleren, hvor produktet blev købt, hvilket er gratis. Kontakt din lokale myndighed for yderligere oplysninger om dit nærmeste udpegede indsamlingssted.

Sanktioner kan være gældende for forkert bortskaffelse af dette affald i overensstemmelse med din nationale lovgivning.

Oplysninger om bortskaffelse for brugere af brugte batterier



Dette symbol betyder, at batterier og akkumulatorer ved endt levetid ikke må blandes med usorteret kommunalt affald. Din deltagelse er en vigtig del af bestræbelserne på at minimere batteriers og akkumulatorers indvirkning på miljøet og på menneskers sundhed. For korrekt genbrug kan du returnere dette produkt eller batterierne eller akkumulatorerne, det indeholder, til din leverandør eller til et bestemt indsamlingssted, hvilket er gratis.

Korrekt bortskaffelse af dette produkt hjælper med at spare værdifulde ressourcer og forhindre eventuelle negative virkninger på menneskers sundhed og miljøet, som ellers kan opstå på grund af uhensigtsmæssig affaldshåndtering.

Sanktioner kan være gældende for forkert bortskaffelse af dette affald i overensstemmelse med din nationale lovgivning.

der er separate opsamlingsystemer til brugte batterier og akkumulatorer.

Bortskaf batterier og akkumulatorer korrekt i dit lokale affaldsindsamlings-/genbrugscenter.

Direktiv om begrænsning af brugen af visse farlige stoffer (RoHS)

Willand (Beijing) Technology Co., LTD. erklærer hermed, at hele produktet inklusive dele (kabler, ledninger osv.) opfylder kravene i RoHS-direktiv 2011/65/EU og ændring Kommissionens delegerede direktiv (EU) 2015/863 om begrænsning af brugen af visse farlige stoffer i elektrisk og elektronisk udstyr ("RoHS omarbejdet" eller "RoHS 2.0").

Direktivet om radioudstyr

Willand (Beijing) Technology Co., LTD. erklærer hermed, at produktet i dette afsnit overholder de væsentlige krav og andre relevante bestemmelser i Direktivet om radioudstyr 2014/53/EU.

Maskindirektiv

Willand (Beijing) Technology Co., LTD. erklærer hermed, at produktet i dette afsnit overholder de væsentlige krav og andre relevante bestemmelser i Maskindirektiv 2006/42/EF.

Bemyndiget repræsentant i Europa:



Segway Discovery B.V. Dynamostraat 7, 1014BN Amsterdam, Holland.

Willand (Beijing) Technology Co., LTD. erklærer hermed, at produktet opfylder de væsentlige krav og andre relevante bestemmelser i RoHS-direktiv 2011/65/EU og ændring Kommissionens delegerede direktiv (EU) 2015/863, Direktiv om radioudstyr 2014 /53/EU og Maskindirektiv 2006/42/EF.

Bluetooth	Frekvensbånd	2,4000-2,4835 GHz
	Maks. RF-effekt	20 mW

7 Kontakt os

Producent: Willand (Beijing) Technology Co., LTD.

Adresse: Room 203, A1 Bldg. Zhongguancun Dongsheng Technology Park (Northern Territory), No. 66, Xixiaokou Rd, Haidian Dist., Beijing, Kina.

Kontakt os, hvis du oplever problemer i forbindelse med drift, vedligeholdelse og sikkerhed eller fejl på din plæneklipper.

Bemyndiget repræsentant i Europa: Segway Discovery B.V., Dynamostraat 7, 1014BN Amsterdam, Holland

Bemyndiget repræsentant: Segway Discovery B.V., Hogehilweg 8 – 6. etage, 1101CC Amsterdam, Holland.

Website: navimow.segway.com